

4

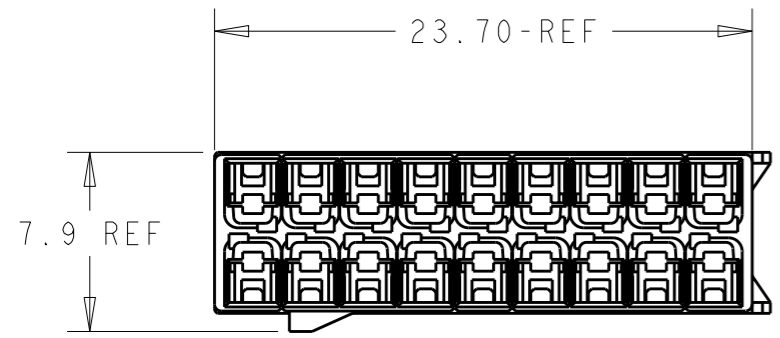
3

2

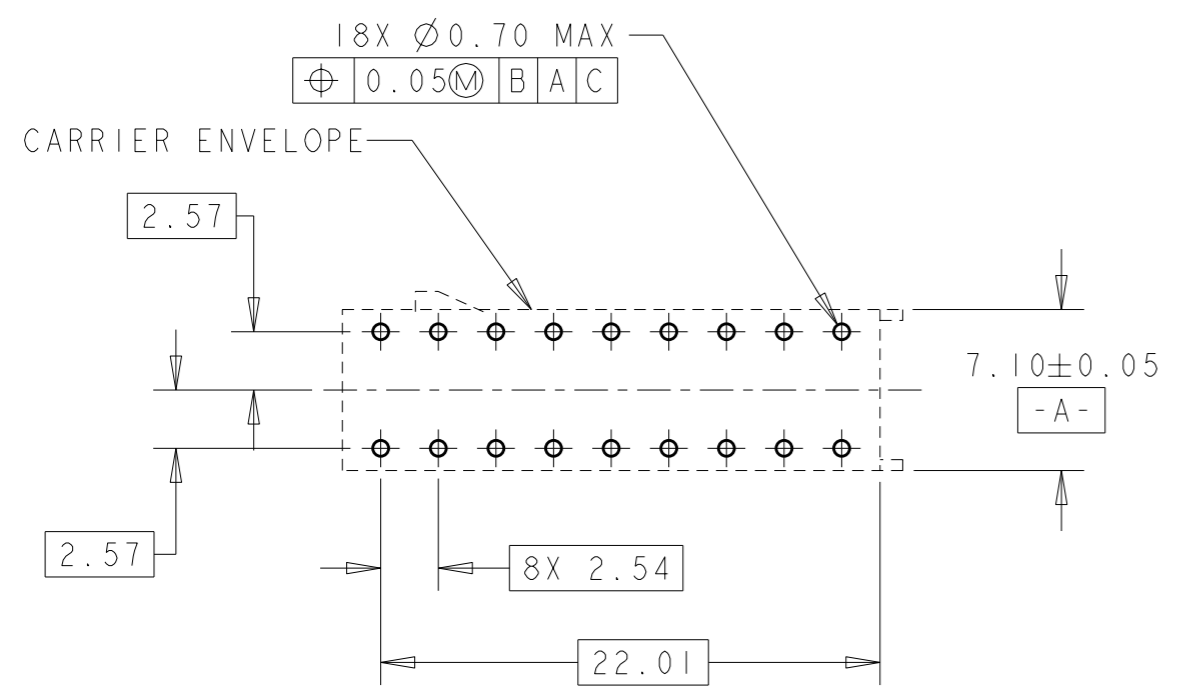
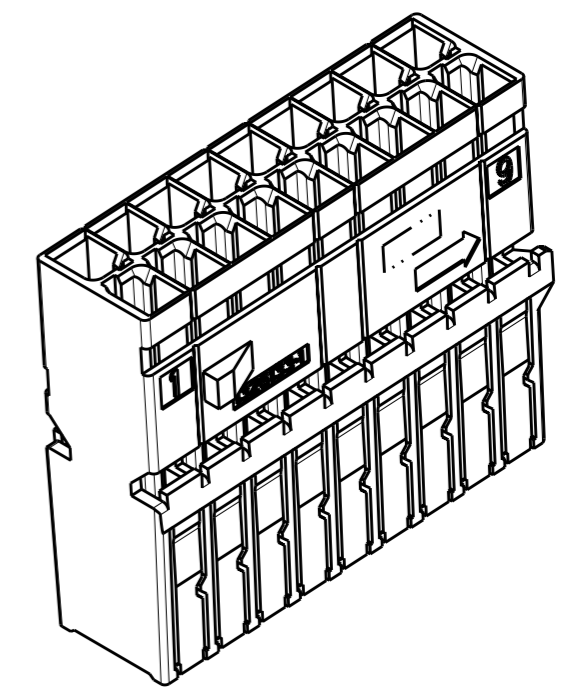
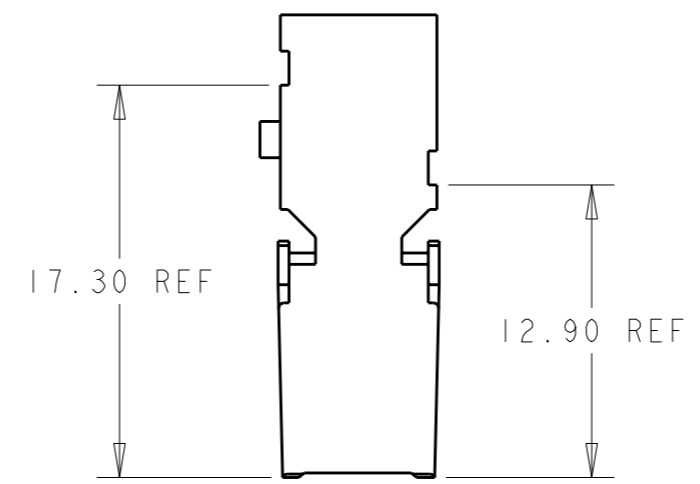
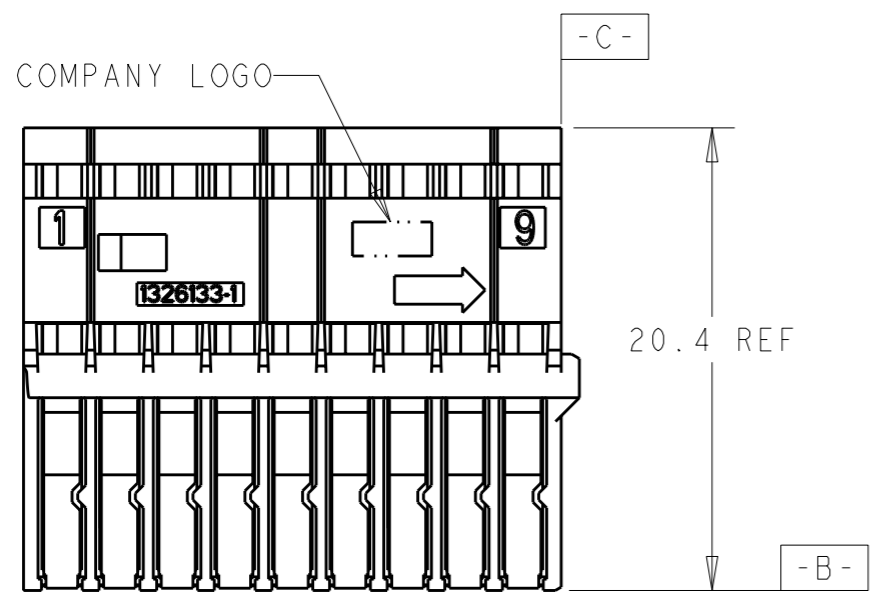
1

THIS DRAWING IS UNPUBLISHED. RELEASED FOR PUBLICATION 20
 © COPYRIGHT 20 BY TYCO ELECTRONICS CORPORATION. ALL RIGHTS RESERVED.

LOC	DIST	REVISIONS			
P	LTR	DESCRIPTION	DATE	DWN	APVD
FX	00				
		O	RELEASED PER EC# OK80-0282-02.	07JAN03	SPT AME
		A	REV PER EC OK80-0461-04	17DEC2004	RDW AME
		AI	REV PER ECR-10-011823	28MAY2010	VSS CS



- ⚠ MATERIAL: GLASS FILLED NYLON.
- RECEPTACLES SOLD SEPARATELY, SEE P/N 638551 (TIN) OR 1326028 (GOLD) FOR TERMINATION AND REELING OPTIONS.
 - REFER TO INSTRUCTION SHEET 408-8662 FOR PRODUCT ASSEMBLY AND DISASSEMBLY PROCEDURES.
 - REFER TO USCAR-2 REV 3 APRIL 2001 FOR PRODUCT SPECIFICATIONS.



BLACK	1326133-1
COLOR	PART NO.

<small>THIS DRAWING IS A CONTROLLED DOCUMENT FOR TYCO ELECTRONICS CORPORATION IT IS SUBJECT TO CHANGE AND THE CONTROLLING ENGINEERING ORGANIZATION SHOULD BE CONTACTED FOR THE LATEST REVISION.</small>		DWN C. CHAVEZ 07SEP01 CHK S. TOBEY 14SEP01 APVD S. TOBEY 14SEP01		Tyco Electronics Harrisburg, PA 17105-3608	
DIMENSIONS: mm 		TOLERANCES UNLESS OTHERWISE SPECIFIED: 0 PLC ± 1 PLC ±0.1 2 PLC ±0.05 3 PLC ± 4 PLC ± ANGLES ±1°		NAME RECEPTACLE HOUSING, 18 POSITION, 0.64 mm, LAC	
MATERIAL - ⚠ FINISH -		PRODUCT SPEC - APPLICATION SPEC - WEIGHT -		SIZE A3 CAGE CODE 00779 DRAWING NO C-1326133 RESTRICTED TO -	
CUSTOMER DRAWING				SCALE 3:1 SHEET 1 OF 1 REV AI	