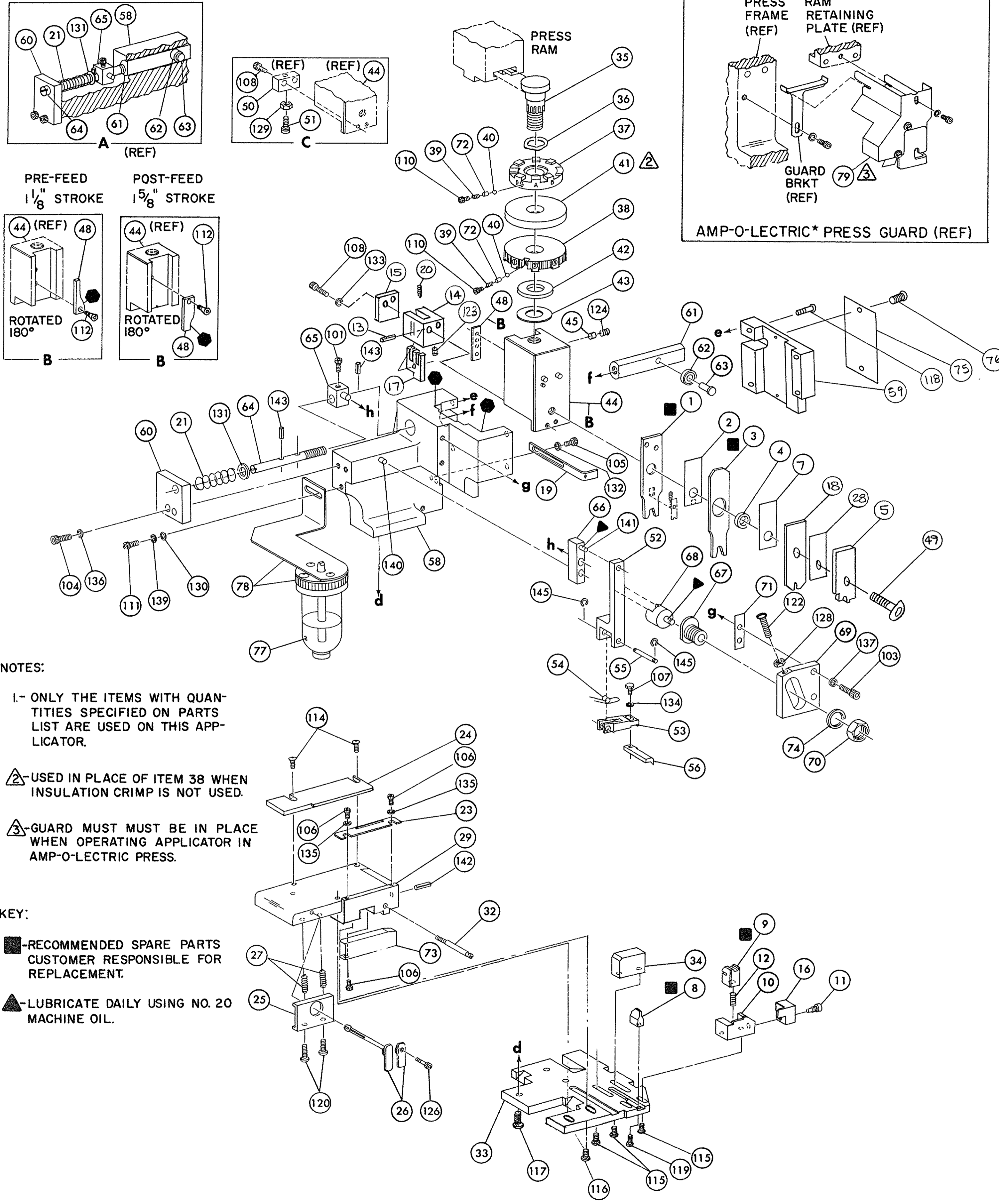


THIS IS A CONTROLLED DOCUMENT.



- NOTES:**
- I- ONLY THE ITEMS WITH QUANTITIES SPECIFIED ON PARTS LIST ARE USED ON THIS APPLICATOR.
  - △ USED IN PLACE OF ITEM 38 WHEN INSULATION CRIMP IS NOT USED.
  - △ GUARD MUST BE IN PLACE WHEN OPERATING APPLICATOR IN AMP-O-LECTRIC PRESS.
- KEY:**
- -RECOMMENDED SPARE PARTS CUSTOMER RESPONSIBLE FOR REPLACEMENT.
  - ▲ -LUBRICATE DAILY USING NO. 20 MACHINE OIL.

QTY	PART NO	DESCRIPTION	ITEM NO	QTY	PART NO	DESCRIPTION	ITEM NO
2	21045-3	RING, RETAINING 'C' (.187 DIA) FEED FINGER PIN	145	1	454220-1	CAP, HOUSING	59
2	5-21028-1	PIN, SLOT SPR (.125 DIA X .50) ADJ ROD	144	1	454485-1	HOUSING	58
1	4-21028-0	PIN, SLOT SPR (.093 DIA X .75) STR G PLATE	142	1	455652-1	PAWL, FEED	57
1	1-21030-1	PIN, DOWEL (.187 DIA X .50) LEVER	141	1	240624-1	PIN, FEED FINGER	56
1	1-21030-6	PIN, DOWEL (.187 DIA X 1.25) HOUSING	140	1	691499-1	SPRING, FEED FINGER	55
1	21024-5	WASHER, LOCK (NO 10) LUB ASSY	139	1	455851-1	FINGER, FEED	54
1	21024-5	WASHER, LOCK (NO 10) STRIP GUIDE ADJ BLOCK	138	1	455679-1	LEVER, TERMINAL FEED ARM	53
2	21024-5	WASHER, LOCK (NO 10) ADJ PLATE	137			BUMPER, HOLDDOWN	52
2	21024-5	WASHER, LOCK (NO 10) FEED GUIDE ROD	136			SPACER, TONKER	51
3	21057-2	WASHER, LOCK (NO 4) FRONT STRIP GUIDE	135	1	7-21002-9	BOLT, CRIMPER	50
1	21024-4	WASHER, LOCK (NO 8) FEED FINGER	134	1	690501-4	CAM POST FEED 1/8 STROKE	49
2	21024-4	WASHER, LOCK (NO 8) DEPRESSOR	133				48
1	21024-4	WASHER, LOCK (NO 8) STRIPPER	132		459456-1	APPLICATOR, BASIC (SUB ASSY)	47
1	21899-4	WASHER, FLAT (5/16 DIA) SCREW ADJ	131	1	690191-1	PLUG, NYLON	46
1	21899-2	WASHER, FLAT (NO 10) LUB ASSY	130	1	455673-1	RAM	45
1	21068-5	NUT, HEX MACH (6-32) HOLDDOWN	129	1	690125-1	WASHER, LAMINATED	44
1	21068-5	NUT, HEX MACH (6-32) FEED ADJ	128	1	690124-4	WASHER, RAM	43
			127			DISC, SPACER	42
			126	2	23241-6	BALL, STEEL	41
	22353-8	SCR, SHLD. (.187 DIA X .250 LG) DRAG LEVER	125	2	690170-1	SPRING, COMPRESSION	40
1	21009-2	SCR, SKT SET (1/4-20 X .25) (LOC-WEL) RAM	124	1	690142-1	DISC, INSULATION	39
1	2-21008-1	SCR, SKT SET (4-40 X .25) (LOC-WEL) HOLD DOWN	123	1	1-690141-0	DISC, WIRE	38
1	3-21064-2	SCR, RD HD MACH (6-32 X 1.50) FEED ADJ	122	1	22480-5	WASHER, SPRING	37
			121	1	690212-1	POST, RAM	36
2	2-21002-9	SCR, BUT HD SKT CAP (10-32 X .75) DRAG	120			SUPPORT, TERMINAL	35
1	2-21002-9	SCR, BUT HD SKT CAP (8-32 X .38) (LOC-WEL) ANVIL	119	1	458832-1	PLATE, BASE	34
4	2-21002-9	SCR, BUT HD SKT CAP (10-32 X .75) CAP	118	1	690432-3	SCREW, ADJUSTMENT	33
3	2-21002-7	SCR, BUT HD SKT CAP (1/4-20 X .62) HOUSING	117				32
2	2-21002-7	SCR, BUT HD SKT CAP (10-32 X .50) SG ADJ BLOCK	116				31
2	2-21002-2	SCR, BUT HD SKT CAP (8-32 X .50) SHEAR	115	1	461532-1	PLATE, STRIP GUIDE	30
3	2-21002-2	SCR, BUT HD SKT CAP (8-32 X .50) R STRIP GUIDE	114	1	455888-7	SPACER, FRONT SHEAR DEPRESSOR	29
1	2-21003-0	SCR, FLAT HD SKT CAP (6-32 X .50) CAM	113	2	1-22284-0	SPRING, DRAG	28
1	3-21000-4	SCR, SKT HD CAP (10-32 X .38) LUBRICATOR ASSY	112	1	690546-1	LEVER, DRAG RELEASE	27
2	23030-1	SCR, SKT HD CAP (6-32 X .25) (LOC-WEL) CP DISC	111	1	240792-1	DRAG, STOCK	26
2	3-21000-0	SCR, SKT HD CAP (8-32 X .38) REAR SHEAR PLATE	110	1	458876-1	GUIDE STRIP (REAR)	25
2	3-21000-0	SCR, SKT HD CAP (8-32 X .38) DEPRESSOR	109	1	458875-1	GUIDE, STRIP (FRONT)	24
1	2-22603-0	SCR, HEX HD MACH (8-32 X .31) FEED FINGER	108				23
2	1-21000-3	SCR, SKT HD CAP (4-40 X .25) F STRIP GUIDE	107	1	4-22284-9	SPRING, FEED RETURN	22
1	2-21000-7	SCR, SKT HD CAP (8-32 X .50) STRIPPER	106	2	3-22278-0	SPRING, HOLD DOWN	21
2	3-21000-7	SCR, SKT HD CAP (10-32 X .75) FEED ROD GUIDE	105	1	690472-2	STRIPPER	20
2	3-21000-6	SCR, SKT HD CAP (10-32 X .62) FEED ADJ BLOCK	104	1	461519-1	HOLDER, TERMINAL (FRONT)	19
1	3-21000-4	SCR, SKT HD CAP (10-32 X .38) SG ADJ BLOCK	103	1	455054-1	HOLD DOWN TERMINAL (REAR)	18
1	3-21000-4	SCR, SKT HD CAP (10-32 X .38) PIVOT BLOCK	102	1	691667-1	GUARD, CHIP (FRONT)	17
REF	455749-1	GUARD WINDOW	101	1	455053-1	PLATE, RETAINING	16
1	1-465184-0	LUBRICATOR ASSY	79	1	455052-1	HOLDER, HOLD DOWN	15
			78	1	4-21028-0	PIN, HOLD DOWN	14
			77	1	5-22280-0	SPRING, SHEAR	13
2	21017-2	SCR, DRIVE (2 X .19) ID PLATE	76	1	690461-1	STOP, SHEAR	12
1	461264-1	PLATE, IDENTIFICATION	75	1	690459-1	HOLDER, SHEAR (FRONT)	11
1	458109-1	WASHER, SPECIAL	74	1	690491-3	SHEAR, FLOAT (FRONT)	10
1	454877-1	PLATE, STRIP GUIDE COVER	73	1	690493-6	ANVIL	9
2	690603-1	SPRING, ASSIST	72	1	455888-3	SPACER, HOLDER	8
1	690517-1	SPACER	71			DEPRESSOR, SHEAR (REAR)	7
1	22594-8	NUT, HEX	70	1	1-455889-0	DEPRESSOR, SHEAR (FRONT)	6
1	240628-1	PLATE, ADJUSTMENT	69	1	238011-8	SPACER, TUBULAR, INS CRIMPER	5
1	240626-1	SHAFT, PIVOT	68	1	4-683454-2	CRIMPER, INSULATION	4
1	240633-1	BUSHING	67	1	1-455888-1	SPACER, CRIMPER	3
1	455680-1	LEVER, INTERMEDIATE	66	1	456410-1	CRIMPER, WIRE	2
1	240629-1	BLOCK, PIVOT	65				1
1	240632-2	SCREW, ADJUSTMENT FEED ROD	64				
1	240659-3	PIN, CAM ROLLER	63				
1	240658-1	ROLLER, CAM	62				
1	454398-2	ROD, FEED	61				
1	454178-1	GUIDE, FEED ROD	60				

CRIMPING DATA				APPLICATOR WILL APPLY	
PAD LTR	CRIMP HEIGHT	WIRE SIZE	WIRE STRIP LENGTH	60794	
A	.103	14			
B	.095	16			
C	.092	18			
D	NOT USED				
CRIMP	SIZE	TYPE	FEED	APPL INST	
WIRE	.130	F		A1 8040	
INSUL	.210	0	406		
WIRE RANGE		INSULATION RANGE		PRESS NO	
18-14		.090-130			
REMARKS: AMPOMATOR					

REMARKS	NO	REV
APPL USED ON MACHINE PART NO	MACH SERIAL NO	DISTRIBUTION
CUSTOMER NAME	APPL SERIAL NO	ORIGINAL
ADDRESS	PURCHASE ORDER	CUSTOMER COPY
CITY	ENG APP	FIELD ENG COPY

SET UP GAGE 10-1  
458637-137-B  
DR 8-17-75 APP  
NAME: MINIATURE QUICK CHANGE APPLICATOR  
SIDE FEED (CUSTOMER TAB MOD III)

AMP INCORPORATED  
Harrisburg, Pa.

LOC A D NO 687888-5

REVISION RECORD

P	F	LTR	REVISION RECORD	APP DATE