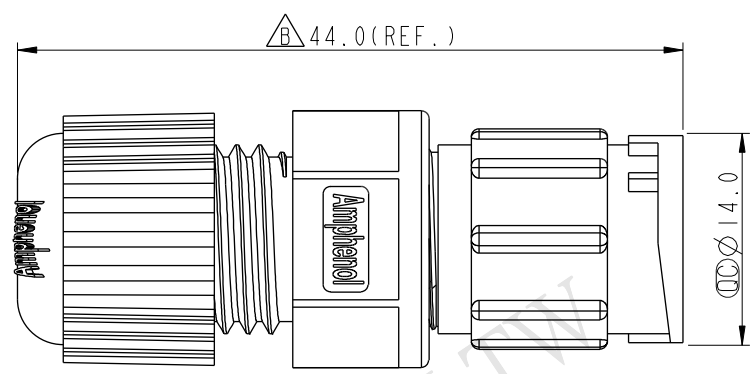
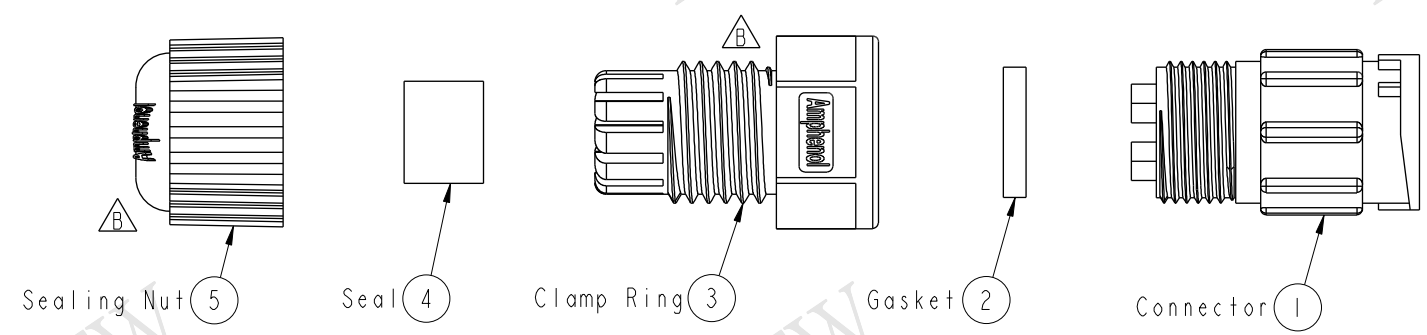


THIS DOCUMENT IS SUBJECT TO CHANGE WITHOUT NOTICE. IT IS CONFIDENTIAL AND A PROPERTY OF Amphenol LTW. DISCLOSURE TO THIRD PARTY HAS TO BE AUTHORIZED BY Amphenol LTW.

REV.	ECN NO.	DATE	SIGN	DESCRIPTION
B	LEN14C0421	2014/12/12	Vicky	Update Logo & Dimension

ALTW
 CONFIDENTIAL
 2014-12-12
 R&D DEPT.

ALTW
 DCC. DEPT.
 CONFIDENTIAL
 2014.12.23
 ISSUED



- Note:
- * Ⓞ Important Dimension To Check.
 - * Waterproof Rate: IP67
 - * Housing: Nylon+GF, Black
 - * Male Pin: Copper Alloy, Gold Plated
 - * Gasket: EPDM, Black
 - * Clamp Ring: Nylon, Black
 - * Seal: EPDM, Black
 - * Sealing Nut: Nylon, Black
 - * Seal For Cable OD: $\varnothing 4.5\text{mm} \sim \varnothing 6.5\text{mm}$
(防水墊圈線徑: $\varnothing 4.5\text{mm} \sim \varnothing 6.5\text{mm}$)
 - * One Set Unassembled In One PE Bag
(每一組未組裝, 放置於一個PE袋, 並封口)

UNIT:mm 	TITLE 10Pin Male Connector Male Pin(2A) for Field Installation, Lock Type			Amphenol LTW 安費諾亮泰企業股份有限公司		ITEM NO BU-10BMMA-LL7001	DRAWN BY Vicky	DATE 2014-12-12
	TOLERANCE .X ± 0.25 .XX ± 0.1 .XXX ± 0.05 ANGLES $\pm 1^\circ$	SCALE 3:2	SIZE A4			SHEET 1 OF 1	DWG NO BU-10BMMA-LL7001	CHECKED BY Sam
	REV. B	WC-REV. A.2	Ⓞ : Inspection item	CUSTOMER ALTW	APPROVED BY Rita	DATE 2014-12-12		