

SUMMARY

Wires

Low	9
High	0
Coax	0
Triax	0
Quad	0
Fiber	0
Fluidic	0



Image is for illustrative purpose only

Download

[Request a quote](#)

[Catalog](#)

Series	0T
Termination type	Male solder
IP rating	68
Cable Ø	4.60 - 5.00 mm
Matching parts	EGG.0T.309.CLL
Status	
Alternative part	

TECHNICAL DETAILS

Mechanics

Shell Style/Model	FG*: Straight plug, cable collet
Keying	1 key (alpha=0, plug: male contacts, receptacle: female contacts)
Housing Material	Brass (chrome plated) shell and collet nut, nickel plated brass latch sleeve and mid pieces
Cable Fixing	C50: 4.6 - 5 mm
Variant	

Performance

Configuration	
Insulator	
Rated Current	2 Amps

Specifications

Contact Type:	Solder
Max. Matings:	5000
Contact Dia.:	0.5 mm (0.02in)
Bucket Dia.:	0.45 mm (0.018in)
Max. Solid Conductor:	0.09 mm ² (AWG 28)
Max. Stranded Conductor:	0.09 mm ² (AWG 28)

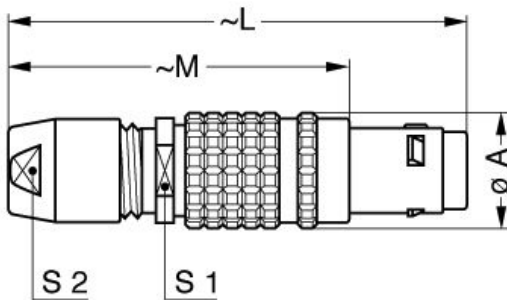
R (max): 8.7 mOhm
Vtest: 500 V (DC)400 V (AC)

Others

Temp (min / max): -55° C / +200° C
Humidity (max): <=95% [at 60 deg C /140 F]
Vibration: 15 g [10 Hz - 2000 Hz]
Shock Resistance: 100 g [6 ms]
Salt Spray Corrosion: >144 hr
Climatical Category: 50/175/21
Shielding (min): 75 dB (10 MHz)
Shielding (min): 40 dB (1 GHz)
IP Rating: 68

DRAWINGS

Draws



Dimensions

	A	L	M
mm.	9	39	29
in.	0,35	1,54	1,14

RECOMMENDED BY LEMO

Tools

None

Cables

--	--	--	--