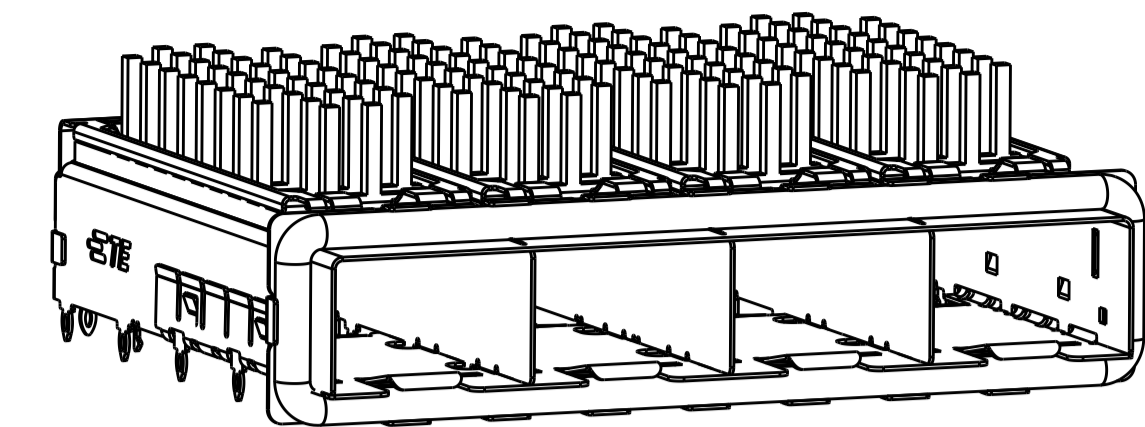
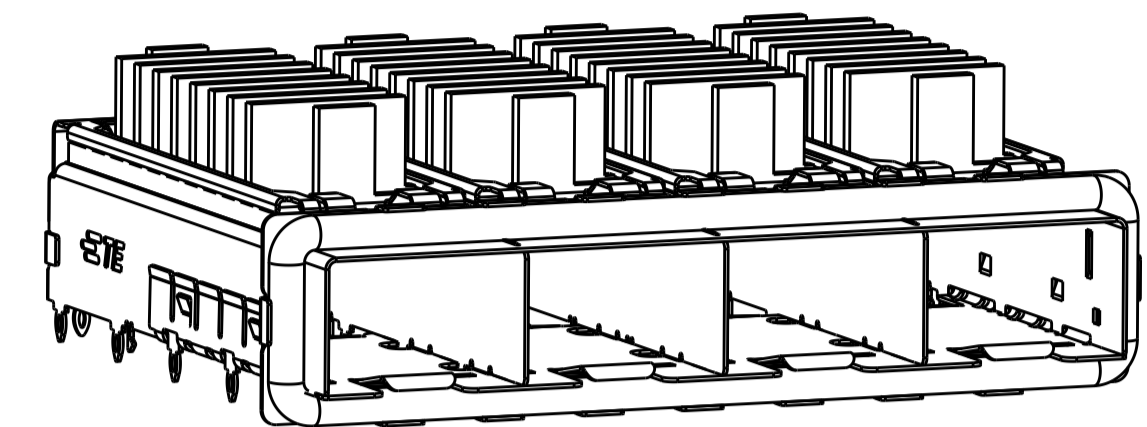


LOC	DIST	REVISIONS					
GP	00	P	LTN	DESCRIPTION	DATE	DWN	APVD
		A		RELEASED PER ECO-12-013192	09OCT2012	BMM	MRS
		A1		RELEASED PER ECO-13-014600	20SEP2013	PP	SH



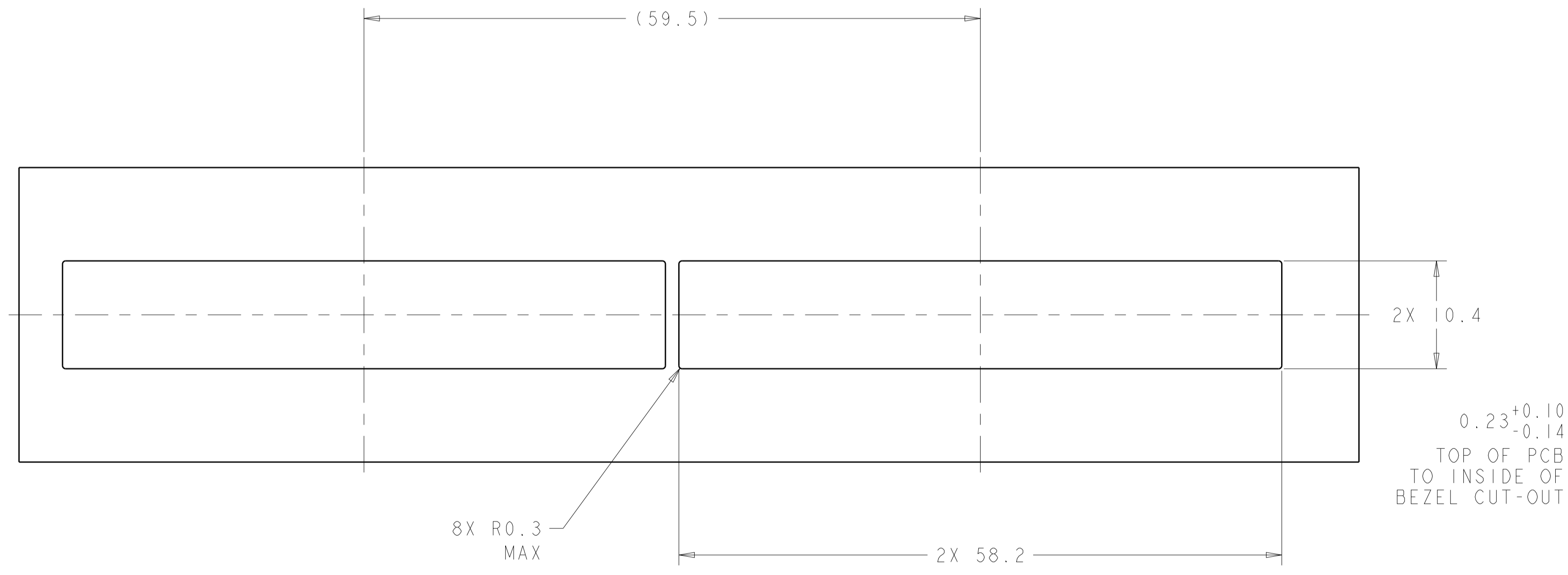
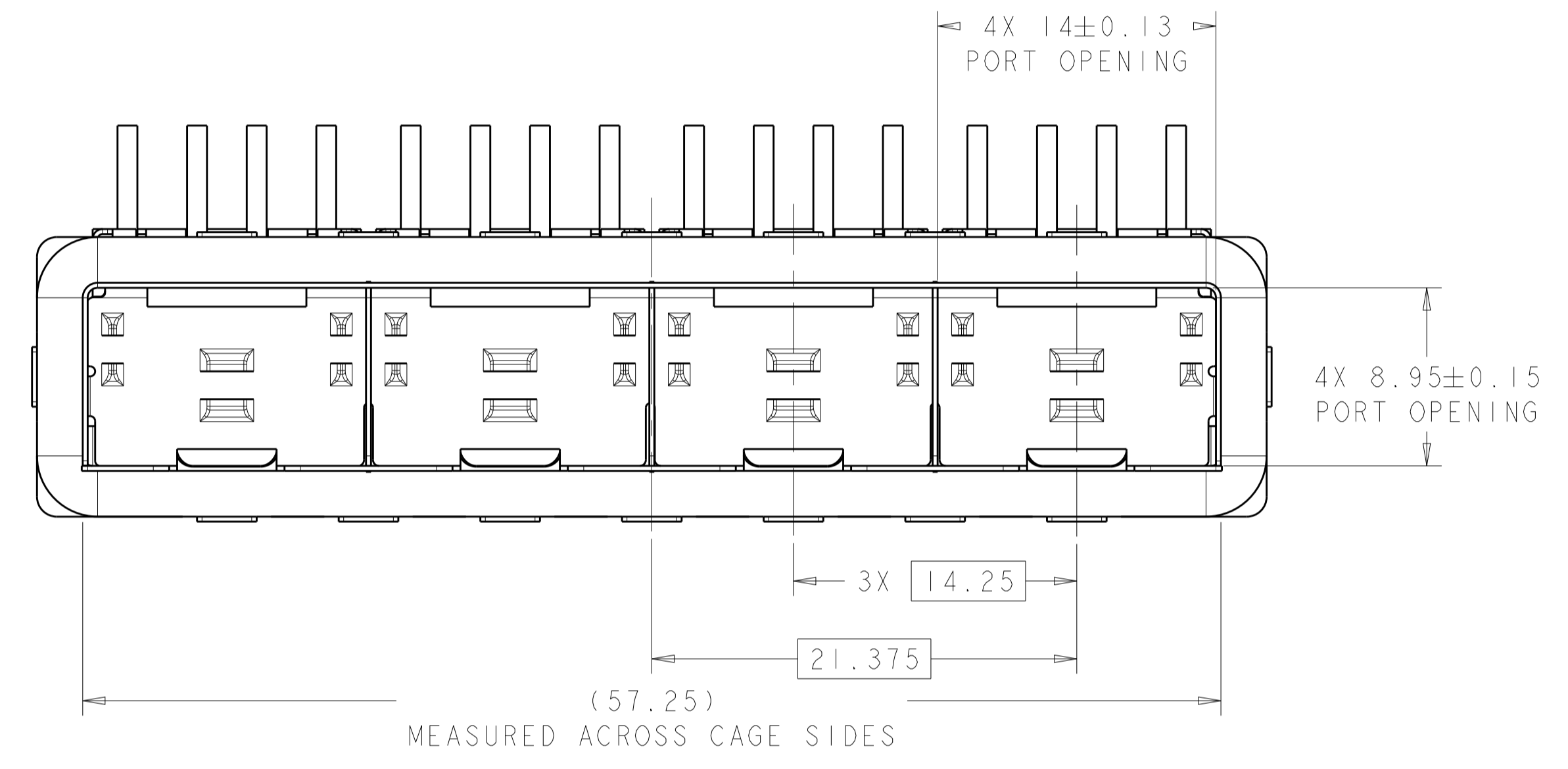
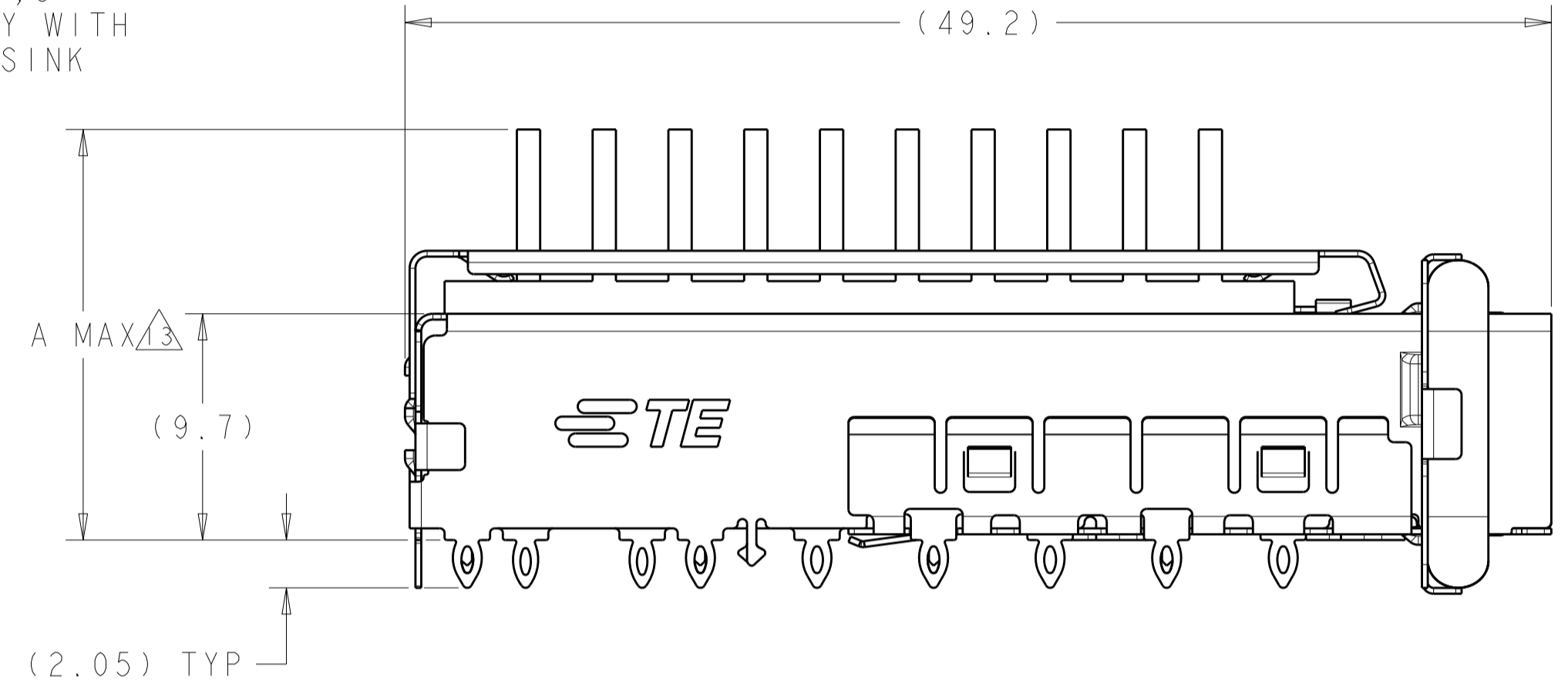
2198241-1,2,3,4  
FINISHED ASSEMBLY WITH  
PIN TYPE HEAT SINK



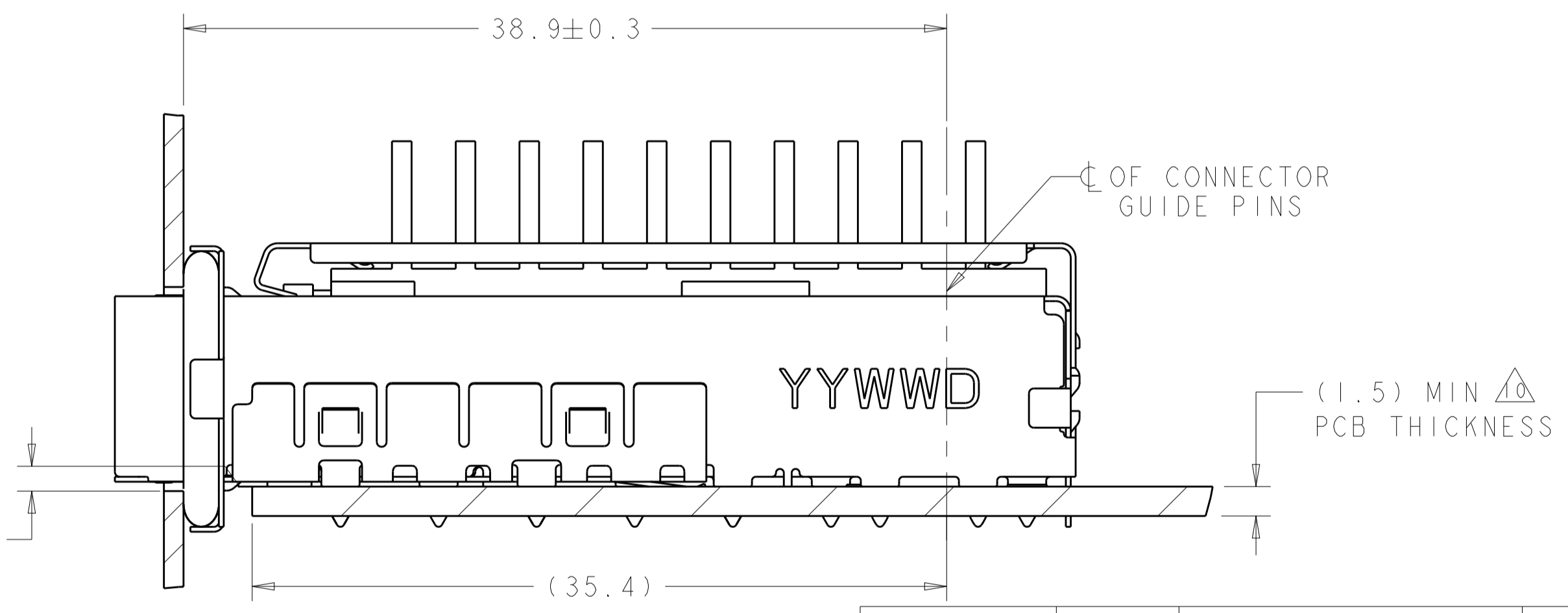
2198241-5,6,7,8  
FINISHED ASSEMBLY WITH  
FIN TYPE HEAT SINK

- 1 MATERIAL:  
CAGE ASSEMBLY: 0.25mm THICK NICKEL SILVER ALLOY  
GASKET RETENTION PLATE: STAINLESS STEEL  
EMI GASKET: PLATED FILLED SILICONE  
HEATSINK CLIP: STAINLESS STEEL  
HEATSINK: ALUMINUM
- 2 FINISH:  
HEATSINK: ELECTROLESS NICKEL  
HEATSINK CLIP: PASSIVATE
- 3 PADS AND VIAS CHASSIS GROUND.
- 4 DATUM AND BASIC DIMENSION ESTABLISHED BY CUSTOMER.
- 5. MATES WITH SFP MSA COMPLIANT TRANSCEIVERS.
- 6. INTERPRETATION OF DATUM REFERENCE FRAME IN ACCORDANCE WITH SECT 4.4.1.1 OF ASME Y14.5M-1994.
- 7 REFERENCE APPLICATION SPEC. 114-13120, HOLE A, FOR RECOMMENDED DRILL HOLE DIAMETER AND PLATING THICKNESS.
- 8 REFERENCE APPLICATION SPEC. 114-13120, HOLE B, FOR RECOMMENDED DRILL HOLE DIAMETER AND PLATING THICKNESS.
- 9 HOLE PATTERN REPEATS FOR EACH PORT. SPACING BETWEEN PORTS IS 14.25mm.

- 10 MINIMUM PC BOARD THICKNESS:  
SINGLE SIDED: 1.5mm
- 11. CERTAIN MATING TRANSCEIVERS MAY REQUIRE ADDITIONAL PCB THICKNESS THAT WOULD NEED TO BE DETERMINED BY THE CUSTOMER.
- 12. PRODUCT COMPLIES WITH SPECIFICATION SFF-8433 IMPROVED PLUGGABLE FORM FACTOR FOR SFP+ GANGED CAGES.
- 13 DIMENSION APPLIES PRIOR TO INSERTION OF SFP MODULE.



RECOMMENDED BEZEL CUT-OUT  
SINGLE SIDED APPLICATIONS  
SCALE 3:1



2198241  
MOUNTED ON PC BOARD  
SHOWN THRU RECOMMENDED BEZEL

FIN TYPE	22.5	NETWORKING, TALL	2198241-8
FIN TYPE	18.1	NETWORKING, SHORT	2198241-7
FIN TYPE	15.5	SAN	2198241-6
FIN TYPE	13.2	PCI	2198241-5
PIN TYPE	22.5	NETWORKING, TALL	2198241-4
PIN TYPE	18.1	NETWORKING, SHORT	2198241-3
PIN TYPE	15.5	SAN	2198241-2
PIN TYPE	13.2	PCI	2198241-1
HEAT SINK	A MAX	APPLICATION	PART NUMBER

THIS DRAWING IS A CONTROLLED DOCUMENT.

DIMENSIONS: mm

TOLERANCES UNLESS OTHERWISE SPECIFIED:

0 PLC	±0.1
1 PLC	±0.1
2 PLC	±0.1
3 PLC	±0.1
4 PLC	±0.1
ANGLES	±1°

MATERIAL:

FINISH:

Customer Drawing

DWN: B. MATTHEWS, 20OCT2011  
 CHK: M. SCHMITT, 20OCT2011  
 APVD: M. SCHMITT, 20OCT2011

NAME: SFP+ ENHANCED 1X4 CAGE ASSEMBLY, PRESS FIT, EMI GASKET WITH HEATSINK

PRODUCT SPEC: 108-2364  
 APPLICATION SPEC: 114-13120

SIZE: A1  
 CAGE CODE: 00779  
 DRAWING NO: 2198241

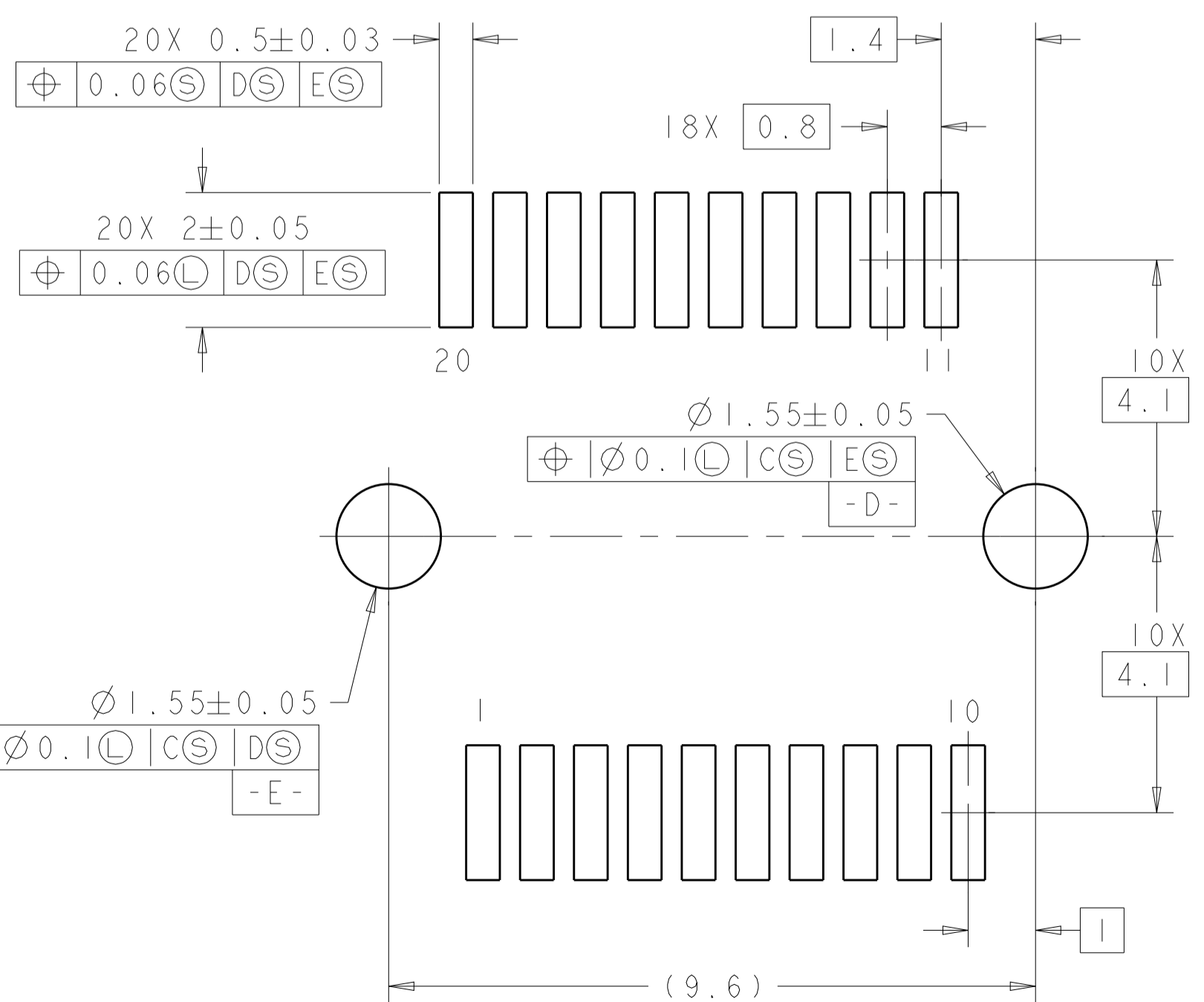
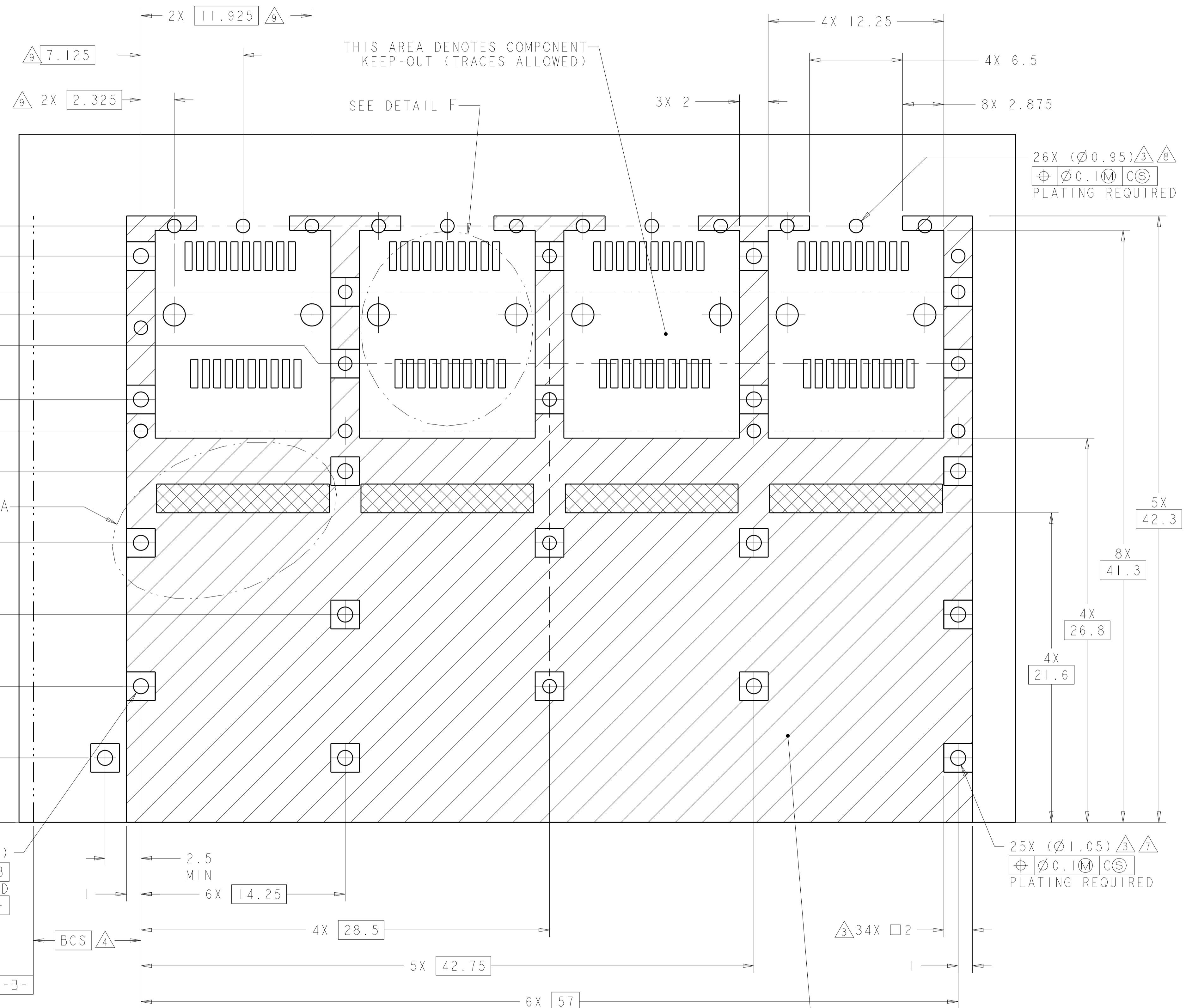
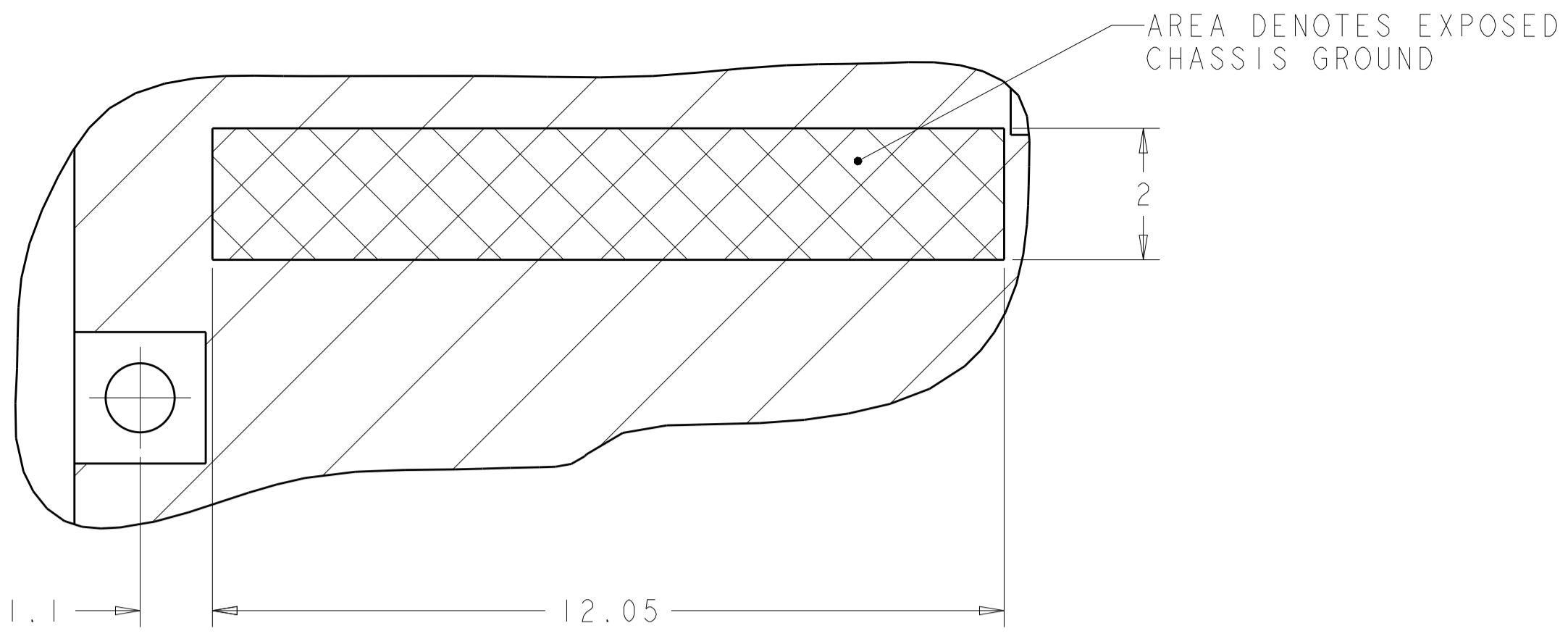
RESTRICTED TO: A1

SCALE: 4:1 SHEET 1 OF 2 REV: A1

LOC	DIST	REV	DATE	APPV
GP	00			

REVISIONS				
REV	DATE	APPV	DESCRIPTION	BY
-	-	-	SEE SHEET 1	-



THIS DRAWING IS A CONTROLLED DOCUMENT.		OWN: B. MATTHEWS 20OCT2011	TE Connectivity
DIMENSIONS: mm		CHK: M. SCHMITT 20OCT2011	
TOLERANCES UNLESS OTHERWISE SPECIFIED:		APPV: M. SCHMITT 20OCT2011	NAME: SFP+ ENHANCED 1X4 CAGE ASSEMBLY, PRESS FIT, EMI GASKET WITH HEATSINK PRODUCT SPEC: 108-2364 APPLICATION SPEC: SIZE: CAGE CODE DRAWING NO: RESTRICTED TO:
0 PLC ±0.1		108-2364	
1 PLC ±0.1		114-13120	
2 PLC ±0.1		WEIGHT:	
3 PLC ±0.1		Customer Drawing	SCALE: 4:1
4 PLC ±0.1			SHEET 2 OF 2
ANGLES ±1°			REV: A1