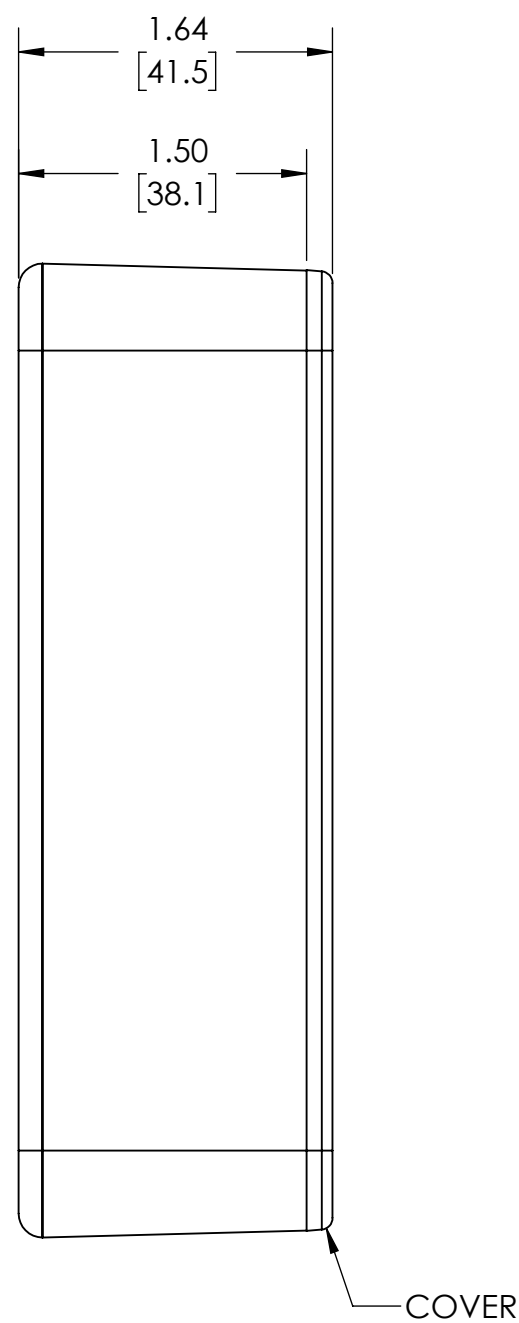
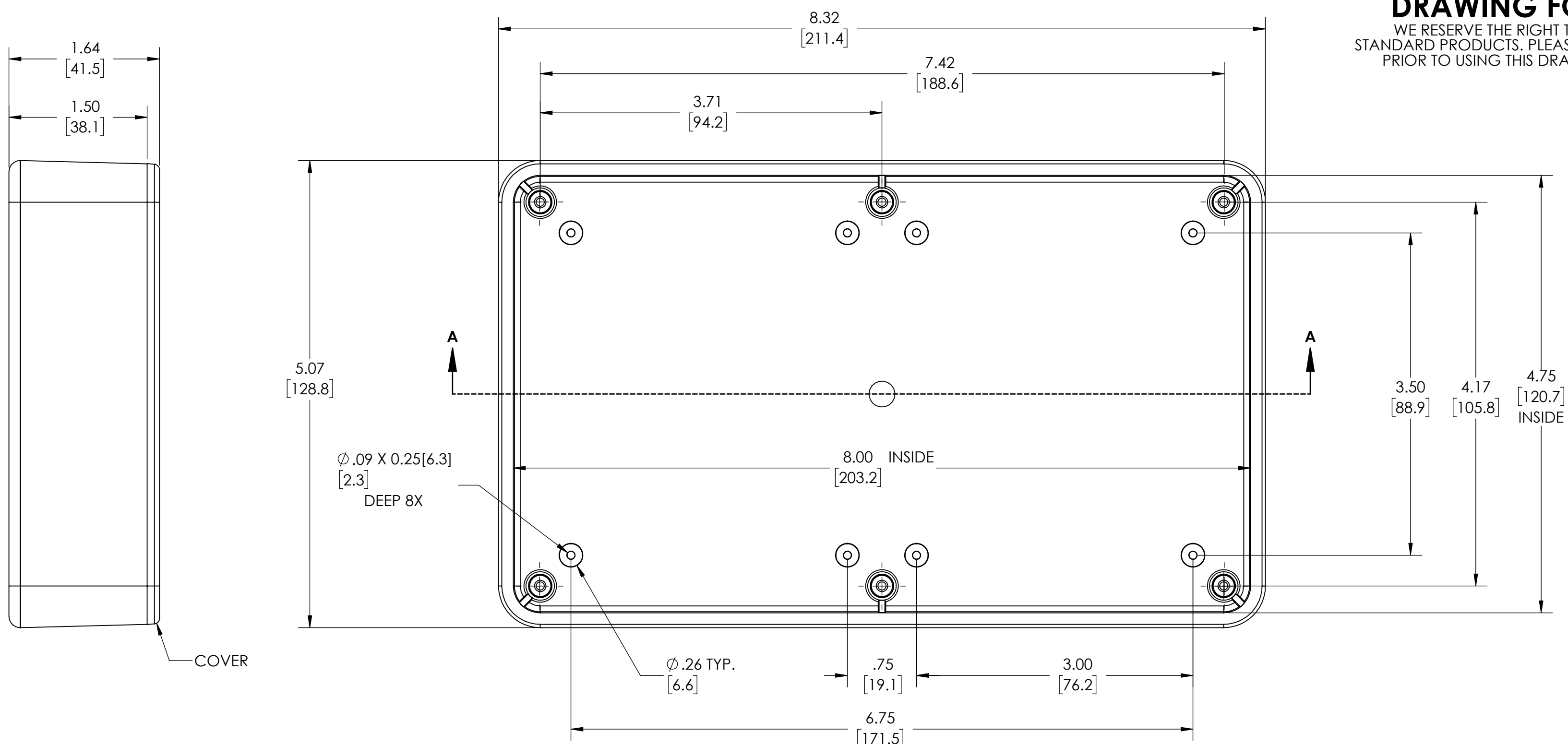


DRAWING FOR REFERENCE
 WE RESERVE THE RIGHT TO MAKE CHANGES TO OUR
 STANDARD PRODUCTS. PLEASE CONSULT WITH BUD INDUSTRIES
 PRIOR TO USING THIS DRAWING FOR DESIGN PURPOSE.



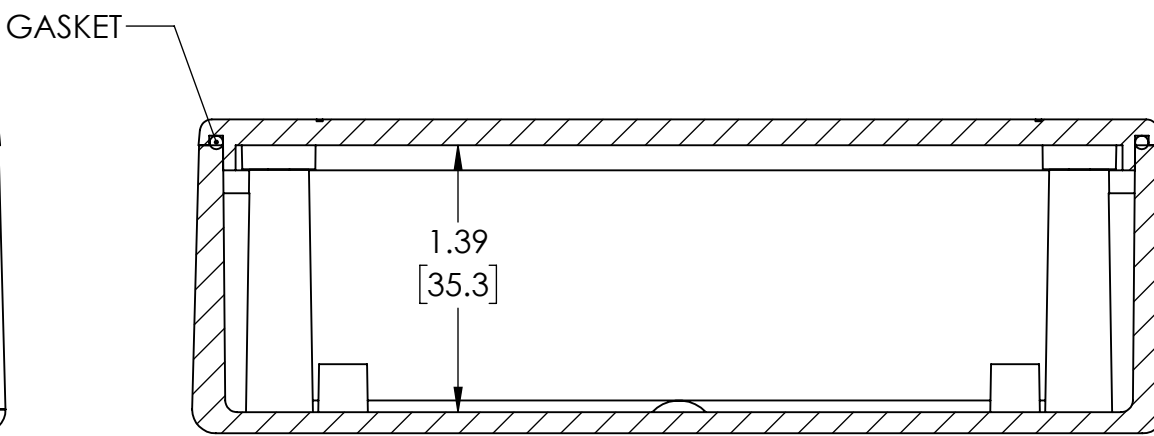
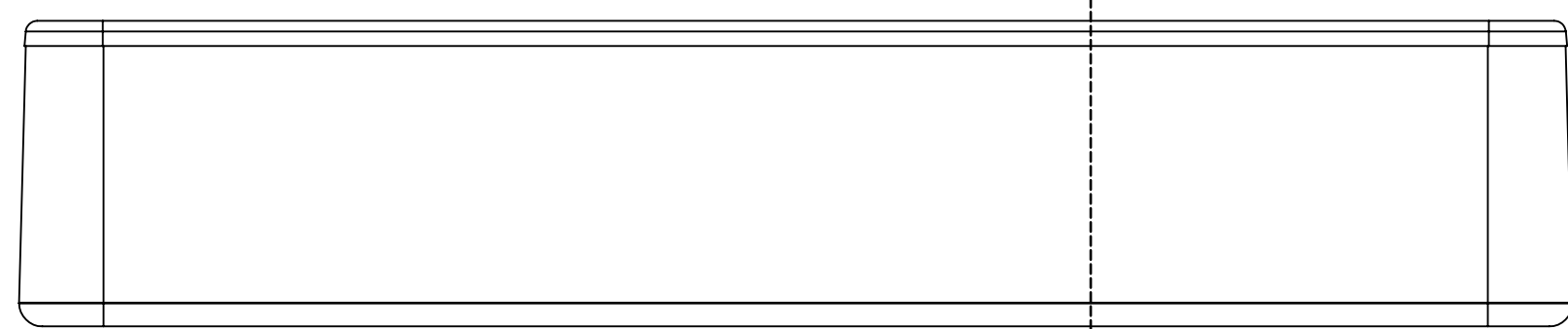
COVER

A

A

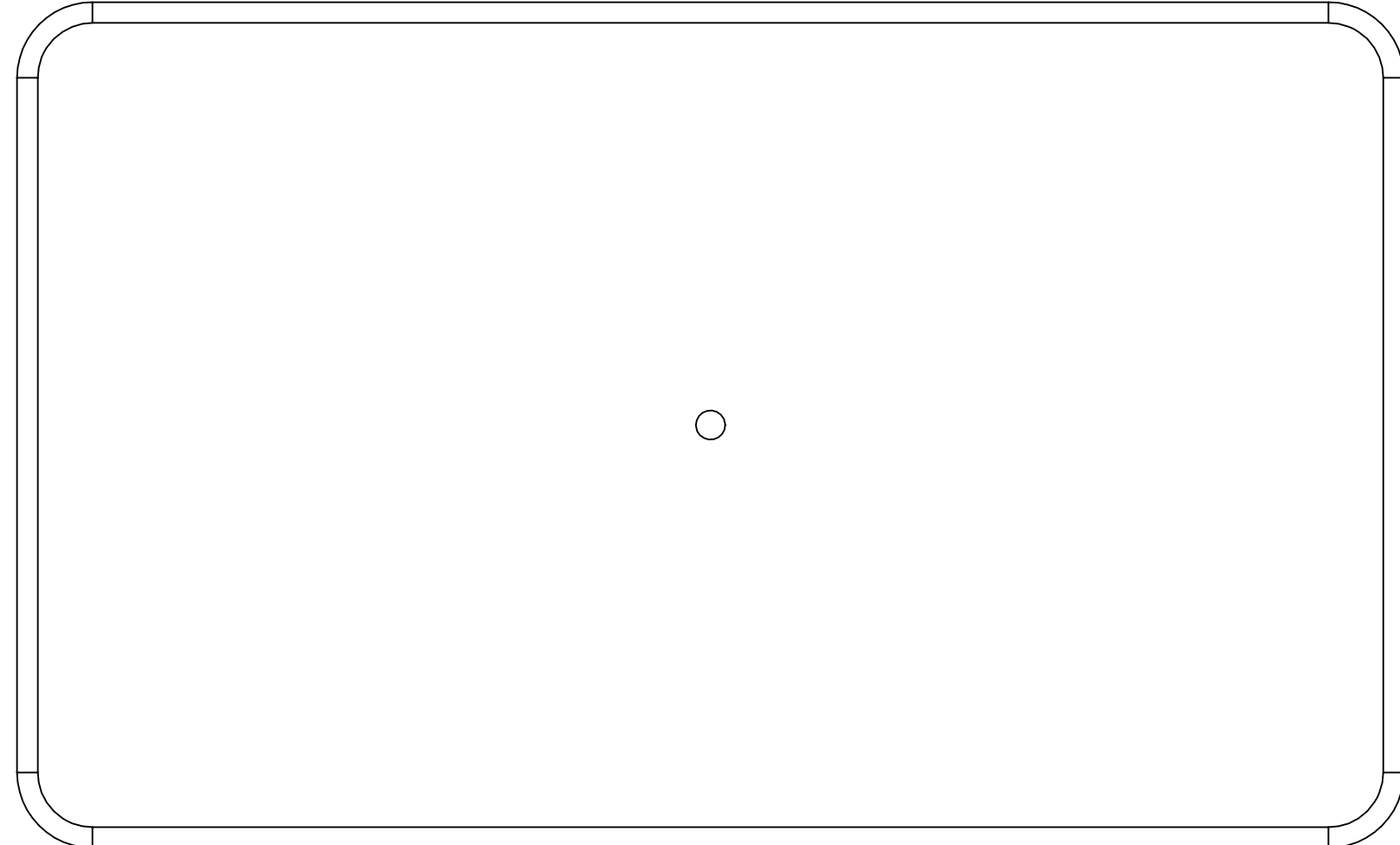
B

B

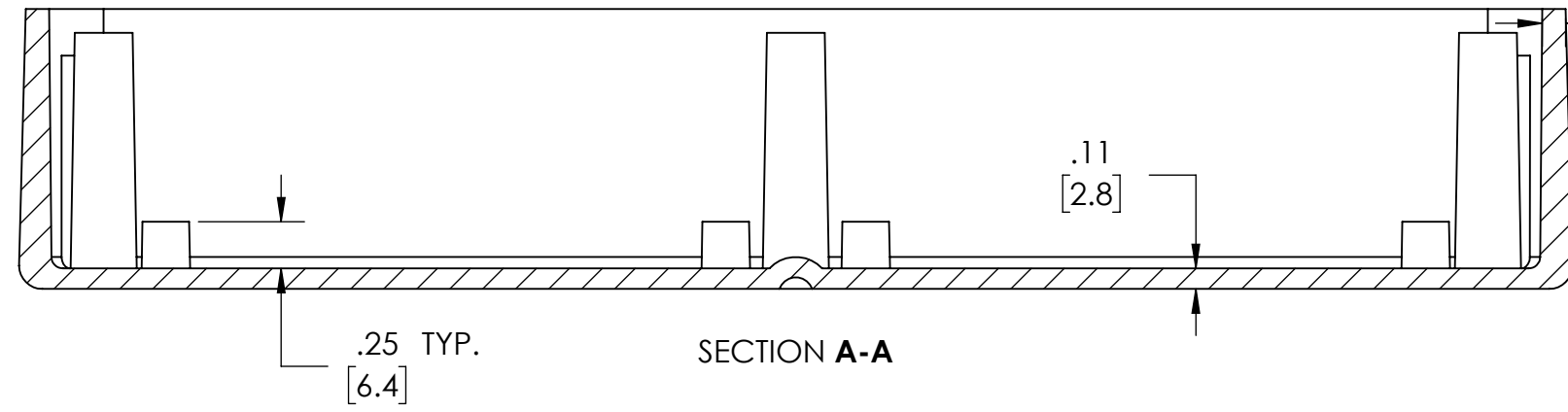


SECTION B-B

#4-40 THREADED BRASS INSERT (6X)



BOTTOM VIEW



SECTION A-A

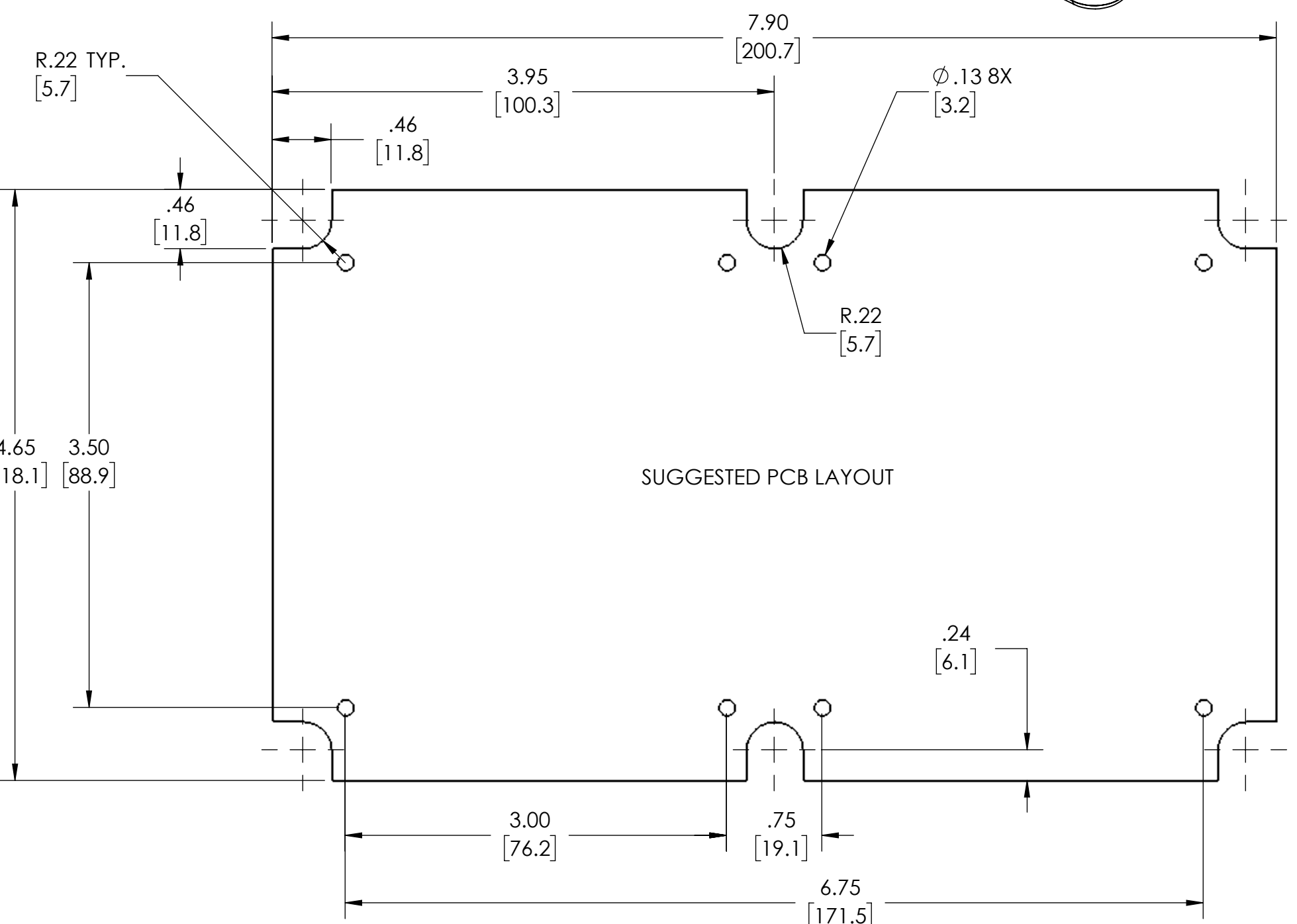
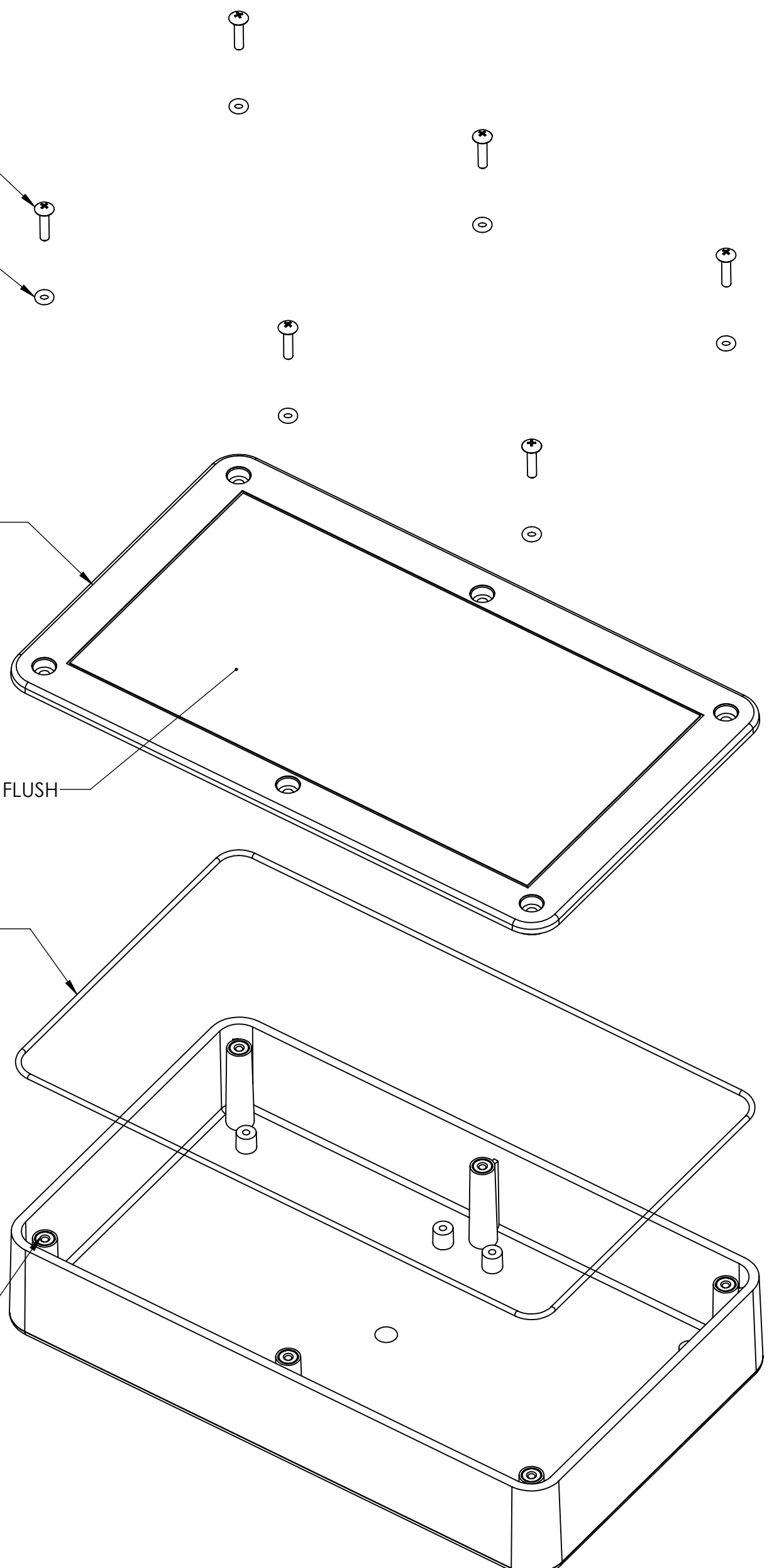
SCREWS (6X)

O-RINGS (6X)

COVER

TEXTURED FLUSH

GASKET



SUGGESTED PCB LAYOUT

NOTES:
 1- MATERIAL: BASE & TEXTURED FLUSH COVER - BLACK ABS UL94-5VA
 2- DIMENSIONS ARE INCH [MM]