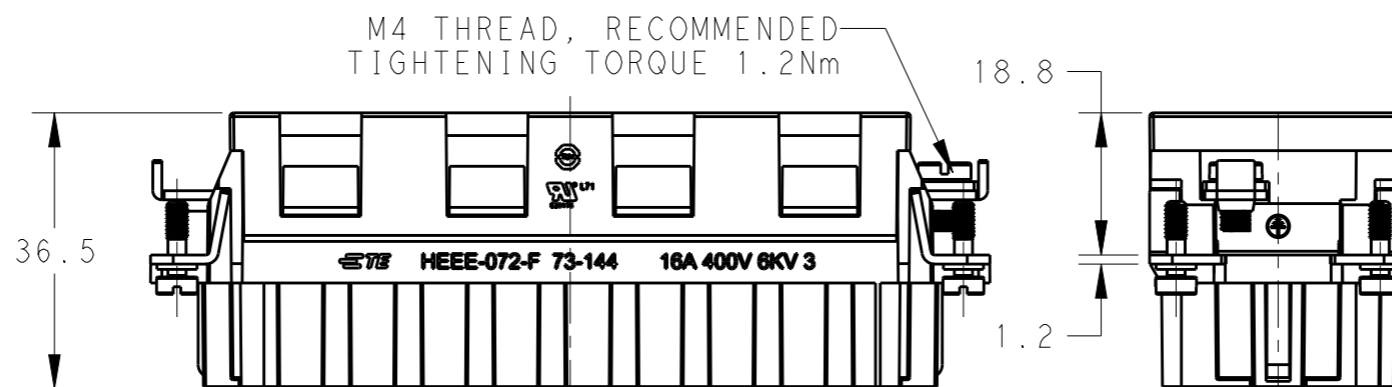
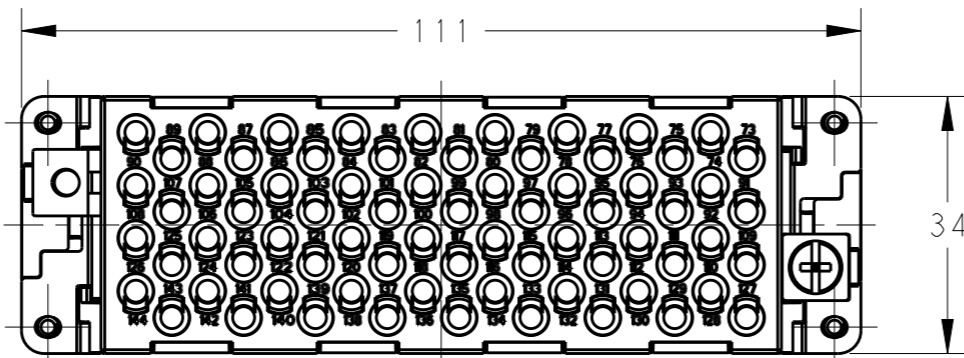
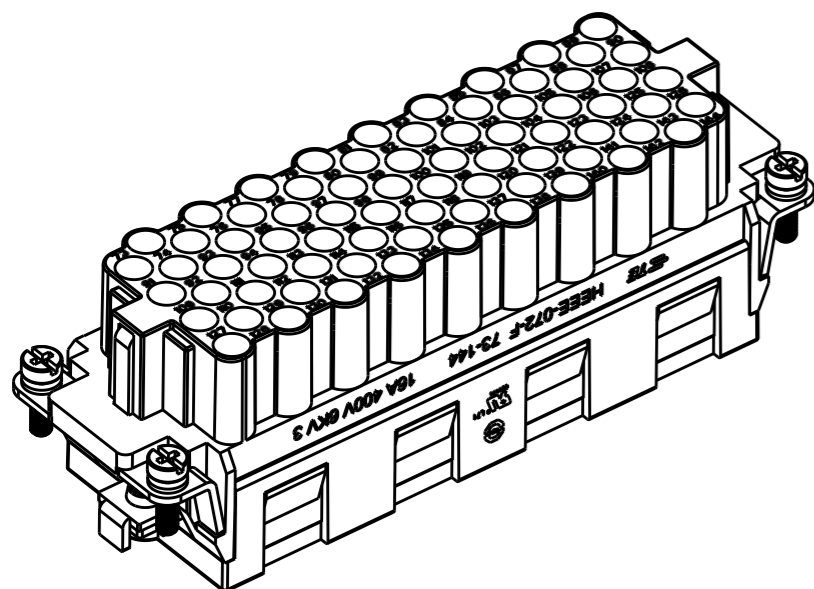


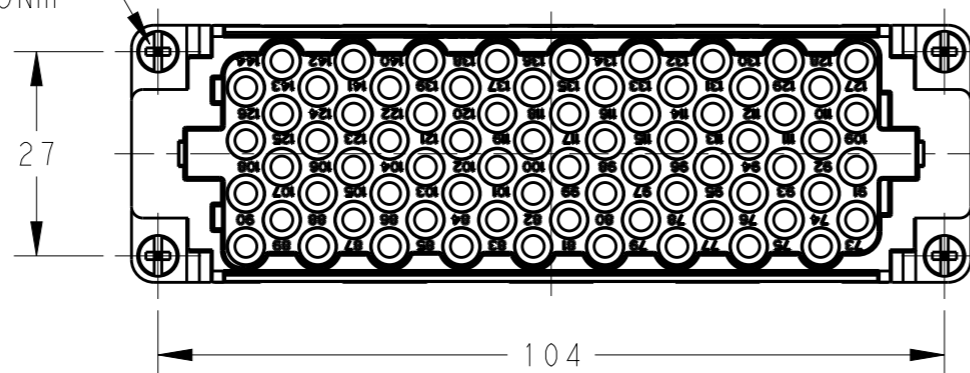
THIS DRAWING IS UNPUBLISHED. RELEASED FOR PUBLICATION 20
 © COPYRIGHT 20 BY - ALL RIGHTS RESERVED.

REVISIONS

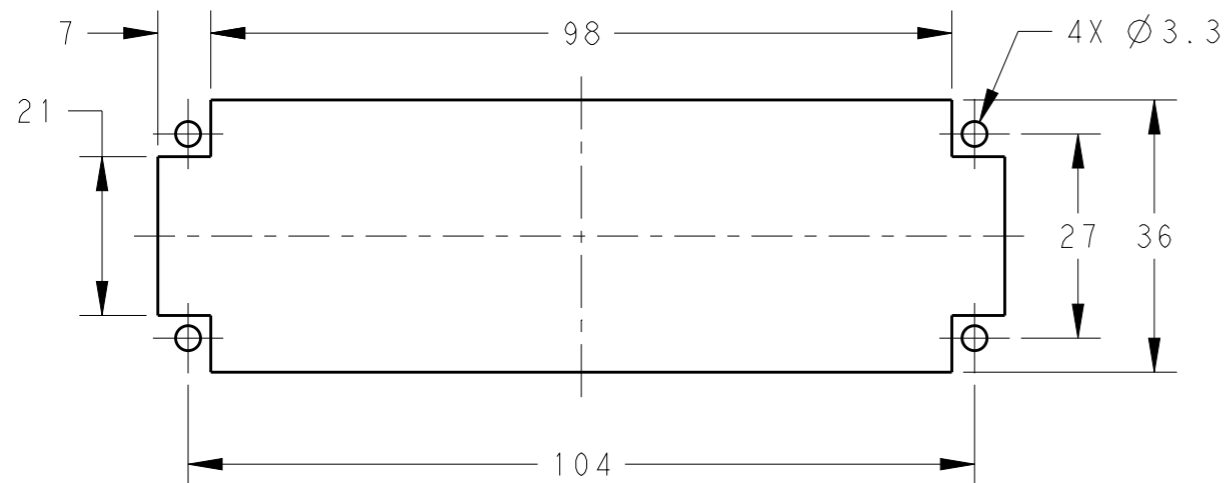
P	LTR	DESCRIPTION	DATE	DWN	APVD
	A	INITIAL	27OCT2015	DW	CW



4X M3 THREAD, RECOMMENDED TIGHTENING TORQUE 0.5Nm



PANEL CUT FOR INSERTS FOR USE WITHOUT HOODS/ HOUSINGS



NOTES:

- TECHNICAL CHARACTERISTICS:
 INSULATION MATERIAL: PC
 RATED VOLTAGE: 400V
 RATED CURRENT: 16A
 INSULATION RESISTANCE: $\geq 400M\Omega$
 RATED IMPULSE VOLTAGE: 6KV
 POLLUTION DEGREE: 3
 FLAMMABILITY: UL94V-0
 MATING CYCLES: 500 CYCLES
 OPERATION TEMPERATURE: $-40^{\circ}C \sim +125^{\circ}C$
 WIRE RANGE: $0.14mm^2 \sim 4mm^2$ (AWG26-AWG12)
 CONTACT TYPE: CRIMP CONTACT
- CONTACTS NEED TO BE ORDERED SEPARATELY.
 (ORDER No. REFER TO DRAWING: T20300X20XX000)

注释:

- 技术参数:
 绝缘材料: PC
 额定电压: 400V
 额定电流: 16A
 绝缘电阻: $\geq 400M\Omega$
 脉冲电压: 6KV
 污染等级: 3
 阻燃等级: UL94V-0
 插拔次数: 500次
 工作温度: $-40^{\circ}C \sim +125^{\circ}C$
 接线范围: $0.14mm^2 \sim 4mm^2$ (AWG26-AWG12)
 接线类型: 冷压接
- 端子需要单独订购。
 (订货号参考图面: T20300X20XX000)

THIS DRAWING IS A CONTROLLED DOCUMENT.

DIMENSIONS:	TOLERANCES UNLESS OTHERWISE SPECIFIED:
mm	
	0 PLC \pm
	1 PLC \pm
	2 PLC \pm
	3 PLC \pm
	4 PLC \pm
	ANGLES \pm
MATERIAL	FINISH
-	-
-	-

DWN	27OCT2015
David Wang	
CHK	27OCT2015
Chris Wang	
APVD	27OCT2015
Xiang Xu	
PRODUCT SPEC	108-137068
APPLICATION SPEC	114-137068
WEIGHT	-
Customer Drawing	

HEEE-072-F 73-144		T2051442201-000	
DESCRIPTION		PART NUMBER	
TE Connectivity			
NAME HEEE-072-F 73-144			
SIZE	CAGE CODE	DRAWING NO	RESTRICTED TO
A3	00779	T2051442201000	-
SCALE		SHEET	REV
1:1		1 OF 1	A