

MODEL:

PDU3XVSR6G32A

3-Phase Switched Rackmount PDU



380V - 415V
3-Phase Input



32A Red IEC-309 (3P+N+E)
Plug



220V - 240V
Single-Phase
Output



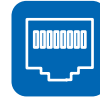
24 Outlets



23kW Load
Capacity



Multimode
Load Meter



Network
Interface

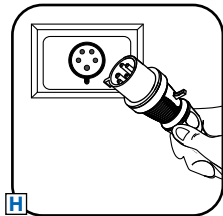


0U
Rackmount

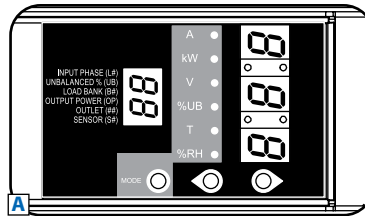


Toolless
Mounting
Buttons

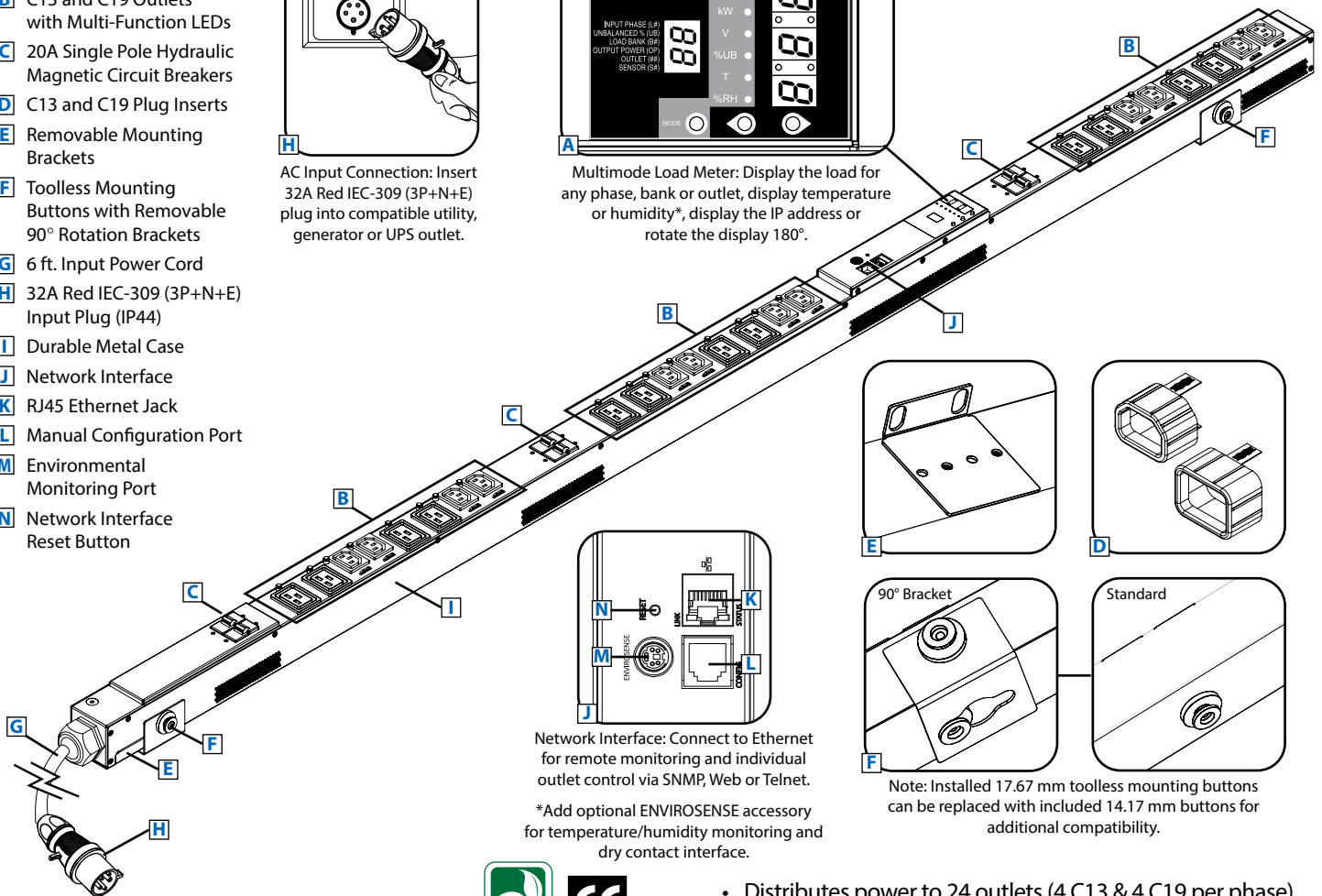
- A** Multimode Load Meter
- B** C13 and C19 Outlets with Multi-Function LEDs
- C** 20A Single Pole Hydraulic Magnetic Circuit Breakers
- D** C13 and C19 Plug Inserts
- E** Removable Mounting Brackets
- F** Toolless Mounting Buttons with Removable 90° Rotation Brackets
- G** 6 ft. Input Power Cord
- H** 32A Red IEC-309 (3P+N+E) Input Plug (IP44)
- I** Durable Metal Case
- J** Network Interface
- K** RJ45 Ethernet Jack
- L** Manual Configuration Port
- M** Environmental Monitoring Port
- N** Network Interface Reset Button



AC Input Connection: Insert 32A Red IEC-309 (3P+N+E) plug into compatible utility, generator or UPS outlet.



Multimode Load Meter: Display the load for any phase, bank or outlet, display temperature or humidity*, display the IP address or rotate the display 180°.



Network Interface: Connect to Ethernet for remote monitoring and individual outlet control via SNMP, Web or Telnet.

*Add optional ENVIROSENSE accessory for temperature/humidity monitoring and dry contact interface.

Note: Installed 17.67 mm toolless mounting buttons can be replaced with included 14.17 mm buttons for additional compatibility.

Specifications

Model	PDU3XVSR6G32A
Voltage	380V - 415V (3-Phase Input/Single-Phase Output)
Frequency	50 / 60 Hz
Load Capacity	23kW
Input Plug	32A Red IEC-309 (3P+N+E) (IP44 Protection Rating - Splash-Proof)
Input Cord Length	6 ft.
Outlets	24 (12 C13 / 12 C19)
Primary Mounting Option	0U (Vertical) Rackmount
Unit Weight & Dimensions	15.5 lbs / 70 x 2.17 x 2.52 (HxWxD in inches) 7 kg / 177.8 x 5.5 x 6.4 (HxWxD in cm) See next page for detailed unit measurements.
Standards	Tested to EN 60950-1, CE Class A, IP44 Protection Rating (Plug)

Tripp Lite has a policy of continuous improvement. Specifications are subject to change without notice.

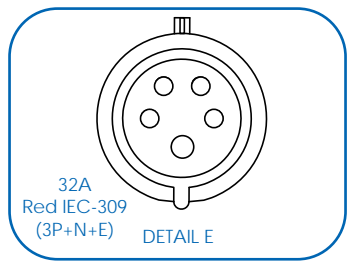
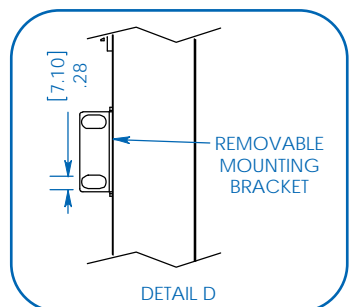
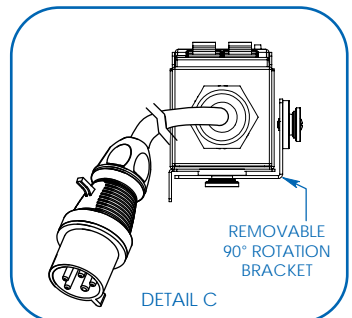
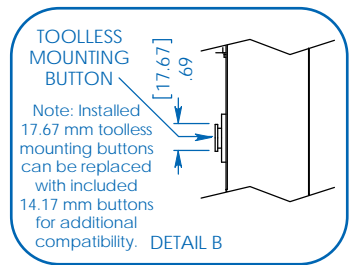
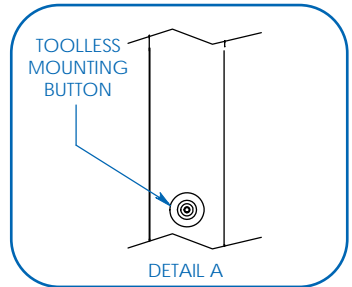
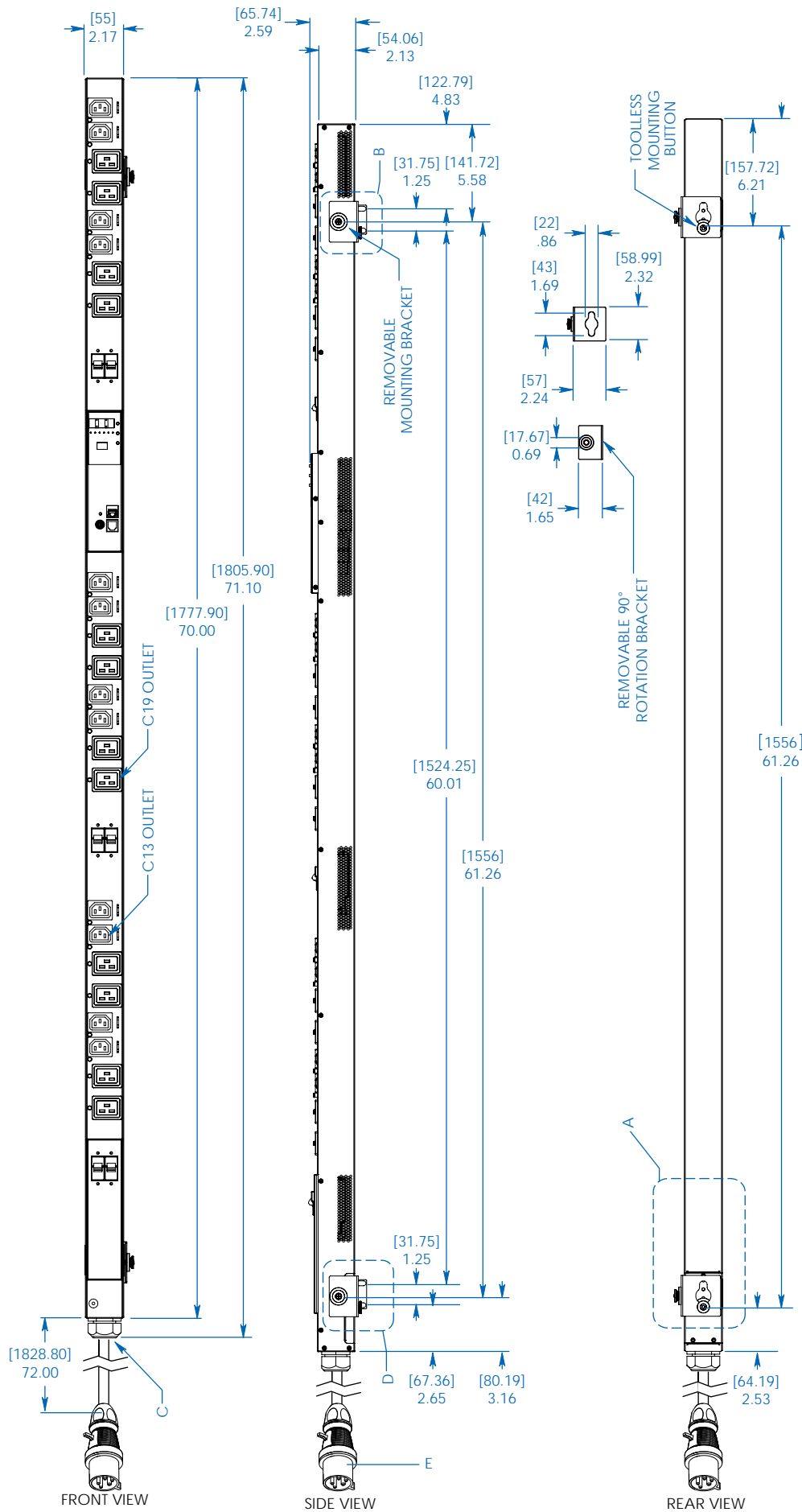


- Distributes power to 24 outlets (4 C13 & 4 C19 per phase)
- Remote monitoring and control via SNMP, Web or Telnet
- Displays load for *each bank, phase, and outlet* in real time
- Perfect for rackmount server, network and telecom applications

SEE NEXT PAGE FOR DETAILED UNIT MEASUREMENTS



1111 W. 35th Street
Chicago, IL 60609 USA
773.869.1234
www.tripplite.com



MODEL:
PDU3XVSR6G32A



1111 W. 35th Street
Chicago, IL 60609 USA
773.869.1234

www.tripplite.com

Dimensions: [mm] INCHES

Tripp Lite has a policy of continuous improvement. Specifications are subject to change without notice.