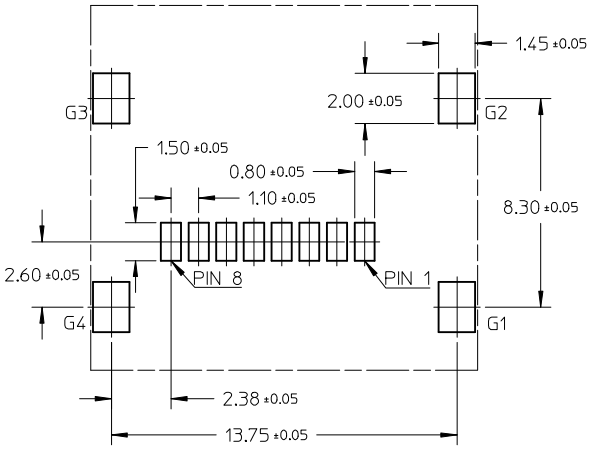
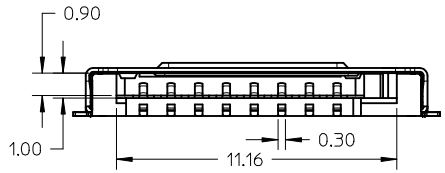
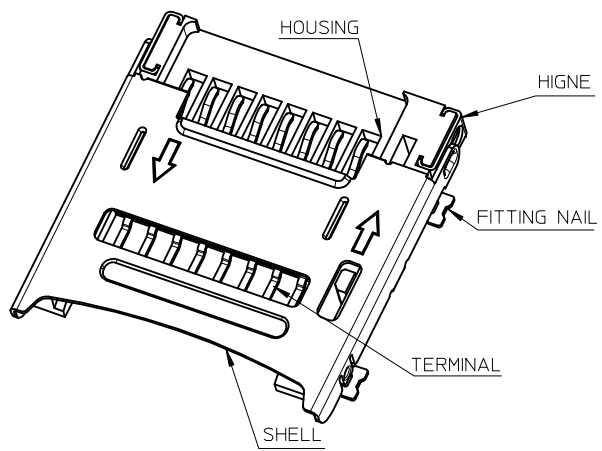
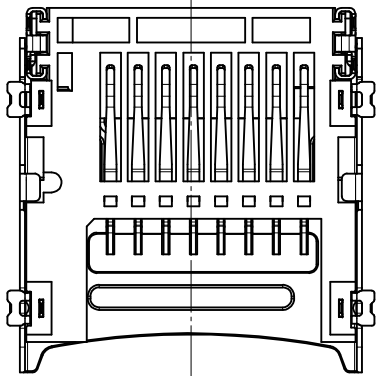
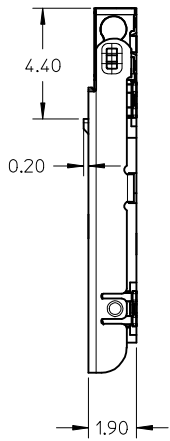
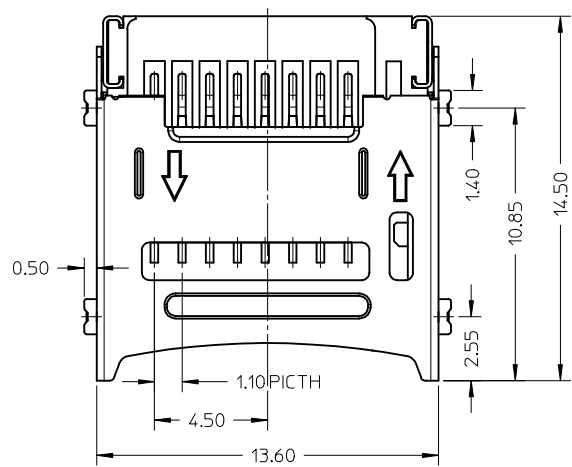


10 9 8 7 6 5 4 3 2 1



RECOMMENDED PCB LAYOUT

IN CASE OF STENCIL THICKNESS: 0.12MM
OPEN RATIO IS 100%.
IN CASE OF STENCIL THICKNESS : 0.1MM
OPEN RATIO IS 100% MINIMUM.
(0.08MM STENCIL THICKNESS CAN NOT BE RECOMMENDED)

G4	GND
G3	GND
G2	GND
G1	GND
PIN8	DAT1
PIN7	DAT0
PIN6	VSS
PIN5	CLK
PIN4	VDD
PIN3	CMD
PIN2	CD/DAT3
PIN1	DAT2
PIN NUMBER	PIN NAME

NOTES:

- MATERIAL:
 - 1-1 TERMINAL, FITTING NAIL, HIGE: COPPER ALLOY
 - 1-2 SHELL: STAINLESS STEEL
 - 1-3 HOUSING: LCP, UL 94-V0, BLACK
- FINISH:
 - 2-1 TERMINAL: OVERALL NICKEL UNDERPLATED, 20U" MIN GOLD PLATING ON CONTACT AREA
TIN PLATING ON SOLDER TAIL
 - 2-2 FITTING NAIL: OVERALL NICKEL UNDERPLATED, TIN PLATED ON SOLDER AREA
 - 2-3 HIGE: OVERALL NICKEL PLATING
- MECHANICAL SPECIFICATION:
 - DURABILITY MATED 5,000 TIMES AND STILL MEET ELECTRICAL CHARACTERISTICS
- ELECTRICAL SPECIFICATION:
 - 4-1 RATED CURRENT (PER CONTACT): 0.5AMPS MAX AND TEMPERATURE RISE SHOULD BE 30°C MAX
 - 4-2 INSULATION RESISTANCE(I.I.R): 100 MEGOHMS MIN.
 - 4-3 DIELECTRIC WITHSTANDING VOLTAGE: N/A
 - 4-4 CONTACT RESISTANCE: 100 MILLIOHMS MAX
- PRODUCT PACKING: PK-47219-001.
- PRODUCT SPECIFICATION: PS-47219-001.
- PRODUCT COMPLIANT TO RoHS DIRECTIVE 2002/95/EC AND ELV 2000/53/EC.

REVISED EC NO: SH2012-0233 DRW:GLL1 2012/01/18 CHKD:XOZHANG 2012/01/18 APPR:AYIN 2012/01/20	QUALITY SYMBOLS F=0 F=0 F=0	GENERAL TOLERANCES (UNLESS SPECIFIED)		DIMENSION STYLE MM ONLY		SCALE 1:1	DESIGN UNITS METRIC	THIRD ANGLE PROJECTION		
			mm	INCH	DRAWN BY XU XIANG	DATE 2005-09-27	TITLE TFR READER (HINGE TYPE)			
		4 PLACES	±---	±---	CHECKED BY XU XIANG	DATE 2006-03-15	MOLEX INCORPORATED			
		3 PLACES	±---	±---	APPROVED BY XJSONG	DATE 2011/09/13				
	ANGULAR ±1/2°		MATERIAL NO. 47219-2021	DOCUMENT NO. SD-47219-021		SHEET NO. 1 OF 1				
	DRAFT WHERE APPLICABLE MUST REMAIN WITHIN DIMENSIONS		THIS DRAWING CONTAINS INFORMATION THAT IS PROPRIETARY TO MOLEX INCORPORATED AND SHOULD NOT BE USED WITHOUT WRITTEN PERMISSION							

9 8 7 6 5 4 3 2 1