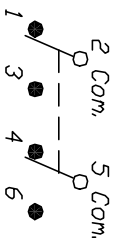


RECOMMENDED PCB LAYOUT



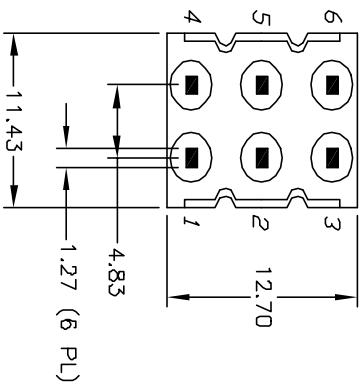
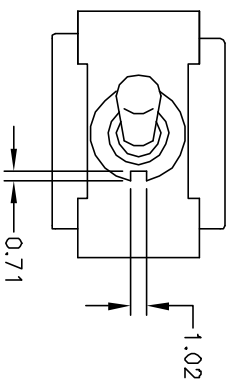
DPDT CIRCUIT

CONTACT CONFIGURATION

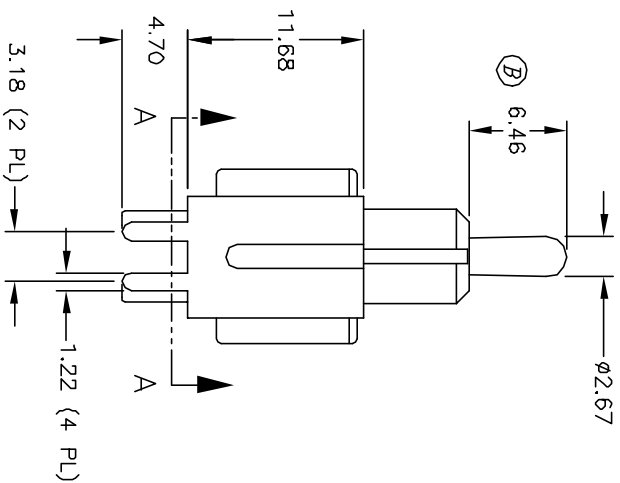
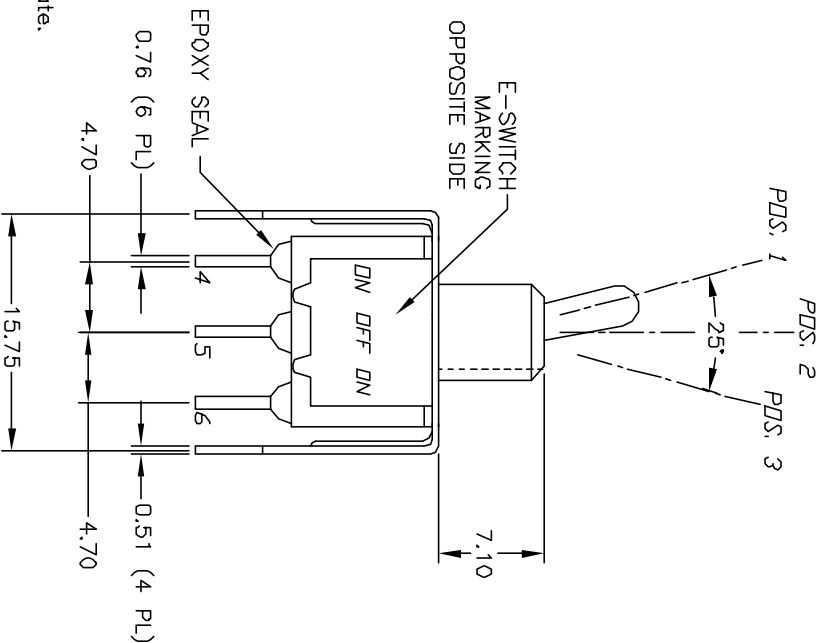
SWITCH FUNCTION		
PDS. 1	PDS. 2	PDS. 3
DN	OFF	DN
2-3, 5-6	DPEN	2-1, 5-4

NOTES:

1. ALL DIMENSIONS IN MM
2. GENERAL TOLERANCE: X.X=±0.4
X.XX=±0.25
3. TERMINAL NUMBERS FOR REF ONLY
4. RATING: 0.4(VA) Max. @20V (AC or DC)
5. FIXED TERM. & MOVING CONTACT: Copper Alloy
w/Gold Plate over Ni plate.
6. ELECTRIC LIFE: 50,000 make-and-break cycles
at full load.
7. INSULATION RESISTANCE: 1,000 Mega-ohm min.
8. DIELECTRIC STRENGTH: 1,000 V RMS @sea level.
9. OPERATING TEMP.: -30°C to 85°C



SECTION A-A
BRACKET NOT SHOWN



E-SWITCH®

REV.	ECN NO.	DESCRIPTION	DATE	CHKD
B	11547	REVISED ACTUATOR	6/29/01	CJB

TITLE	SCALE	DATE	DR	DWG	REV
100 DP-3 T2 B4 VS2 R E	2:1	5/11/01	CJB	T123032	B

THE INFORMATION CONTAINED IN THIS DOCUMENT IS PROPRIETARY TO E-SWITCH AND IS NOT TO BE COPIED OR TRANSMITTED