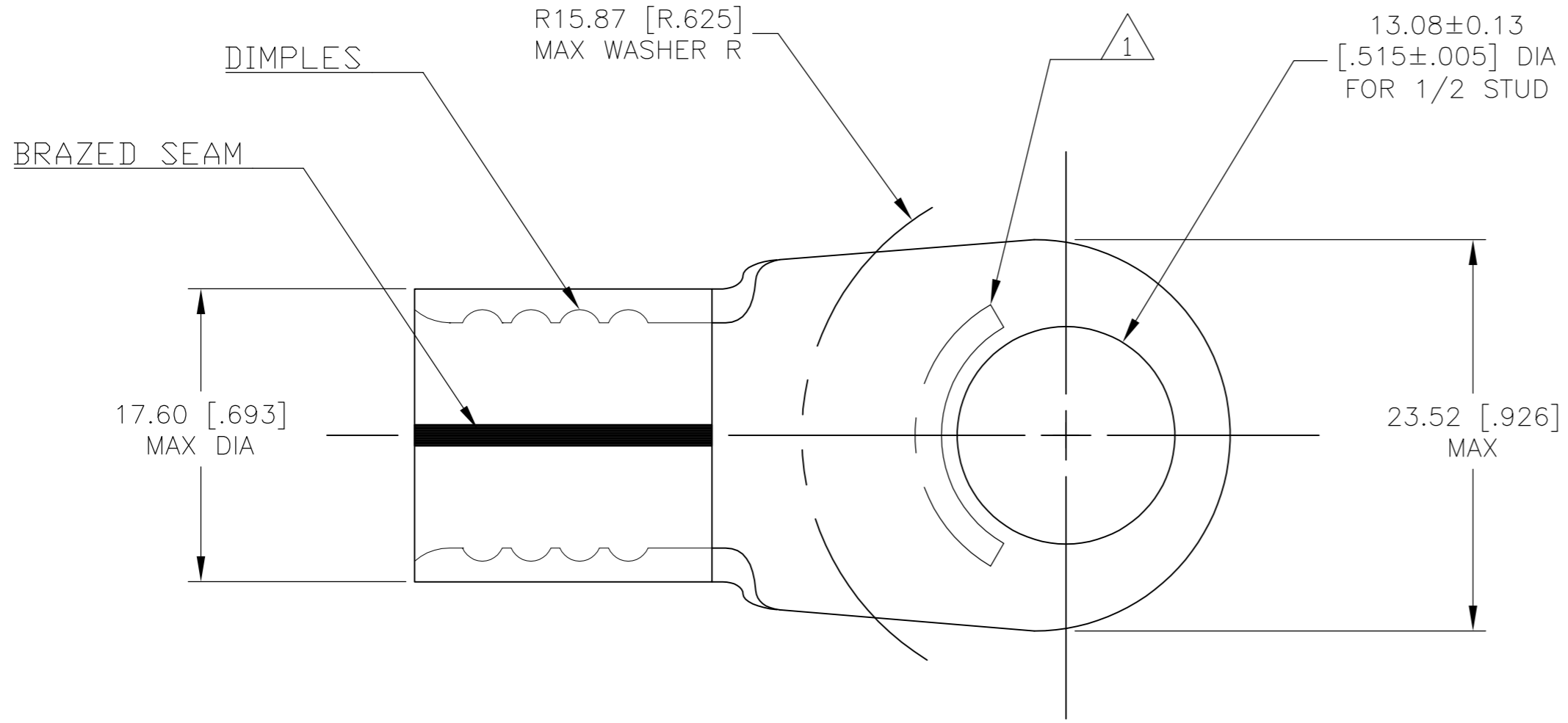


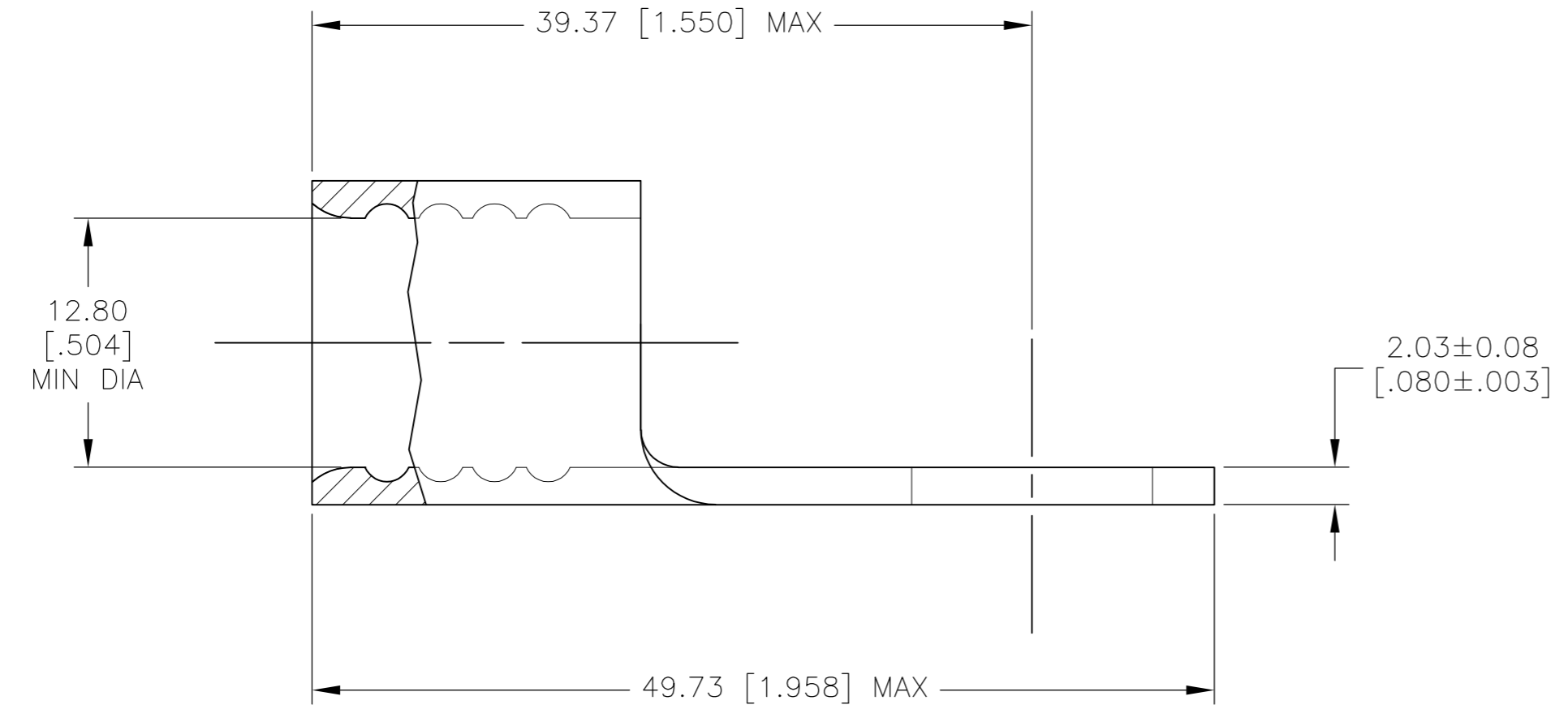
THIS DRAWING IS UNPUBLISHED. RELEASED FOR PUBLICATION  
 © COPYRIGHT BY TYCO ELECTRONICS CORPORATION. ALL INTERNATIONAL RIGHTS RESERVED.

LOC	DIST	REVISIONS			
P	LTR	DESCRIPTION	DATE	DWN	APVD
G	14	H	REV PER ECR 10-000722	22JAN10	JR TM



<b>AMP</b> WIRE RANGE	Listed FILE E13288	LR7189 Certified
2/0 AWG SOLID OR STRANDED	2/0 AWG STRANDED	2/0 AWG SOLID OR STRANDED

- 1 STAMP AMP 2/OW\* APPROX AS SHOWN
- 2 TIN PLATE 0.00254 [.000100] MIN THK PER ASTM B-545
- 3 BRIGHT TIN LEAD PLATE 0.00254 [.000100] MIN EXT THK PER B-545
- 4 COPPER PER ASTM B-152, ANNEALED
- 5 MEETS MS20659-136, CLASS 2



50	LOOSE PIECE	3	2-321873-2
50	LOOSE PIECE	2	321873
QTY	PACKAGE TYPE	FINISH	PART NO.

MAX RECOMMENDED OPERATING TEMPERATURE: 170°C MAX	THIS DRAWING IS A CONTROLLED DOCUMENT.		DWN DK SCHRUM 1/14/94	Tyco Electronics Corporation Harrisburg, PA 17105-3608	
	VOLTAGE RATING: N/A	DIMENSIONS: MM [INCHES]	CHK AJ KAUFMAN 1/19/94		
CIRCULAR MIL AREA: 60.6-76.3mm² [119,500-150,500] SOLID OR STRANDED	TOLERANCES UNLESS OTHERWISE SPECIFIED: 0 PLC ± - 1 PLC ± - 2 PLC ± 0.20[.008] 3 PLC ± - 4 PLC ± - ANGLES ± -	APVD JL MECKLEY 1/19/94	NAME TERMINAL, RING TONGUE, SOLISTRAND		RESTRICTED TO
MATERIAL - 4	FINISH SEE TABLE	PRODUCT SPEC -	APPLICATION SPEC -	SIZE A2	CAGE CODE 00779
CUSTOMER DRAWING			WEIGHT -	DRAWING NO C=321873	SCALE 2:1
				SHEET 1 of 1	REV H