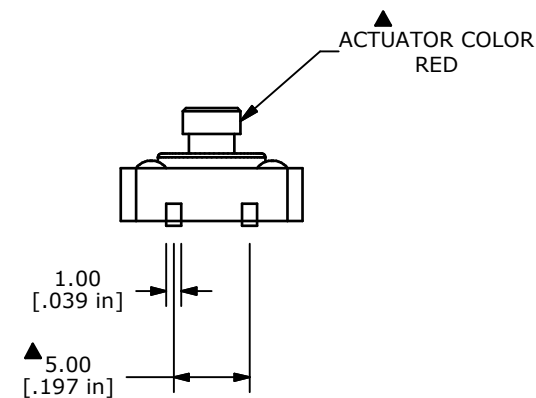
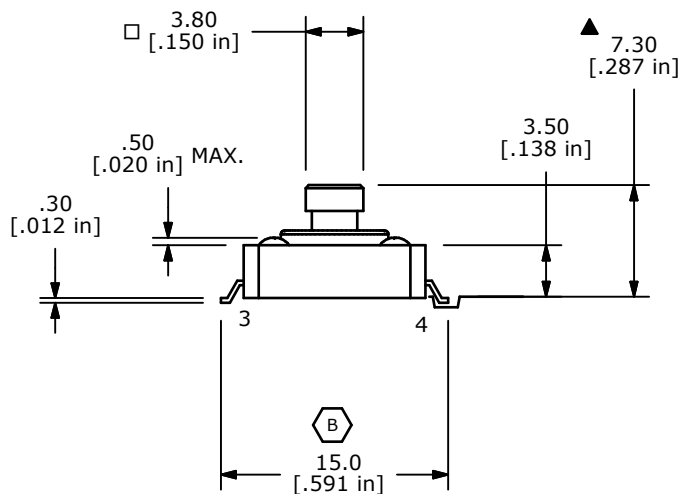


ISOMETRIC



NOTES:

1. ALL DIMENSIONS IN MM [INCH]
2. GENERAL TOLERANCE: X.X=±0.4
X.XX=±0.25
3. TERM. NOS. FOR REFERENCE ONLY.
4. RATING: 50mA @ 12VDC
5. OPERATING FORCE: 260 ± 50 gms
- ▲ 6. TRAVEL: 0.35mm ±0.1
7. CONTACT RESISTANCE: 100 MILLI OHMS MAX. (INITIAL)
8. MECHANICAL/ELECTRICAL LIFE 100,000 CYCLES MIN.
9. INSULATION RESISTANCE: 100M OHMS MIN. AT 500VAC
11. DIELECTRIC STRENGTH: 250VAC FOR 1 MINUTE
- ▲ 10. PACKAGING: 500 PCS. PER TAPE & REEL
11. 2002/95/EC (ROHS) COMPLIANT
12. ▲ DENOTES CRITICAL PARAMETER



| | | | | |
|-----|--------|-------------------------------|---------|-----|
| B | 19309 | ADJUST DIM FOR TERMINAL WIDTH | 9/20/10 | BLR |
| A | 19149 | Released For Production | 4/30/10 | BLR |
| REV | PCR NO | DESCRIPTION | DATE | BY |

| | | | | |
|--------------------|----------|-----|---------|-----|
| TITLE TL3300AF260Q | | | | |
| SCALE | DATE | DR | DWG | REV |
| 2:1 | 7/9/2010 | BLR | N301103 | B |

THE INFORMATION CONTAINED IN THIS DOCUMENT IS PROPRIETARY TO E-SWITCH AND IS NOT TO BE COPIED OR TRANSFERRED