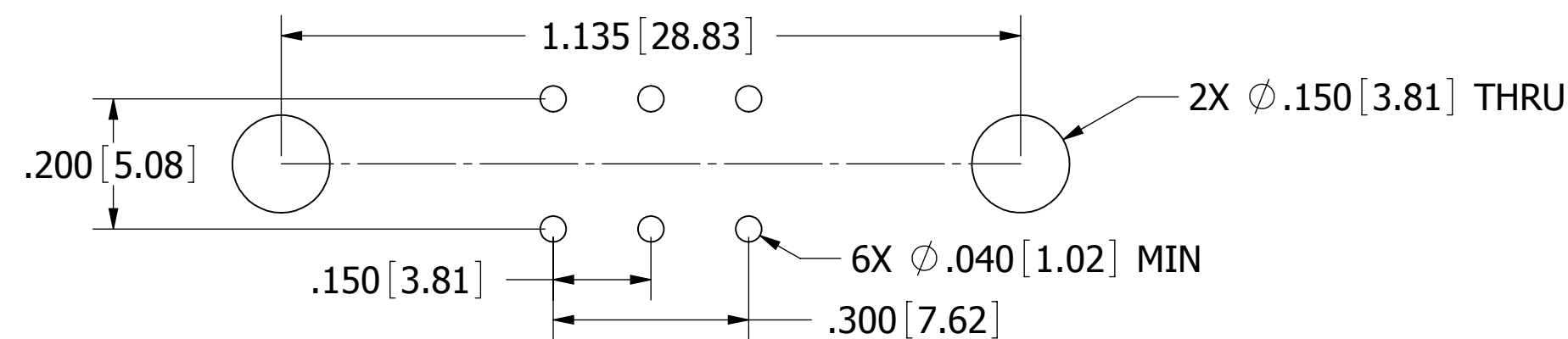
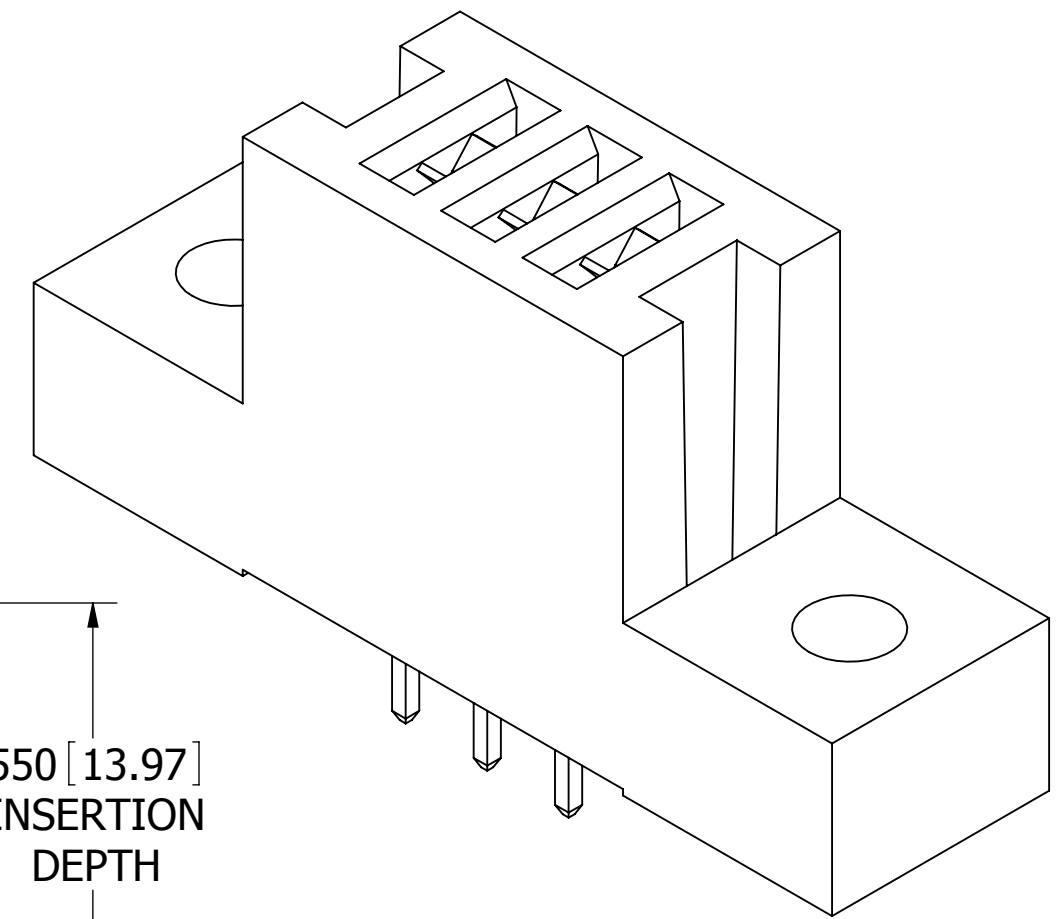
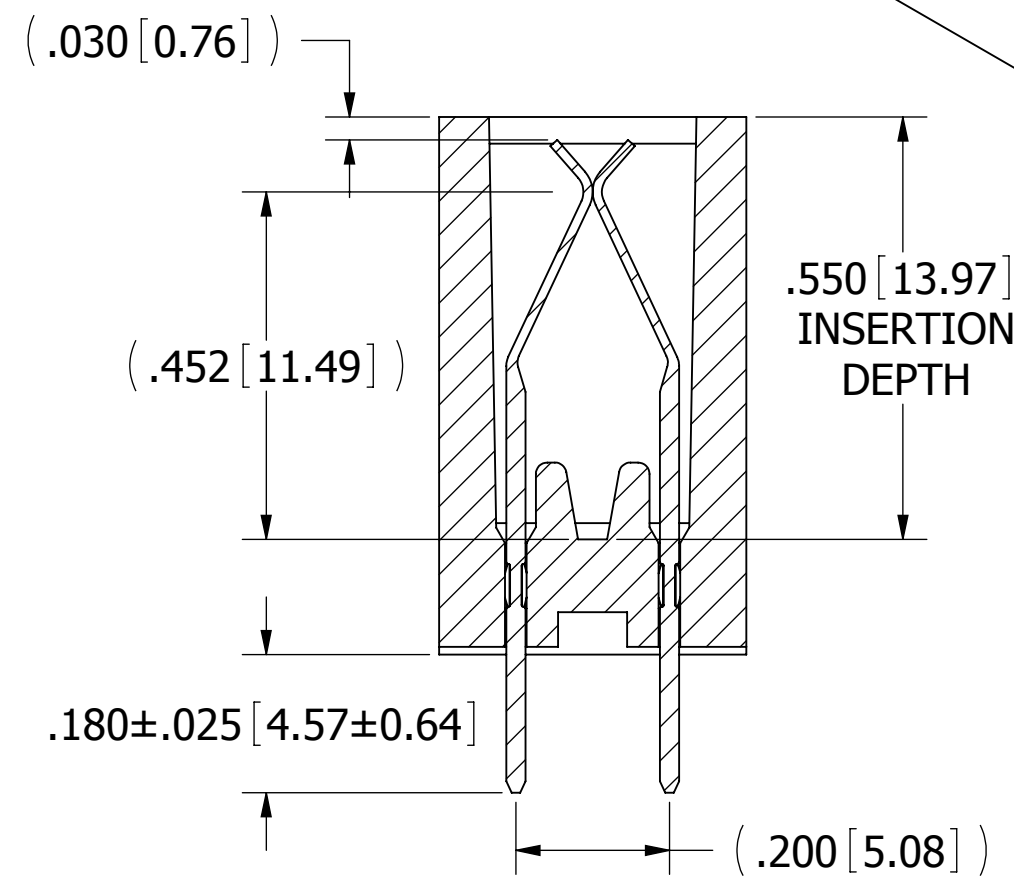
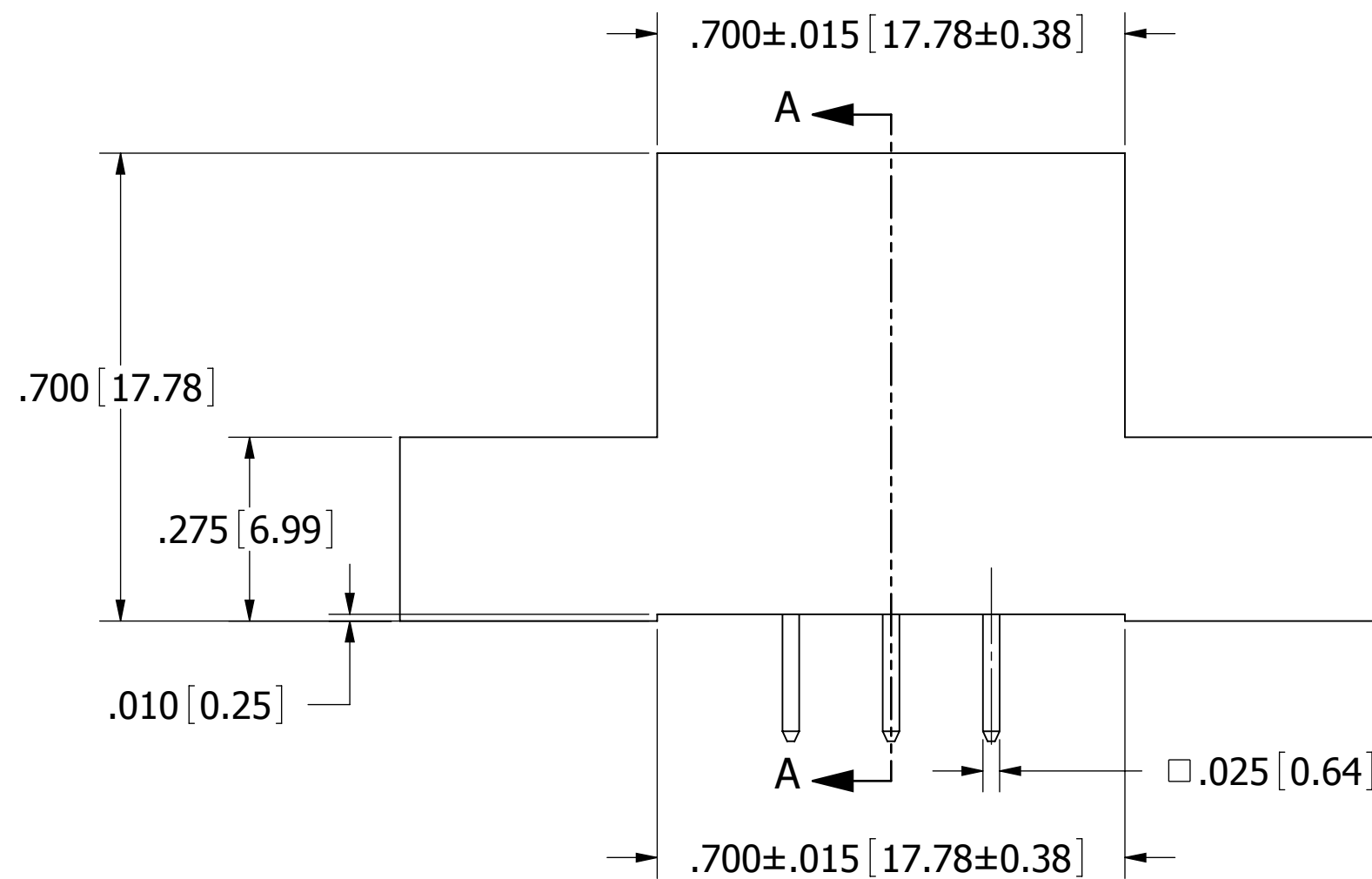
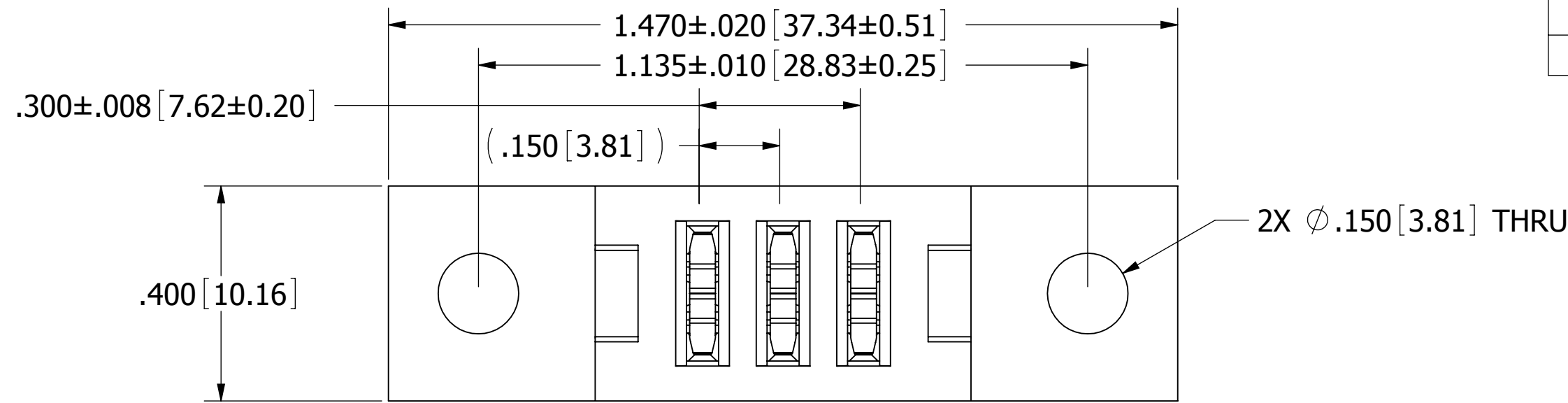


| REVISIONS | | | | |
|-----------|---------|-------------------------------|-----------|----|
| REV. | ECO. NO | DESCRIPTION | DATE | BY |
| B | 2661 | UPDATED NOTE & DRAWING FORMAT | 9/6/2012 | KV |
| C | 2779 | UPDATE TITLE & NOTES | 5/22/2013 | JH |



PCB LAYOUT RECOMMENDED

NOTES:

- INSULATOR MATERIAL: BROWN PPS
- CONTACT MATERIAL: BERYLLIUM COPPER
- PLATING: .000050" MIN NICKEL UNDERPLATE
CONTACT SURFACE: .000030" GOLD
TERMINATION: .000010" GOLD OVERALL
- OPERATING TEMPERATURE: -65 °C TO +175 °C
- PROCESSING TEMP: 260 °C FOR 20 SECONDS MAX
- UL FLAMMABILITY RATING: 94V-0
- OPERATING VOLTAGE: 850 VAC MINIMUM AT SEA LEVEL
- CURRENT RATING: 3 AMP
- CONTACT RESISTANCE: 30 MILLI OHMS MAX
- INSULATION RESISTANCE: 5000 MEGA OHMS
- DURABILITY: 500 CYCLES MIN
- CONNECTOR IDENTIFICATION: THE PART SHALL BE MARKED WITH A PART NUMBER AND LOT CODE
- MODIFICATION: BODY WIDTH .400", $\phi .150$ " MOUNTING HOLES, 1.135" HOLE TO HOLE DIM, SHORTING CANTILEVER CONTACTS ALL POSITIONS.

CUSTOMER COPY



| | | | | |
|--|---|--------------|------|-----------------|
| UNLESS OTHERWISE SPECIFIED: DIMENSIONS ARE IN INCHES [MM] | DRAWN | DATE | NAME | |
| | | 03/02/11 | JH | |
| TOLERANCES: ANGULAR: ± 1° DECIMALS .XX= ± .02 [.5] .XXX= ± .005 [.13] .XXXX= ± .0005 [.013] | <small>THE INFORMATION HEREIN CONTAINS PROPRIETARY INFORMATION OF SULLINS ELECTRONICS AND IS NOT TO BE REPRODUCED, USED OR DISCLOSED TO OTHERS FOR ANY PURPOSE EXCEPT AS SPECIFICALLY AUTHORIZED IN WRITING BY AN OFFICER OF SULLINS ELECTRONICS.</small> | | | TITLE |
| | | | | TO-254 SOCKET |
| PART NUMBER | | | | TMJ03DKSD-S1512 |
| SIZE | CAGE CODE | DWG. NO. | REV | |
| C | 54453 | C11667 | C | |
| SCALE: 4:1 | | SHEET 1 OF 1 | | |