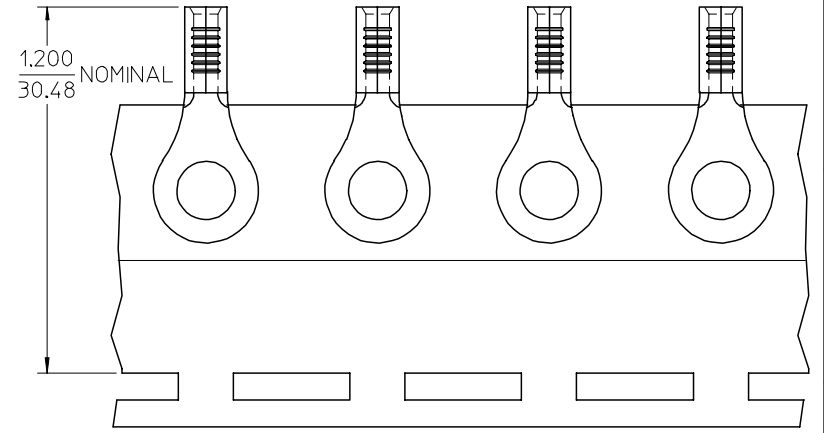
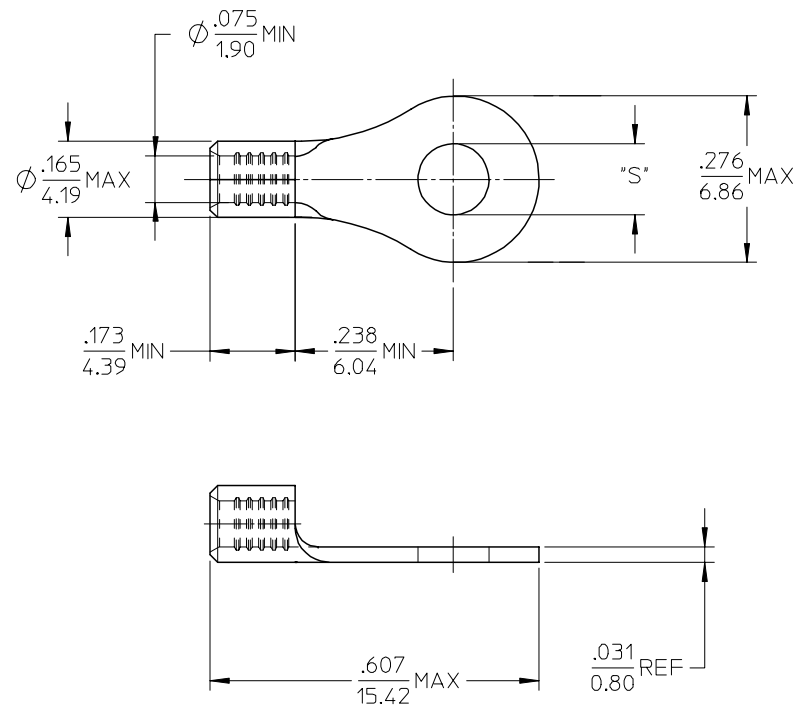


MATERIAL NO.	ENG. NO.	STUD SIZE	"S" MAX	DESCRIPTION
192030489	B-S-123-06	6	.149/3.78	LOOSE
192030043	B-S-123-06T	6	.149/3.78	TAPE



PARTS ON TAPE

NOTE(S):

1. MATERIAL: STEEL
2. WIRE SIZE: 16-14 AWG (1.5-2.5 MM<sup>2</sup>)
3. FINISH: NICKEL PLATING
4. PART IS ROHS COMPLIANT.
5. AMBIENT OPERATING TEMPERATURE UP TO 900 °F (483 °C).

ADDED OPERATING TEMP  
 EC NO: ETC2007-0297  
 DRW: NEHLE 2007/03/13  
 CHKD: JMACNEIL 2007/03/13  
 APPR: JMACNEIL 2007/03/14

REV	DESCRIPTION	QUALITY SYMBOLS
▽=0		
▽=0		

GENERAL TOLERANCES (UNLESS SPECIFIED)	
mm	INCH
4 PLACES ± ---	± ---
3 PLACES ± ---	± ---
2 PLACES ± ---	± ---
1 PLACE ± ---	± ---
ANGULAR ± ---°	

DIMENSION STYLE	
IN/MM	
DRAWN BY	DATE
EHILE	2006/09/20
CHECKED BY	DATE
JMACNEIL	2006/09/20
APPROVED BY	DATE
JMACNEIL	2006/09/20

SCALE	DESIGN UNITS	THIRD ANGLE PROJECTION
4:1	INCH	☉
TITLE		
RING TONGUE TERMINAL, 16-14 AWG, KRIMP TITE, 900 DEG F (483 DEG C)		
MATERIAL NO. DOCUMENT NO. SHEET NO.		
SEE CHART	SD-19203-027	1 OF 1
MATERIAL NO. DOCUMENT NO. SHEET NO.		
SEE CHART	SD-19203-027	1 OF 1

THIS DRAWING CONTAINS INFORMATION THAT IS PROPRIETARY TO MOLEX INCORPORATED AND SHOULD NOT BE USED WITHOUT WRITTEN PERMISSION