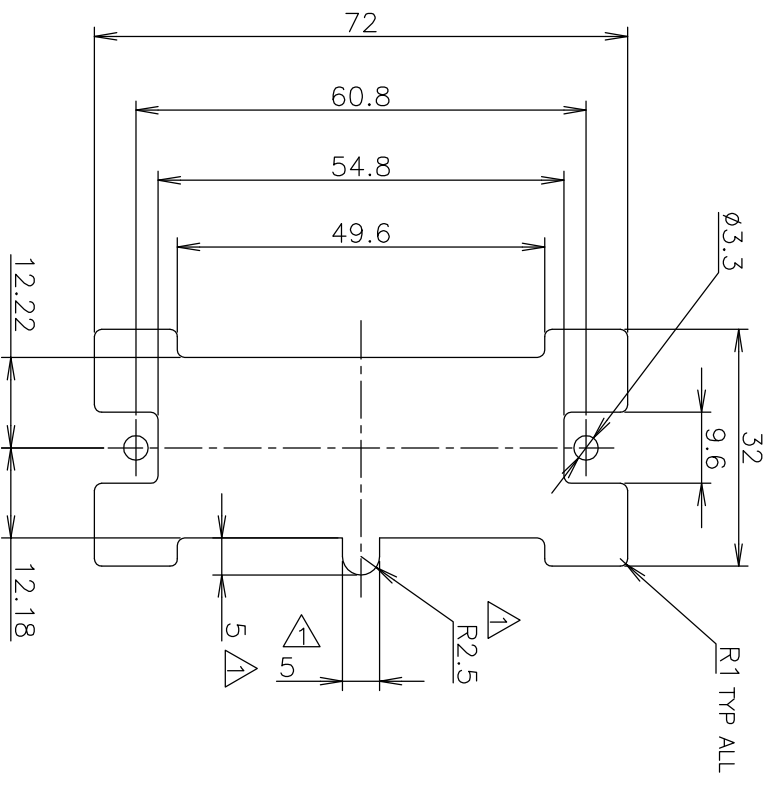
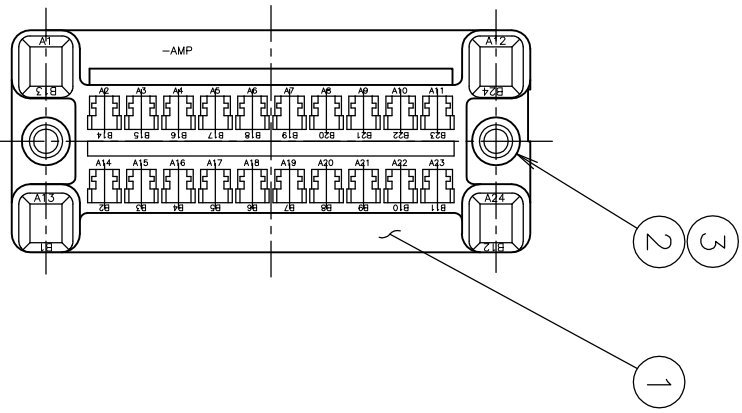
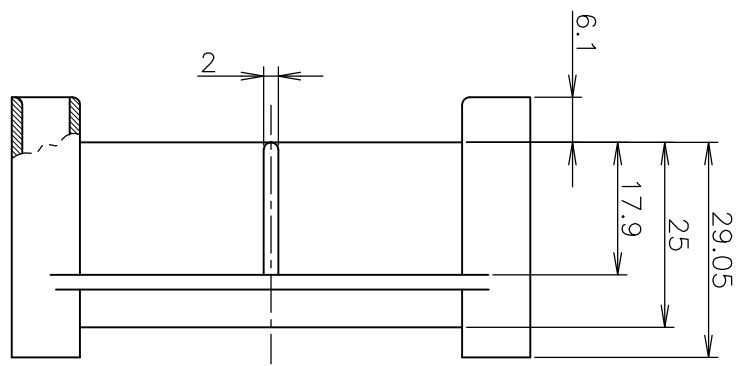
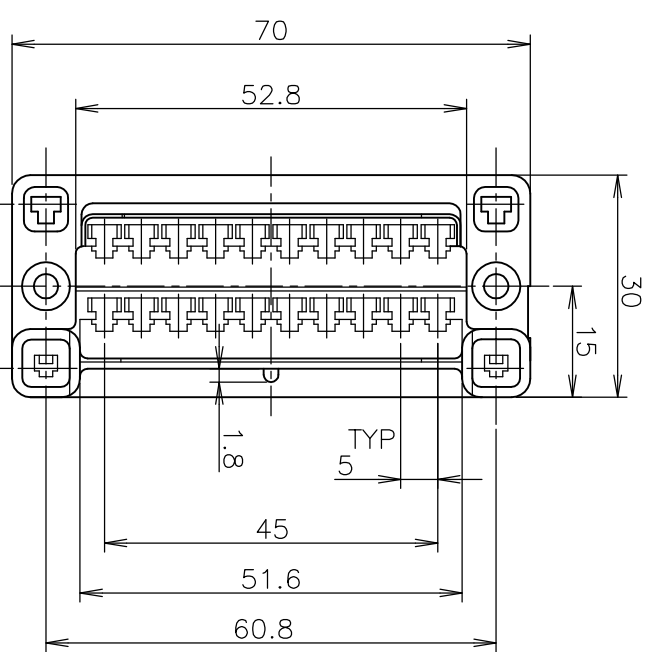
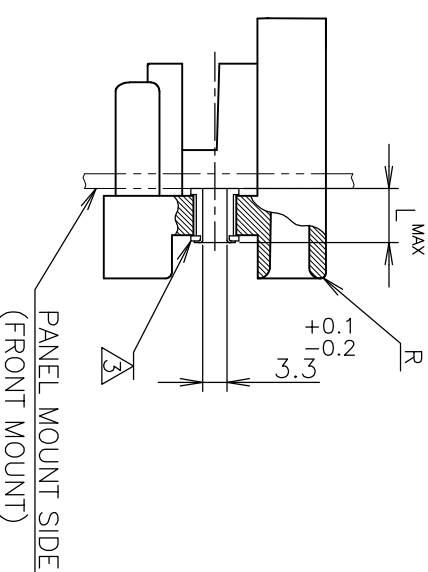


LOC	DIST	REVISIONS	DATE	DMN	APVD
J		DESCRIPTION			
P	LTR	REVERSED	18APR06	C.Z	S.Y
B		ECR-06-009116			



PANEL CUT DIMENSIONS
(FRONT MOUNT)



THIS DIMENSION USELESS IN CASE OF REAR MOUNTING.
 2 CONTACT P/N
 DRAWER CONTACT (20EA)
 AWG#24~#20 P/N: 170311-1, 170313-1
 AWG#20~#16 P/N: 170484-1, 170485-1
 MIC CONTACT (4EA)
 TAB CONTACT P/N: 170221-4, 170222-3 (Au Pl: 0.76u)
 RECEPTACLE CONTACT P/N: 170286-4, 170289-3 (Au Pl: 0.76u)
 P/N: 170286-2, 170289-2 (Au Pl: 0.76u)

FLOATING ALLOWANCE TO CONTACT AXIS IS LONGITUDINAL DIRECTION AND LATERAL DIRECTION.

QTY	READ PER ASSY	DESCRIPTION	UNIT	MATERIAL (FINISH)	ITEM
2	-1	LONGITUDINAL LATERAL	0.3	BUSH 5.0 DIA	③
1	2	LONGITUDINAL LATERAL	0.05	BUSH 5.66 DIA	②
1	1	LONGITUDINAL LATERAL	0.14	HSG 24P HIGH CURRENT DRAWER	①
-2	-1	FLOATING ALLOWANCE		NAME	

PART LIST
 DMN: C.ZHU
 CHK: I.WANG
 APVD: S.YAO
 PRODUCT SPEC: 07SEPO5
 APPLICATION SPEC: 07SEPO5
 WEIGHT: 07SEPO5
 CUSTOMER DRAWING: 07SEPO5

tyco Electronics
 Tyco Electronics AMP K.K.
 Kawasaki, Japan
 24 POSITION HIGH CURRENT DRAWER WITH BUSH

GENERAL TOLERANCE
10 ≥ : ±0.2
30 ≥ > 10: ±0.25
100 ≥ > 30: ±0.3
ANGLES: ±3°

DIMENSIONS:	TOLERANCES UNLESS OTHERWISE SPECIFIED:
mm	0 PLC ±
	1 PLC ±
	2 PLC ±
	3 PLC ±
	4 PLC ±
	ANGLES ±

MATERIAL	FINISH
SEE TABLE	SEE TABLE