

Stacked Coin Type

Series : **RG**



Features

- Endurance : +85 °C 2000 h
- Can be discharged mA current
- RoHS compliant

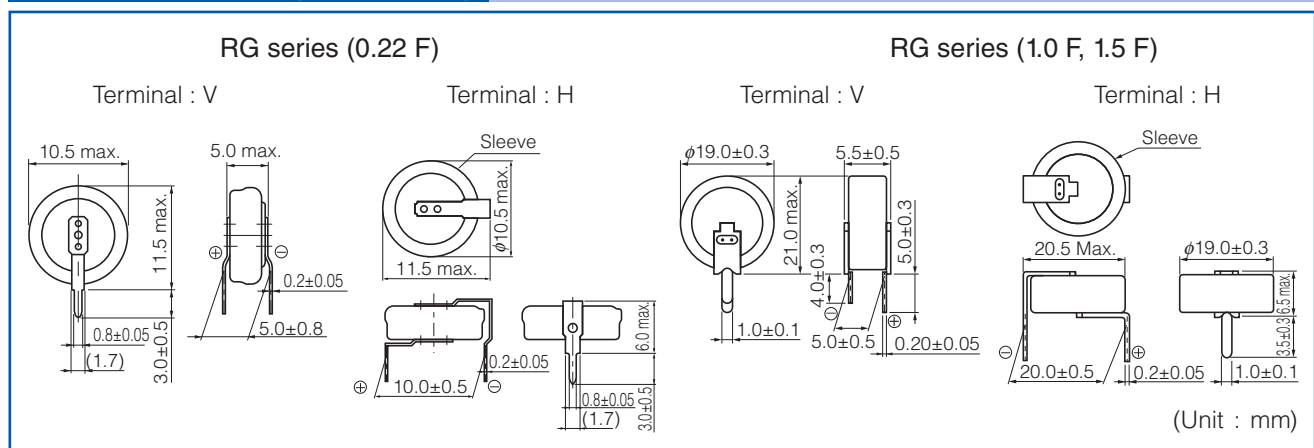
Recommended applications

- Backup of data/RTC of base station, electronic meter, and industrial equipment
- For assist of rapid load change

Specifications

Category temp. range	-25 °C to +85 °C		
Maximum operating voltage	3.6 V.DC		
Nominal capacitance	0.22 F	1.0 F, 1.5 F	
Characteristics at low temperature	Capacitance change	±30 % of initial measured value at +20 °C (at -25 °C)	
	Internal resistance	≤ 5 times of initial measured value at +20 °C (at -25 °C)	
Endurance	After 2000 hours application of maximum operating voltage at +85 °C		
	Capacitance change	±30 % of initial measured value at 20 °C	
	Internal resistance	100 Ω or less (0.22 F) 40 Ω or less (1.0 F, 1.5 F)	
Shelf life	After 2000 hours storage at +85 °C without load (voltage)		
	Capacitance change	Capacitance change shall meet the specified limits for Endurance	
	Internal resistance	Internal resistance shall meet the specified limits for Endurance	

Dimensions in mm(not to scale)



Characteristics list

Category temp. range (°C)	Maximum operating voltage (V.DC)	Capacitance (F)	Capacitance tolerance (F)	Internal resistance (Initial specified value) (Ω) at 1 kHz	Recommended *1 discharge current (mA)	Parts number	Mass (Reference value) (g)	Min. packaging q'ty (pcs)
-25 to +85	3.6	0.22	0.176 to 0.396	≤ 50	1 or less	EECRG0V224()	1.0	200
		1.0	0.8 to 1.8	≤ 20	20 or less	EECRG0V105()	4.1	100
		1.5	1.2 to 2.7	≤ 20	20 or less	EECRG0V155()	4.2	100

() : Please use V or H to indicate terminal type.

*1 The recommended discharge current is a reference value. Please design your equipment(circuit) in consideration of IR drop.

Do not use reflow soldering. Please refer to the page of "Application guidelines".