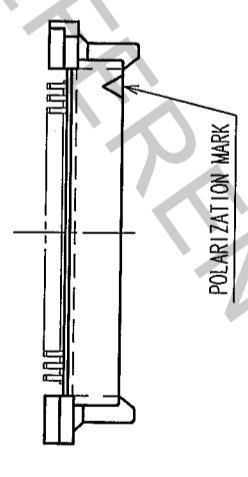
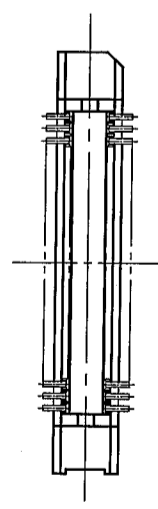
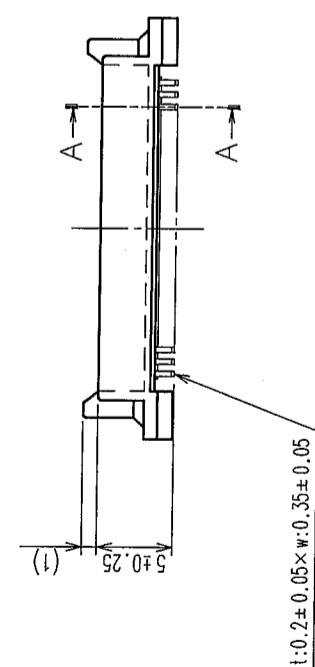
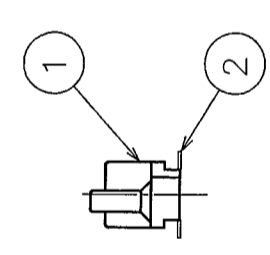
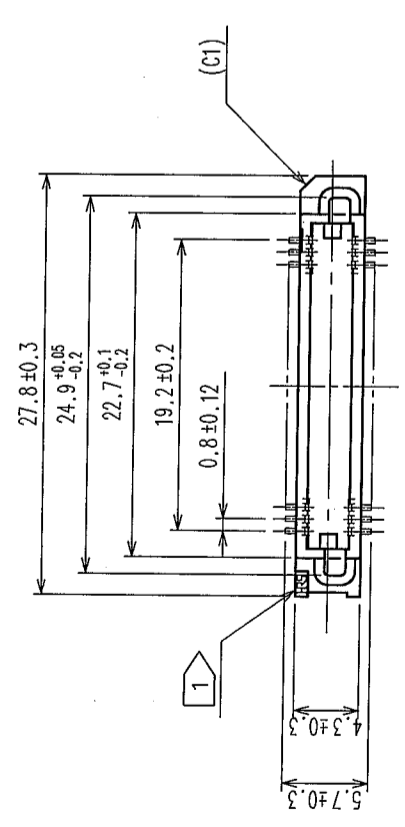
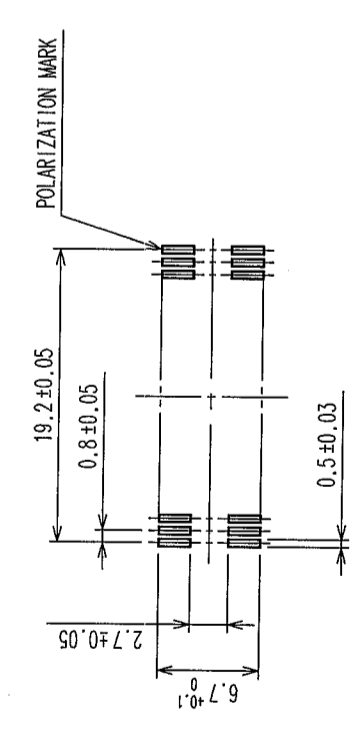


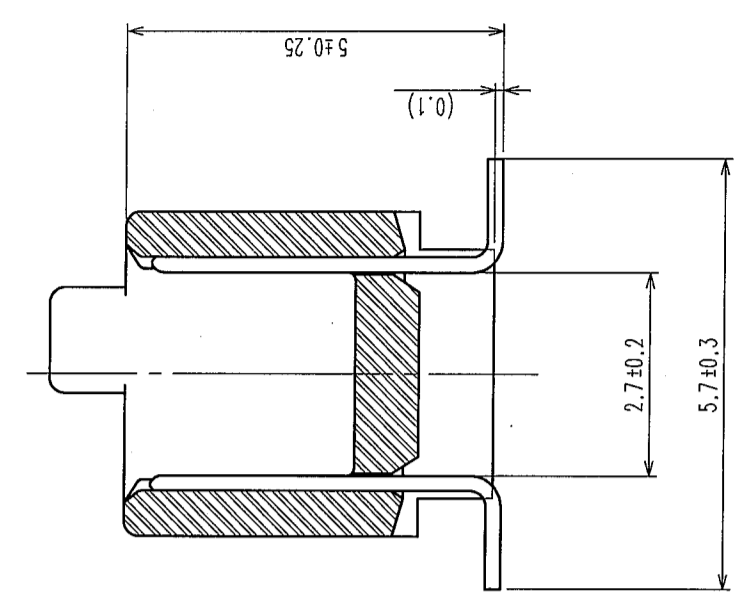
COUNT	DESCRIPTION OF REVISIONS	BY	CHKD	DATE	COUNT	DESCRIPTION OF REVISIONS	BY	CHKD	DATE
△					△				
△					△				
△					△				



RECOMMENDED P.C.B. LAND PATTERN (MOUNT SIDE)



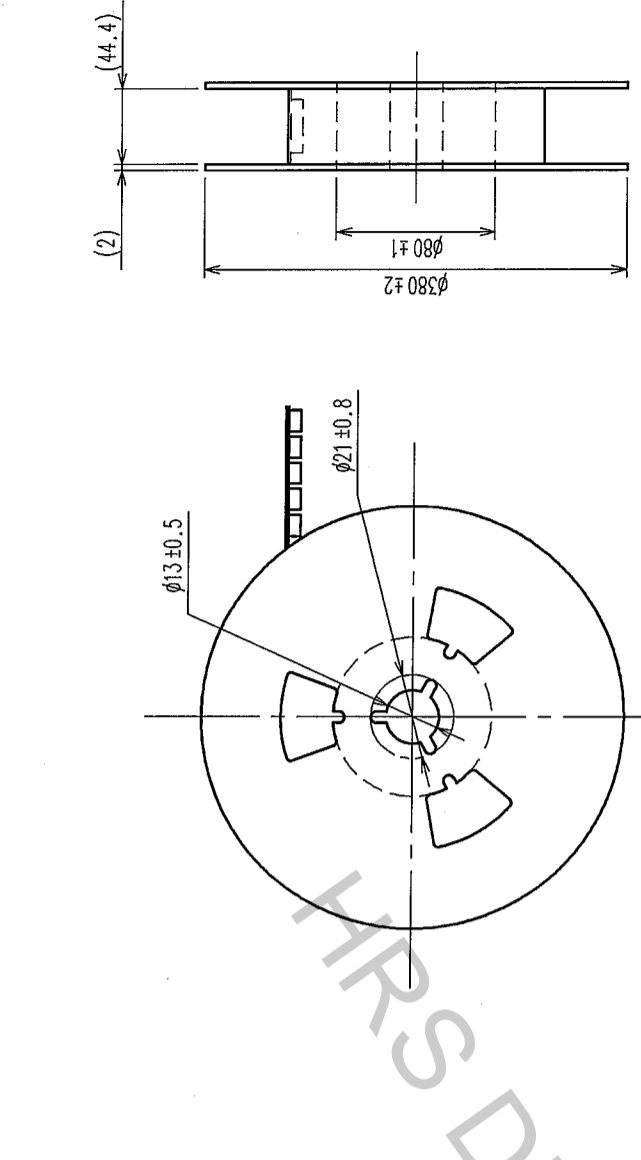
A-A (10:1)



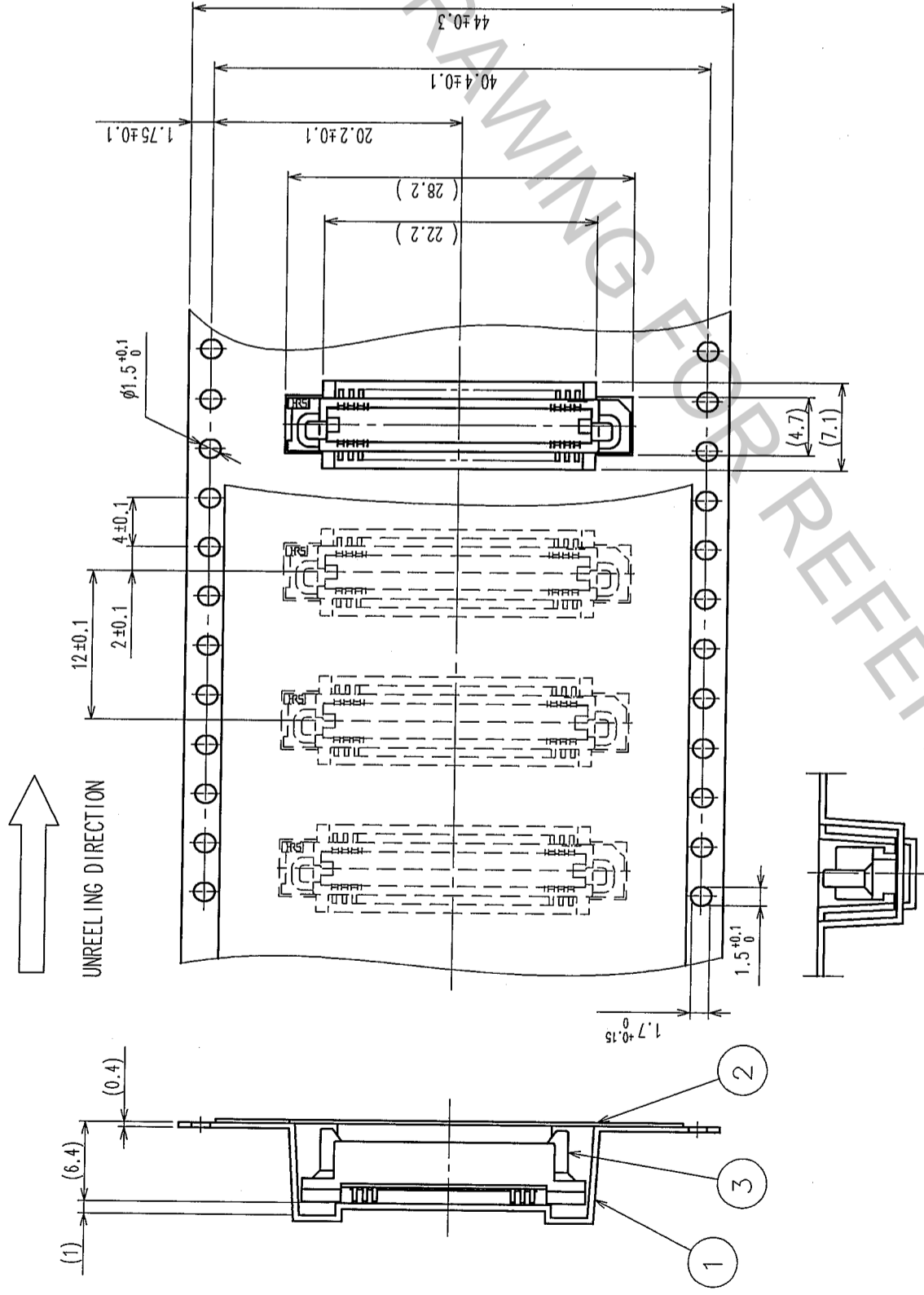
- NOTE
- 1 HRS MARK SHALL BE OPTIONAL.
 - 2 LEAD CO-PLANARITY SHALL BE 0.1mm MAX.
 - 3 THE DIMENSIONS IN PARENTHESES ARE FOR REFERENCE.
 - 4 EMBOSSED CARRIER TAPE PACKAGING SHALL BE APPLIED FOR THIS PRODUCT.
 - 5 FOR MODIFICATION, ETC, PREVENTIVE HOLE FOR SINK MARK MAY BE ADDED ACCORDING TO CIRCUMSTANCES.

1	POLYPHENYLENE SULFIDE	LIGHT BROWN	UL94V-0	2	PHOSPHOR BRONZE	CONTACT AREA : GOLD 0.1μm min. LEAD AREA : TIN-PLATING 1μm min. UNDER PLATING : NICKEL 1μm min.
NO.	MATERIAL	FINISH, REMARKS	NO.	MATERIAL	FINISH, REMARKS	
CODE NO. (OLD)	CL		DRAWN	DESIGNED	CHECKED	APPROVED
			Y. AOYAGI	H. Mada	K. Ogawa	H. Kawara
			'05.09.15	'05.09.26	'05.09.26	'05.09.26
DRAWING NO.		PART NO.		RELEASED		
EDC3-071643-22		FX6A-50P-0.8SV1(92)				
SCALE		UNITS		CODE NO.		
2 : 1		mm		CL576-0224-8-92		
HRS		HIROSE ELECTRIC CO., LTD		1/2		

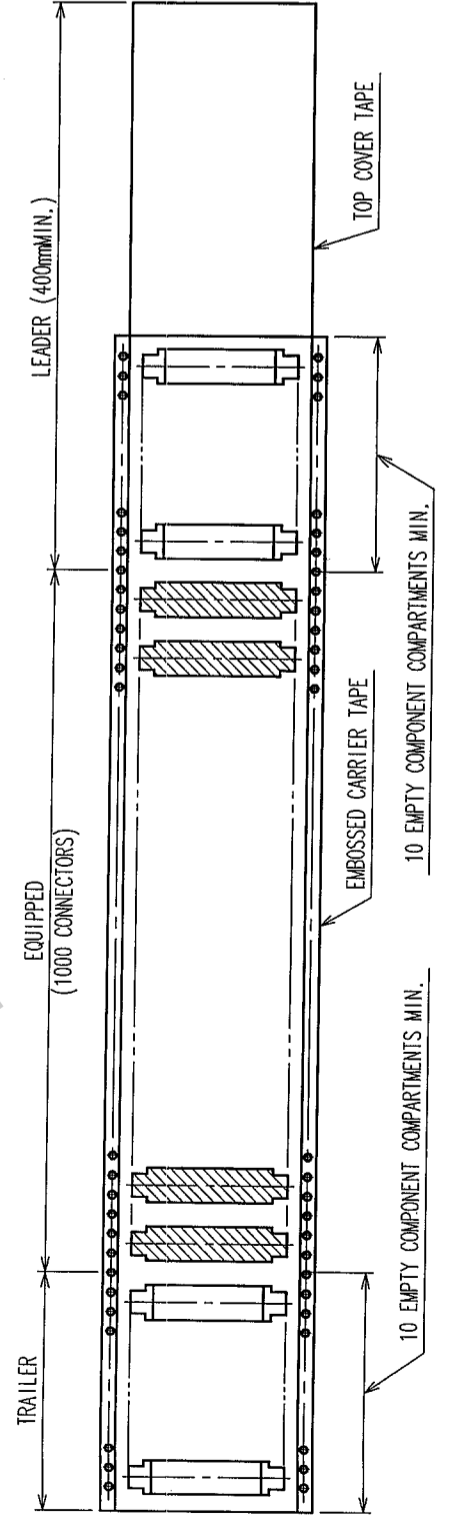
COUNT	DESCRIPTION OF REVISIONS	BY	CHKD	DATE	COUNT	DESCRIPTION OF REVISIONS	BY	CHKD	DATE
△					△				
△					△				
△					△				



REEL DIMENSION (FREE)



NOTE 1 THE DIMENSIONS IN PARENTHESES ARE FOR REFERENCE.
2 1 REEL : 1000 CONNECTORS



NO.	MATERIAL	FINISH, REMARKS	NO.	MATERIAL	FINISH, REMARKS
2	POLYESTER	TOP COVER TAPE	3		(CONNECTOR)
1	POLYSTYRENE	EMBOSSED CARRIER TAPE			

CODE NO. (OLD)	CL	DRAWN	DESIGNED	CHECKED	APPROVED	RELEASED
		Y. AOYAGI '05.09.15	<i>S. Mada</i> '05.09.26	<i>C. Oyama</i> '05.09.26	<i>H. Kawa</i> '05.09.26	

DRAWING NO.	PART NO.
EDC3-071643-22	FX6A-50P-0.8SV1(92)

SCALE	UNITS	CODE NO.
2 : 1	mm	CL576-0224-8-92