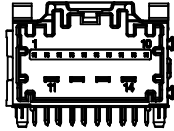
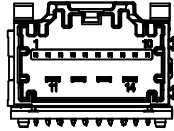


POLARIZATION OPTION "A"
PN/ 34773-0140



POLARIZATION OPTION "B"
PN/ 34773-0141



POLARIZATION OPTION "C"
PN/ 34773-0142

NOTES: VALID UNLESS OTHERWISE SPECIFIED
1. GENERAL:

a. CONNECTOR HEADER MUST BE VALIDATED TO THE FOLLOWING FUNCTIONAL REQUIREMENTS:

PIN RETENTION = USCAR-2 REV 5

SOLDERABILITY = SMES-152

b. APPLICATION REQUIREMENTS (REFERENCE ONLY) FOR:

SEE APPLICATION SPECIFICATION = TBD

SEE PRODUCT SPECIFICATION = TBD

MATES WITH: 34776-014w/34916-014w/34927-014w/34969-014w

c. PACKAGING SPECIFICATION SEE CHART.

2. DESIGN: MATERIALS:

a. SHROUD (PLASTIC HOUSING):
RESIN - SPS 30%GF

b. 0.64mm BLADES:
BASE MATERIAL: C26000
PLATING TYPE: AS NOTED

2.80mm BLADES:
BASE MATERIAL: C19400
PLATING TYPE: AS NOTED

c. PIN ALIGNMENT PLATE : MYLAR OR THERMAVOLT

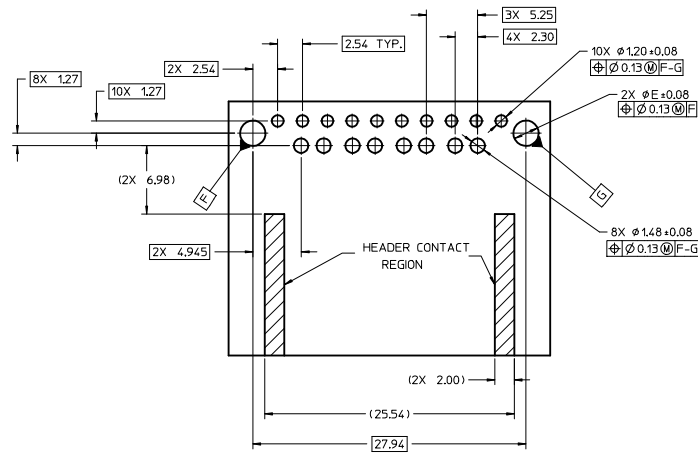
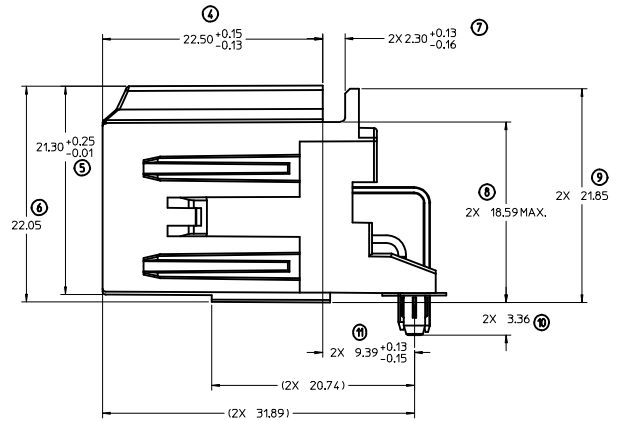
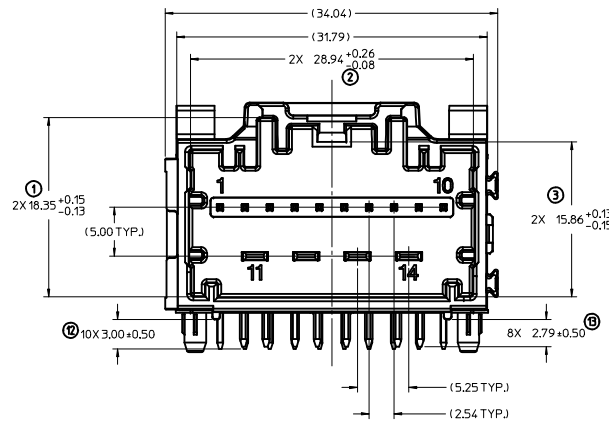
3. PLATING REQUIREMENTS:

a. UNDERPLATING - OVERALL NICKEL

b. OVERPLATING - OVERALL TIN

MATERIAL NUMBER		CKT SIZE	DESCRIPTION	POL	COLOR
TRAY PACKAGING PK-31300-892	TUBE PACKAGING PK-31301-063				
34773-0140	34773-9140	14	STAC64 RIGHT ANGLE HEADER ASSEMBLY MYLAR PAP	A	BLACK
34773-0141	34773-9141	14	STAC64 RIGHT ANGLE HEADER ASSEMBLY MYLAR PAP	B	GREY
34773-0142	34773-9142	14	STAC64 RIGHT ANGLE HEADER ASSEMBLY MYLAR PAP	C	BROWN
34773-1140	34773-8140	14	STAC64 RIGHT ANGLE HEADER ASSEMBLY THERMAVOLT PAP	A	BLACK
34773-1141	34773-8141	14	STAC64 RIGHT ANGLE HEADER ASSEMBLY THERMAVOLT PAP	B	GREY
34773-1142	34773-8142	14	STAC64 RIGHT ANGLE HEADER ASSEMBLY THERMAVOLT PAP	C	BROWN

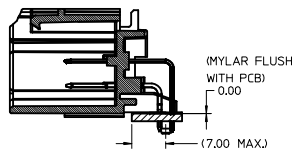
ENTER DESCRIPTION IEC NO: UAU2015-1761 CHYD: DRW:N.FISCHERO1 2015/05/21 APPR:RBAUMAN 2015/05/22 REV:	QUALITY SYMBOLS	GENERAL TOLERANCES (UNLESS SPECIFIED)	DIMENSION STYLE	SCALE	DESIGN UNITS	THIRD ANGLE PROJECTION	
	▽=0	mm INCH	MM ONLY	2:1	METRIC		
	▽=0	4 PLACES ± --- ± ---					
	▽=0	3 PLACES ± --- ± ---					
		2 PLACES ± 0.13 ± ---					
		1 PLACE ± 0.25 ± ---					
		0 PLACE ± ±					
		ANGULAR ± 3 °					
		DRAFT WHERE APPLICABLE MUST REMAIN WITHIN DIMENSIONS					
			DRAWN BY	DATE	TITLE		
			LSONG05	2011/01/13	STAC64 SINGLE BAY RIGHT ANGLE ASSEMBLY 14 CKT HYBRID		
			CHECKED BY	DATE			
			VDANIELE	2011/01/13			
			APPROVED BY	DATE			
			SMARCEAU	2011/01/28			
			MATERIAL NO.	DOCUMENT NO.	SHEET NO.		
			SEE TABLE	SD-34773-010	1 OF 2		
			THIS DRAWING CONTAINS INFORMATION THAT IS PROPRIETARY TO MOLEX INCORPORATED AND SHOULD NOT BE USED WITHOUT WRITTEN PERMISSION				



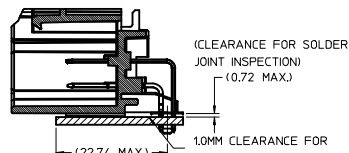
POST HOLE TABLE

	DIM E
PRESS FIT	Ø2.60
DROP IN	Ø3.05

RECOMMENDED PCB LAYOUT



PANEL MOUNTING
SCALE 2:1



FLUSH MOUNTING
SCALE 2:1

* RECOMMENDED FOR PIN THROUGH PASTE REFLOW PROCESSING

ENTER DESCRIPTION EC NO: UAU2015-1761 DRAWN: FISCHER01 2015/05/21 CHKD: APPR: RBALMAN 2015/05/22 REV	QUALITY SYMBOLS ▽=0 ▽=0 ▽=0	GENERAL TOLERANCES (UNLESS SPECIFIED)		DIMENSION STYLE	SCALE	DESIGN UNITS	THIRD ANGLE PROJECTION
		mm	INCH	MM ONLY	4:1	METRIC	
		4 PLACES	±---	±---			
		3 PLACES	±---	±---			
		2 PLACES	±0.13	±---			
		1 PLACE	±0.25	±---			
		0 PLACE	±	±			
		ANGULAR ± 3 °					
DRAFT WHERE APPLICABLE MUST REMAIN WITHIN DIMENSIONS		DRAWN BY DATE LSONG05 2011/01/13		CHECKED BY DATE VDANIELE 2011/01/13		TITILE STAC64 SINGLE BAY RIGHT ANGLE ASSEMBLY 14 CKT HYBRID	
MATERIAL NO.		APPROVED BY DATE SMARCEAU 2011/01/28		DOCUMENT NO. SD-34773-010		SHEET NO. 2 OF 2	
<p>SIZE D THIS DRAWING CONTAINS INFORMATION THAT IS PROPRIETARY TO MOLEX INCORPORATED AND SHOULD NOT BE USED WITHOUT WRITTEN PERMISSION</p>							