

NOTE 1. ALL LEADS CO-PLANARITY SHALL BE 0.1 MAX.
 2 IS NO PATTERN AREA OTHER THAN THE SAME CIRCUIT.
 3 HRS MARK AND CAV NO. IS INDICATED IN APPROXI POSITION SHOWN.
 4 GATE POSITION IS POSITIONED IN APPROXIMAL AREA SHOWN.

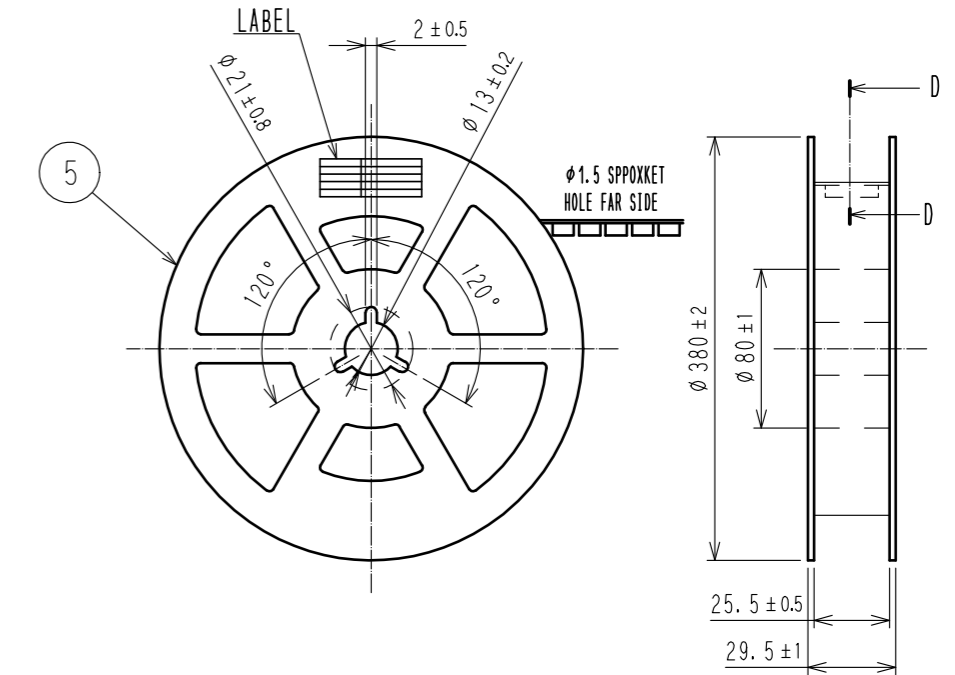
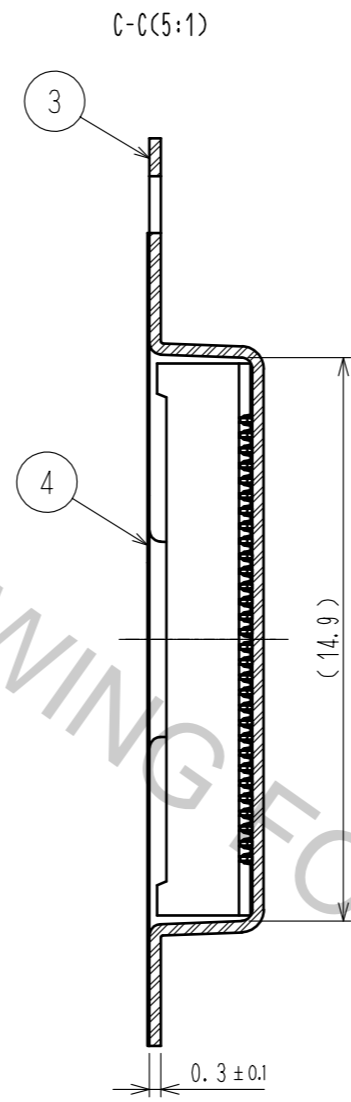
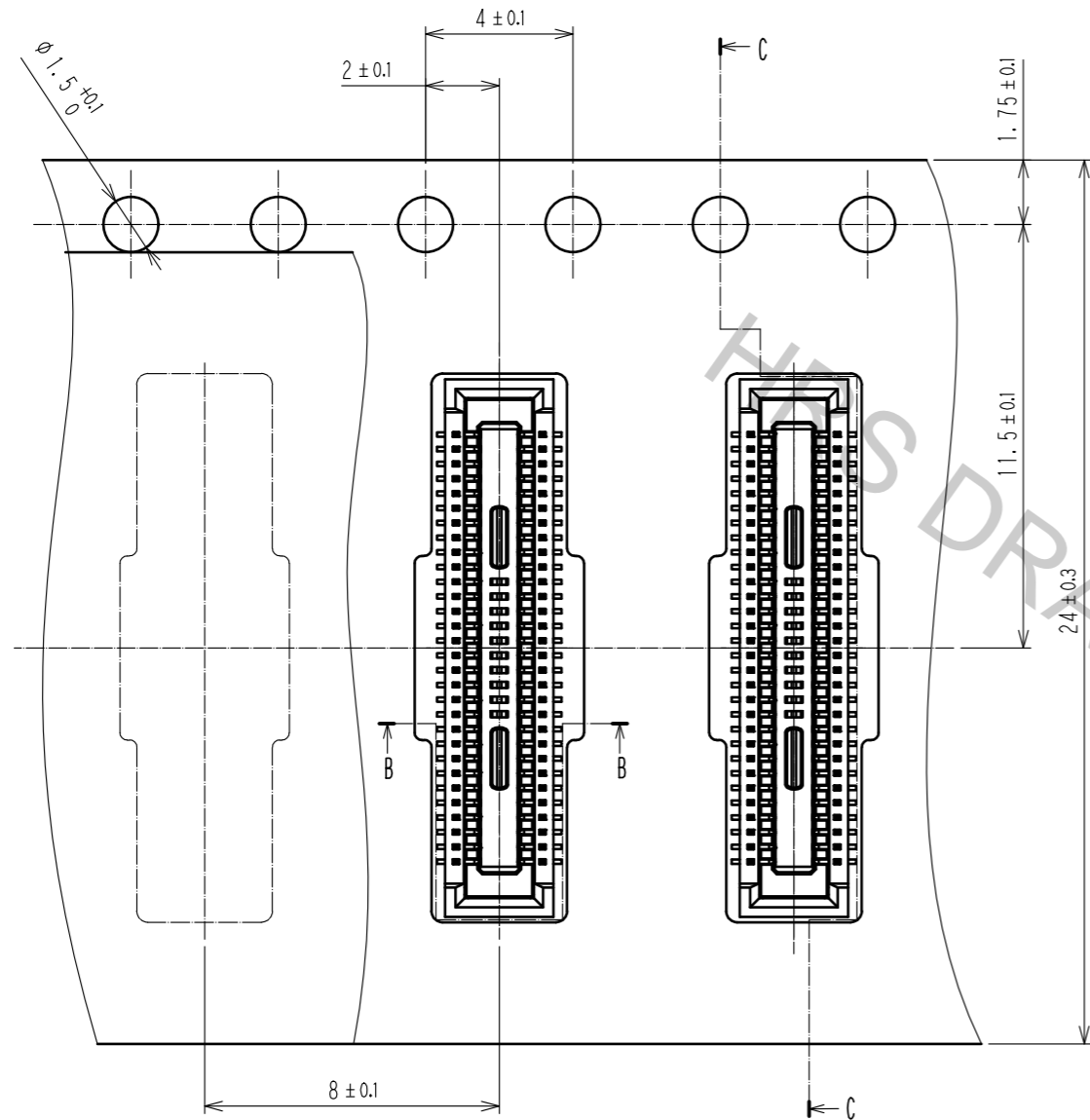
NO.	MATERIAL	FINISH . REMARKS	NO.	MATERIAL	FINISH . REMARKS
2	PHOSPHOR BRONZE	CONTACT AREA:GOLD 0.05 μm MIN SMT LEAD:GOLD 0.05 μm MIN UNDERPLATING:NICKEL 1 μm MIN	6	PS	CLEAR, REINFORCEMENT COLLAR
			5	PS	BLACK
			4	POLYESTER	CLEAR, COVER TAPE
1	LCP	BLACK, UL94V-0	3	PS	CLEAR, EMBOSSED CARRIER TAPE

UNITS	SCALE	COUNT	DESCRIPTION OF REVISIONS	DESIGNED	CHECKED	DATE
mm	10 : 1	1	APPROVED : MO. ISHIDA 16.10.05 CHECKED : TS. MIYAZAKI 16.10.05 DESIGNED : SH. HOSODA 16.10.05 DRAWN : SN. NUMAZAKI 16.10.04			

DRAWING NO.	PART NO.	CODE NO.
EDC-316711-58-01	DF40HC(2.5)-60DS-0.4V(58)	CL684-4085-8-58

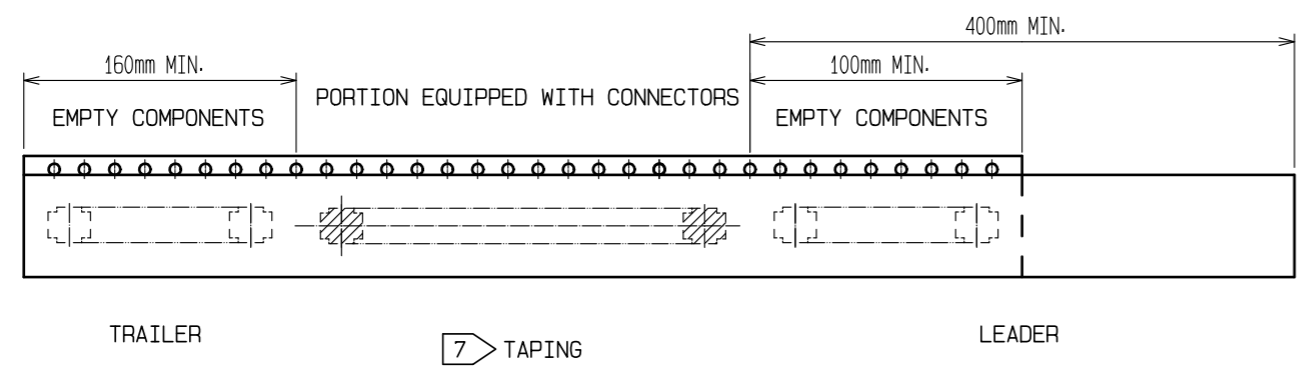
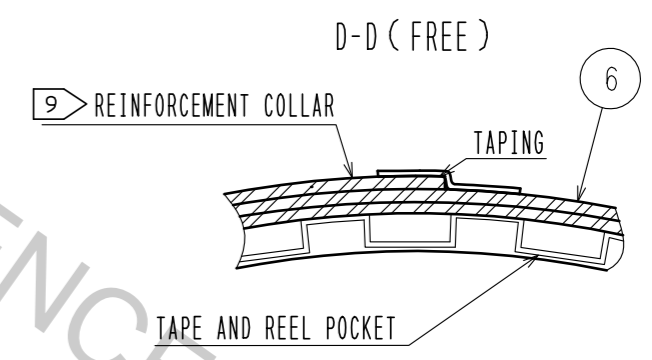
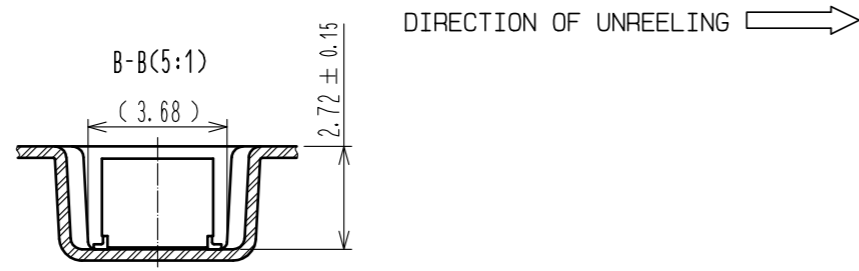
SCALE (5:1)

STYLE AND DIMENSION OF REEL (FREE SIZE)



8) DETAIL OF PART NO. LABEL

製造年月日	** ** *
製品コード	CL684-4085-8-58
製品名	DF40HC(2.5)-60DS-0.4V(58)
数量	1000
納入者	ヒロセ電機(株)



- NOTES)
- PER REEL 1000 CONNECTORS.
 - THE DIMENSIONS IN PARENTHESES ARE FOR REFERENCE.
 - REFER TO JIS C 0806(PACKING OF COMPONENTS FOR AUTOMATIC HANDLING)
 - DETAIL OF PART NO. LABEL IS WRITTEN IN JAPANESE.
 PRODUCTION DATE:
 PRODUCT CODE: CL684-4085-8-58
 PART NUMBER: DF40HC(2.5)-60DS-0.4V(58)
 NUMBER OF PIECES: 1000 PIECES
 SUPPLIER NAME: HIROSE ELECTRIC CO., LTD.
 - AFTER PACKAGING, ROLL 2 METERS OF THE REINFORCEMENT COLLAR TO OUTER CIRCUMFERENCE OF TAPE AND REEL POCKET, AND TAPE DOWN AT THE END THE COLLAR.

HRS	DRAWING NO.	EDC-316711-58-01
	PART NO.	DF40HC(2.5)-60DS-0.4V(58)
	CODE NO.	CL684-4085-8-58
		2/2

Apr.1.2017 Copyright 2017 HIROSE ELECTRIC CO., LTD. All Rights Reserved.