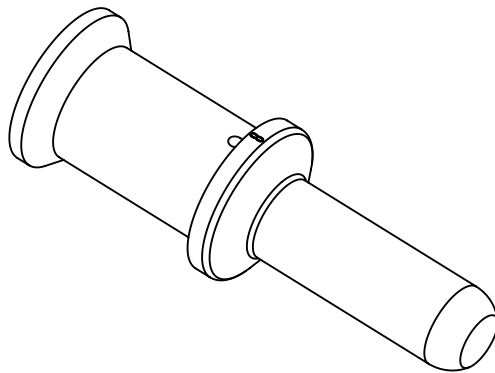
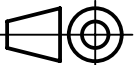



assembly notes see catalog  
 crimp zone acc.to DIN EN 46235; indicator 8  
 for stranded fine wire acc.to VDE 0295 class 5/IEC 60228 class 5  
 wire gauge: 16 mm<sup>2</sup>  
 stripping length: 15,5 mm



 All Dimensions in mm Original Size DIN A4	Scale	Free size tol.			Ref.
	2:1				Sub.
 All rights reserved Department EL PD - DE	Created by	Inspected by	Standardisation	Date	State
	RULLKOETTER	SCHNIEDER	SCHMIDTM	2015-01-09	Final Release
HARTING Electric GmbH & Co. KG D-32339 Espelkamp	Title Han TC70 male contact 16mm <sup>2</sup>				Doc-Key / ECM-Nr. 100180793/UGD/008/A 500000083148
	Type	Number			Rev.
TB	09 11 000 6132			A	1/1