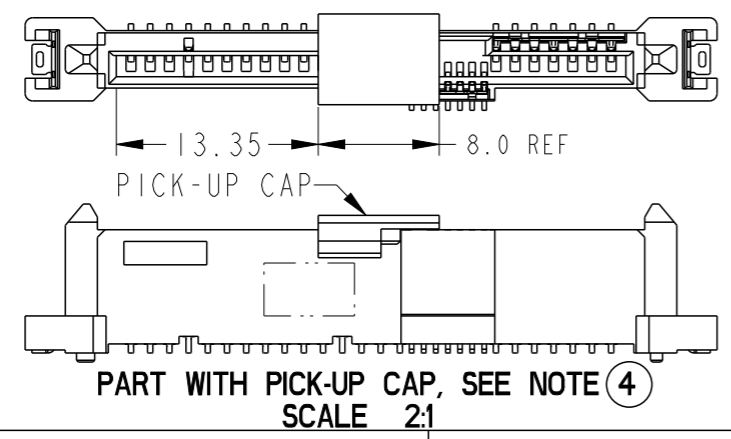
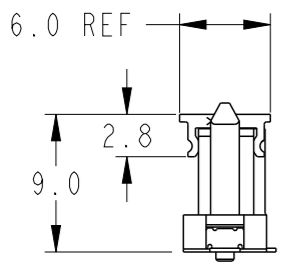
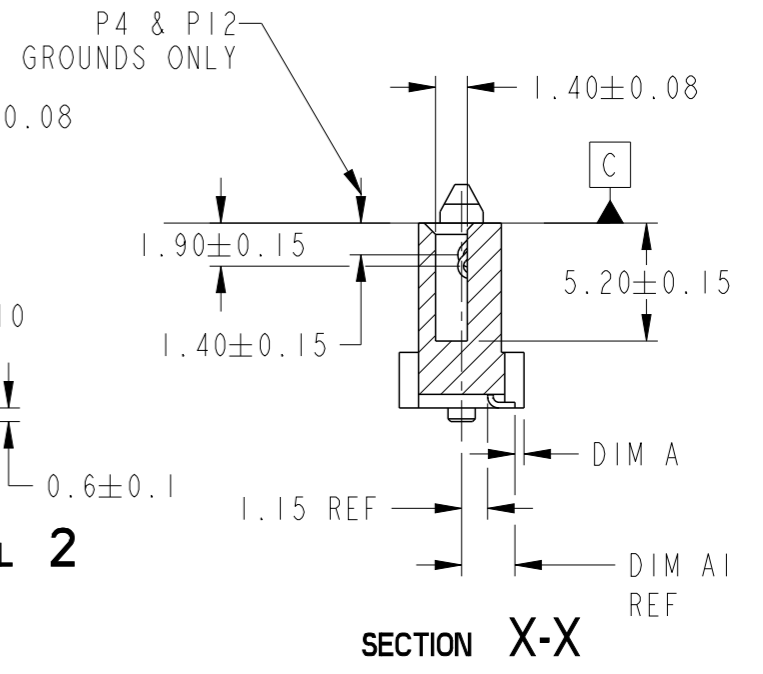
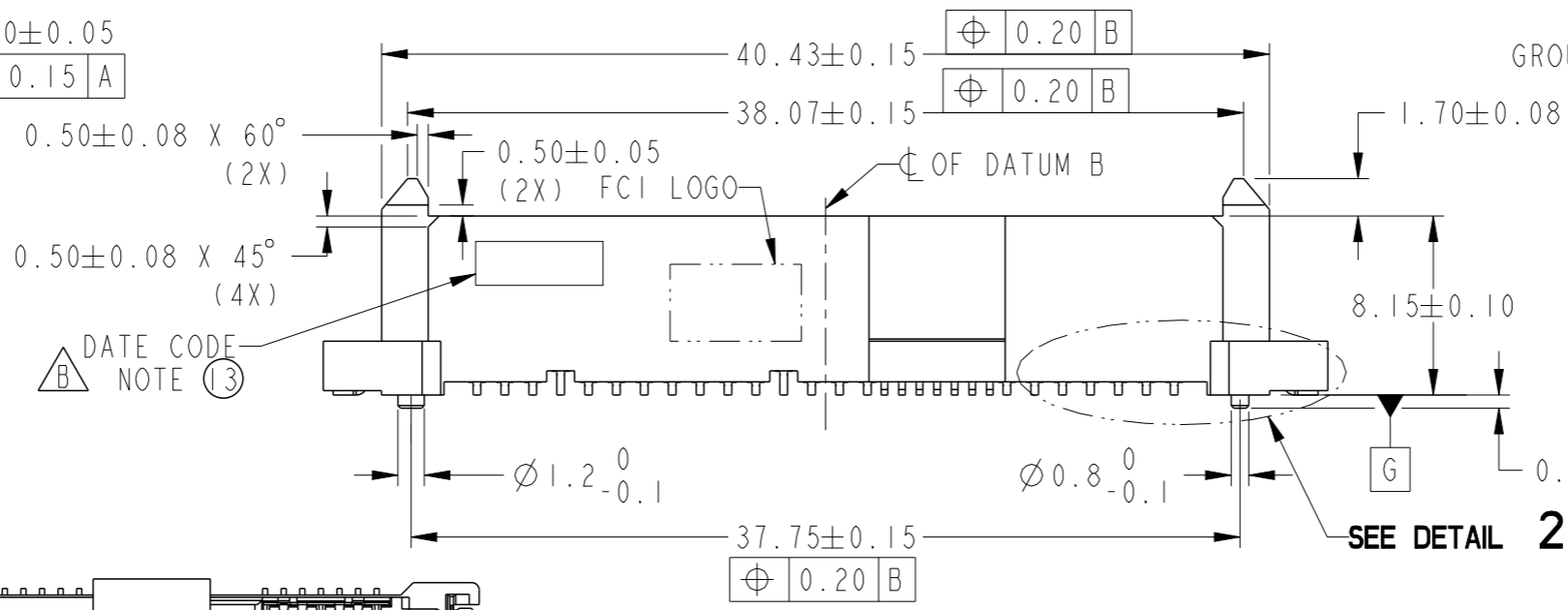
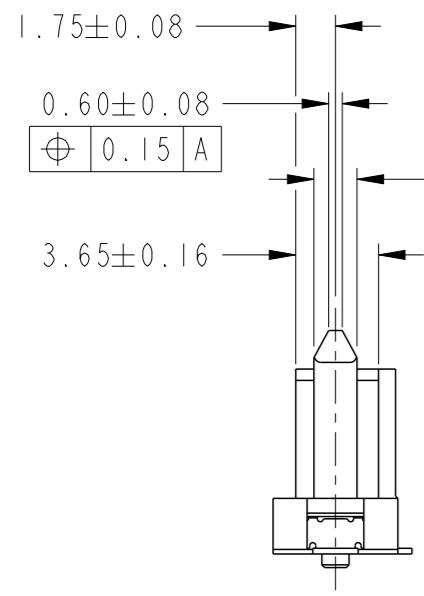
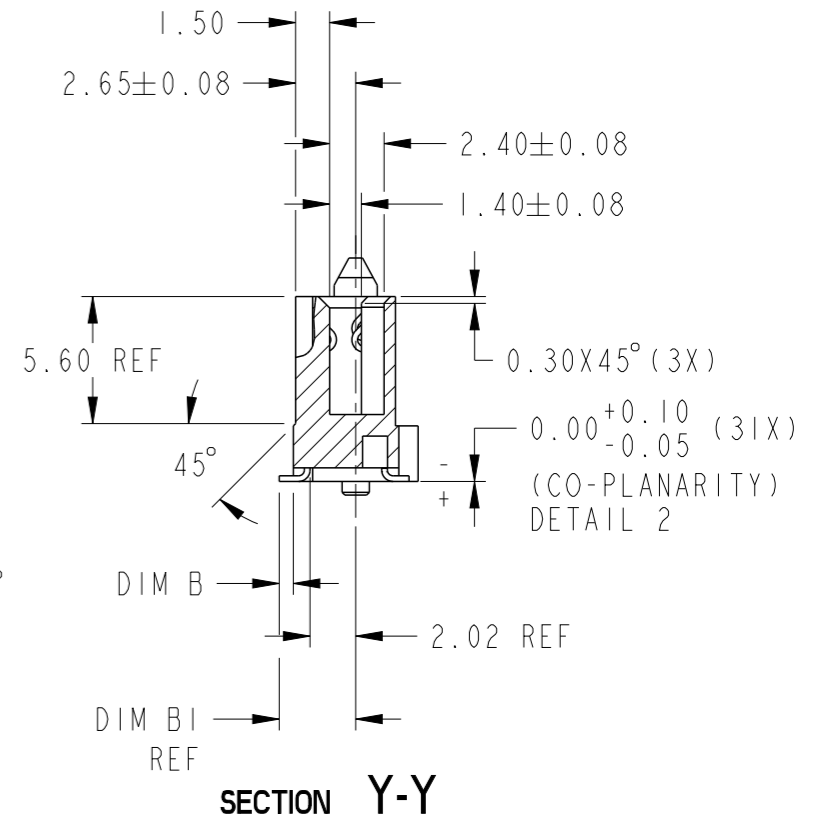
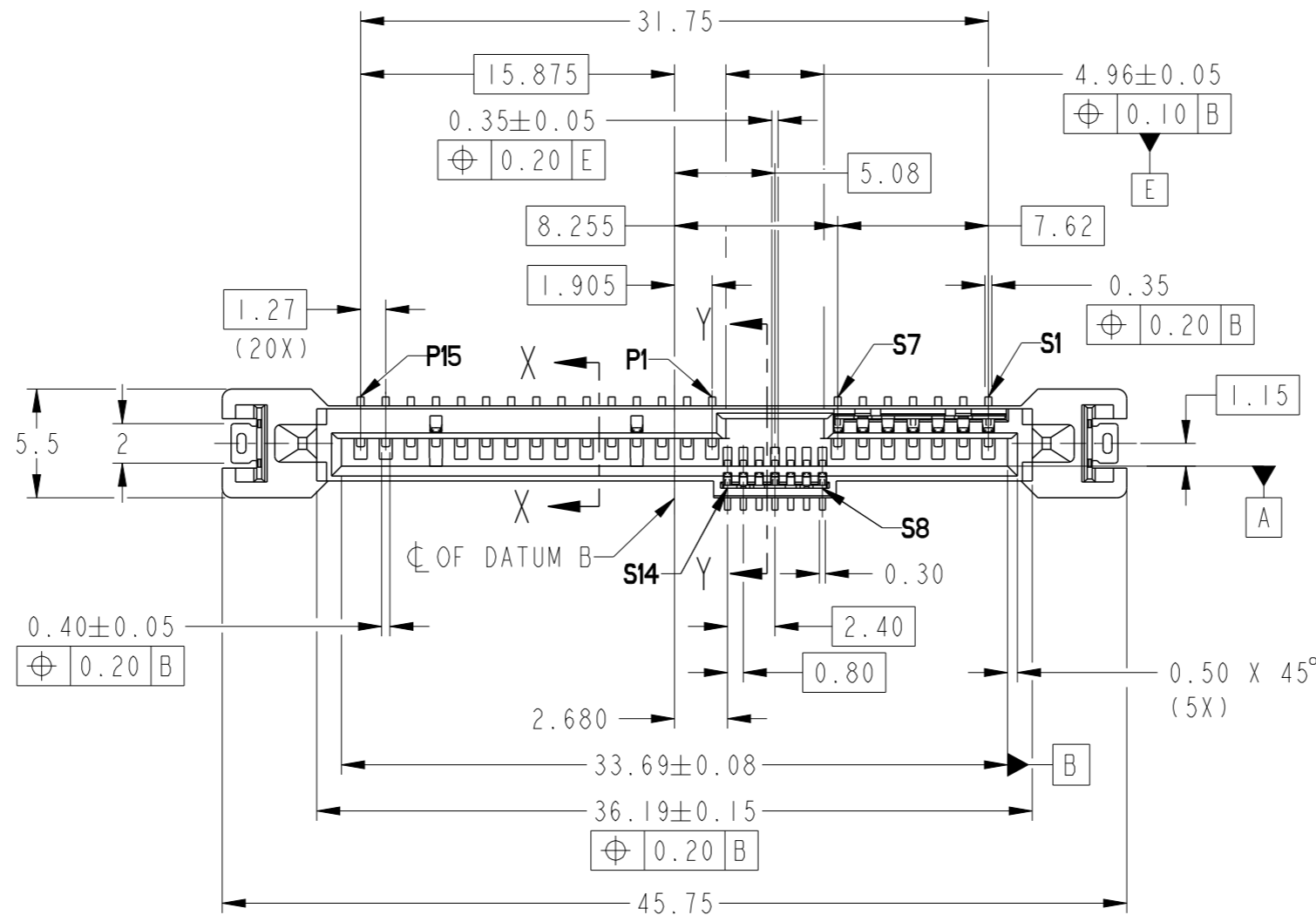


PRODUCT NUMBER
SEE TABLE





spec ref	-	dr	K Ayyapparaj	2012/11/27
tolerance std	ISO 406 ISO 1101	eng	Guat-Lian Loo	2015/07/07
	TOLERANCES UNLESS OTHERWISE SPECIFIED	chr	-	-
surface	✓	appr	Chen-Hong Tan	2015/07/07
ISO 1302	linear	0.X	±	
		0.XX	±0.20	
		0.XXX	±	
	angular	0°	±2°	

projection	mm	size	A3	scale	3:1
product family	SAS	ecn no	ELX-S-19009-1	rel level	Released
		12G SAS RECEPTACLE VERTICAL SMT TYPE ASSY		dwg no 10120909	rev B
www.fci.com			cat. no.	Product - Customer Drw	
			sheet 1 of 3		

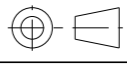


PRODUCT NUMBER
SEE TABLE

NOTES:

1. MATERIAL :
 - 1) HOUSING : HIGH TEMP THERMOPLASTIC, UL 94V-0
COLOR : BLACK
 - 2) TERMINAL : COPPER ALLOY
 - 3) HOLD DOWN : COPPER ALLOY
- ② FINISH :
 - 1) TERMINAL : 30μ" Au PLATING (CONTACT POINT) OVER 50μ" NICKEL
 - 2) SOLDER TAIL : 100μ" MIN Sn OVER 50μ" NICKEL
 - 3) HOLD DOWN : 100μ" MIN Sn OVER 50μ" NICKEL
3. PER SFF REV 1.1, EXCEPT 0.8mm PITCH BUMP AREA.
- ④ PART WITH PICK-UP CAP, P/N XXXXXXXX-XXXCLF.
- ⑤ THE STD PACKAGING IS IN TRAY UNLESS OTHERWISE SPECIFIED.
- ⑥ PART NUMBER WITH SUFFIX "-TR" MEANS FOR TAPE & REEL PACKAGING (E.G. P/N: XXXXXXXX-XXXC-TRLF).
7. THE HOUSING WILL WITHSTAND EXPOSURE TO 260°C PEAK TEMPERATURE FOR 10 SECONDS IN A CONVECTION, INFRA-RED OR VAPOR PHASE REFLOW OVEN.
- ⑧ THIS PRODUCT MEETS EUROPEAN UNION DIRECTIVES AND OTHER COUNTRY REGULATIONS AS DESCRIBED IN GS-47-0004.
- ⑨ PART NUMBERS ENDING IN "LF" MEANS FOR NOTE 8 LEAD FREE IDENTIFICATION
- ⑩ FINISH :
 - 1) TERMINAL : 30μ" GXT PLATING (CONTACT POINT) OVER 50μ" NICKEL
 - 2) SOLDER TAIL : 100μ" MIN Sn OVER 50μ" NICKEL
 - 3) HOLD DOWN : 100μ" MIN Sn OVER 50μ" NICKEL
11. 10120909-X03LF FOOTPRINT IS SAME AS 10120818-X01LF
12. A  SYMBOL WILL BE NEXT TO ANY DIMENSION, VIEW, OR NOTE WHICH HAS BEEN MODIFIED WITH THE CURRENT DRAWING REVISION.
-  ⑬ DATE CODE LOCATION. DATE CODE NO. YYWW (E.G. 14225)



Copyright FCI.

spec ref -		dr	K Ayyapparaj	2012/11/27	projection	mm	size	A3	scale	3:1		
tolerance std		eng	Guat-Lian Loo	2015/07/07		← →	ecn no	ELX-S-19009-1				
ISO 406 ISO 1101		chr	-	-				product family	SAS	rel level	Released	
surface 		linear	0.X	± -		12G SAS RECEPTACLE VERTICAL SMT TYPE ASSY	dwg no	10120909		rev	B	
ISO 1302		angular	0°	± 2°				www.fci.com	cat. no.	-	Product - Customer Drw	sheet 3 of 3