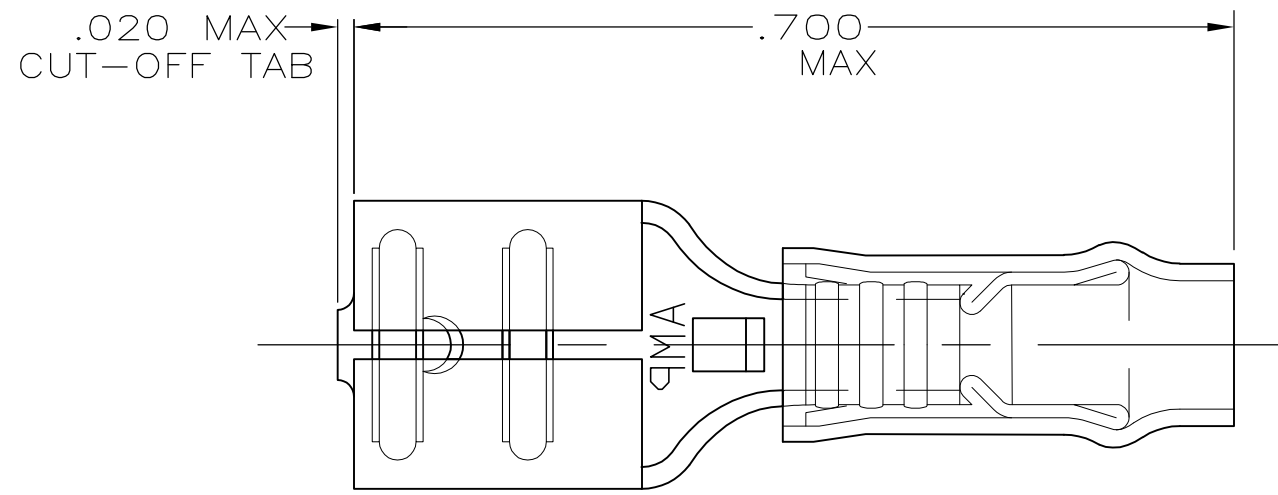
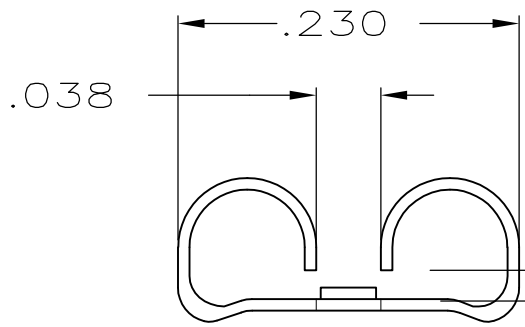
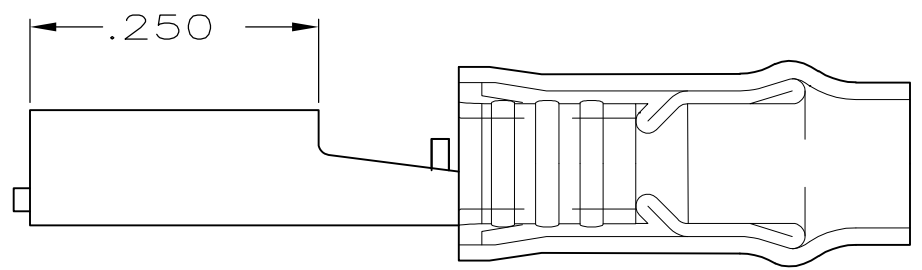


THIS DRAWING IS UNPUBLISHED. RELEASED FOR PUBLICATION
 © COPYRIGHT - By - ALL RIGHTS RESERVED.

LOC	DIST	REVISIONS					
		P	LTR	DESCRIPTION	DATE	DWN	APVD
G	14		H1	REVISED PER ECO-11-004917	11MAR11	RK	HMR



- 1. INSULATION DIA .082 MAX
- 2. FITS TAB THK .020±.001



FITS "187" SERIES FASTON TAB
 (REFER TO CP-15978 FOR TAB DETAILS)

QTY	PACKAGE TYPE	PART NO
100	LOOSE PC,BOX	8-641321-1
-	TAPE MOUNTED	641321-2
-	LOOSE PIECE	641321-1

AMP INCORPORATED CUSTOMER SERVICE SYSTEM	
FOR ADDITIONAL PRODUCT INFORMATION OR COPIES OF DRAWINGS AND TECHNICAL DOCUMENTS	PRODUCT INFORMATION CENTER 1-800-522-6752
FOR APPLICATION TOOLING INFORMATION	TOOLING ASSISTANCE CENTER 1-800-722-1111
FOR ORDER ENTRY	1-800-526-5142

MAX RECOMMENDED OPERATING TEMPERATURE:	-
VOLTAGE RATING:	-
CIRCULAR MIL AREA:	-

THIS DRAWING IS A CONTROLLED DOCUMENT.	
DIMENSIONS: INCHES	TOLERANCES UNLESS OTHERWISE SPECIFIED:
	0 PLC ± -
	1 PLC ± -
	2 PLC ± .015
	3 PLC ± -
	4 PLC ± -
	ANGLES ± -
MATERIAL: BODY,BRASS .016 SLV,NYLON,COLOR,YELLOW	FINISH: BODY,TIN

DWN L OLMEDA	26JUN95
CHK M ELLIS	26JUN95
APVD B BARE	26JUN95
PRODUCT SPEC	
APPLICATION SPEC	
WEIGHT	-

STE TE Connectivity			
RECEPTACLE, 187 SERIES, FASTON™, PIDG™, 26-24			
SIZE	CAGE CODE	DRAWING NO	RESTRICTED TO
A3	00779	C-641321	-
CUSTOMER DRAWING		SCALE NTS	SHEET 1 OF 1 REV H1