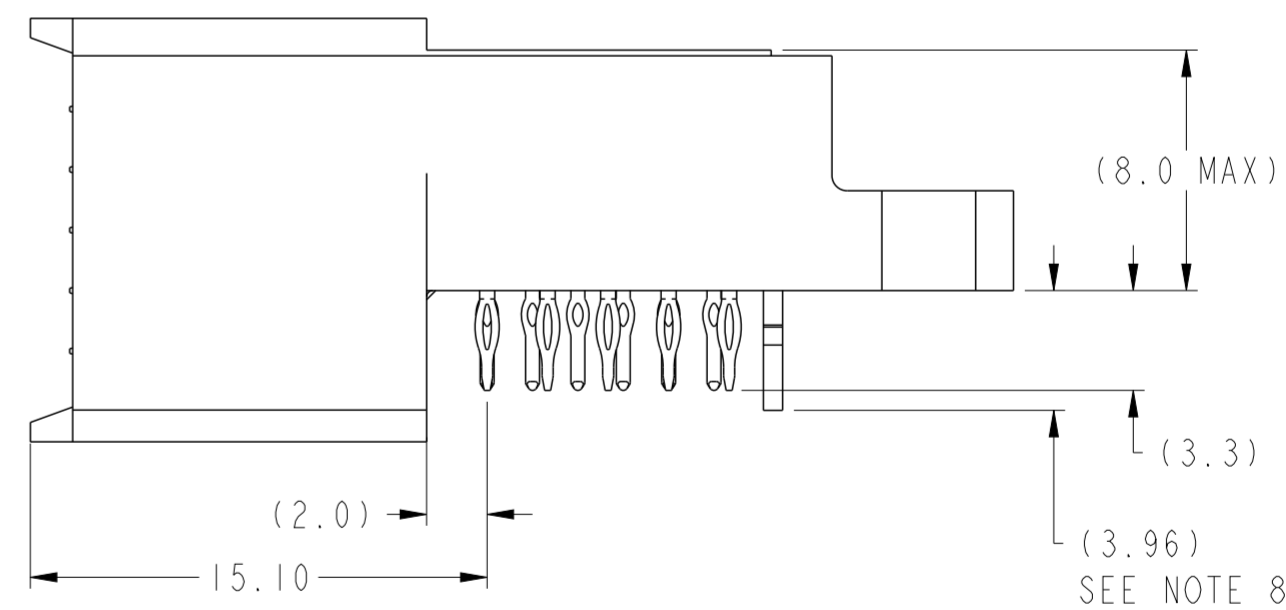
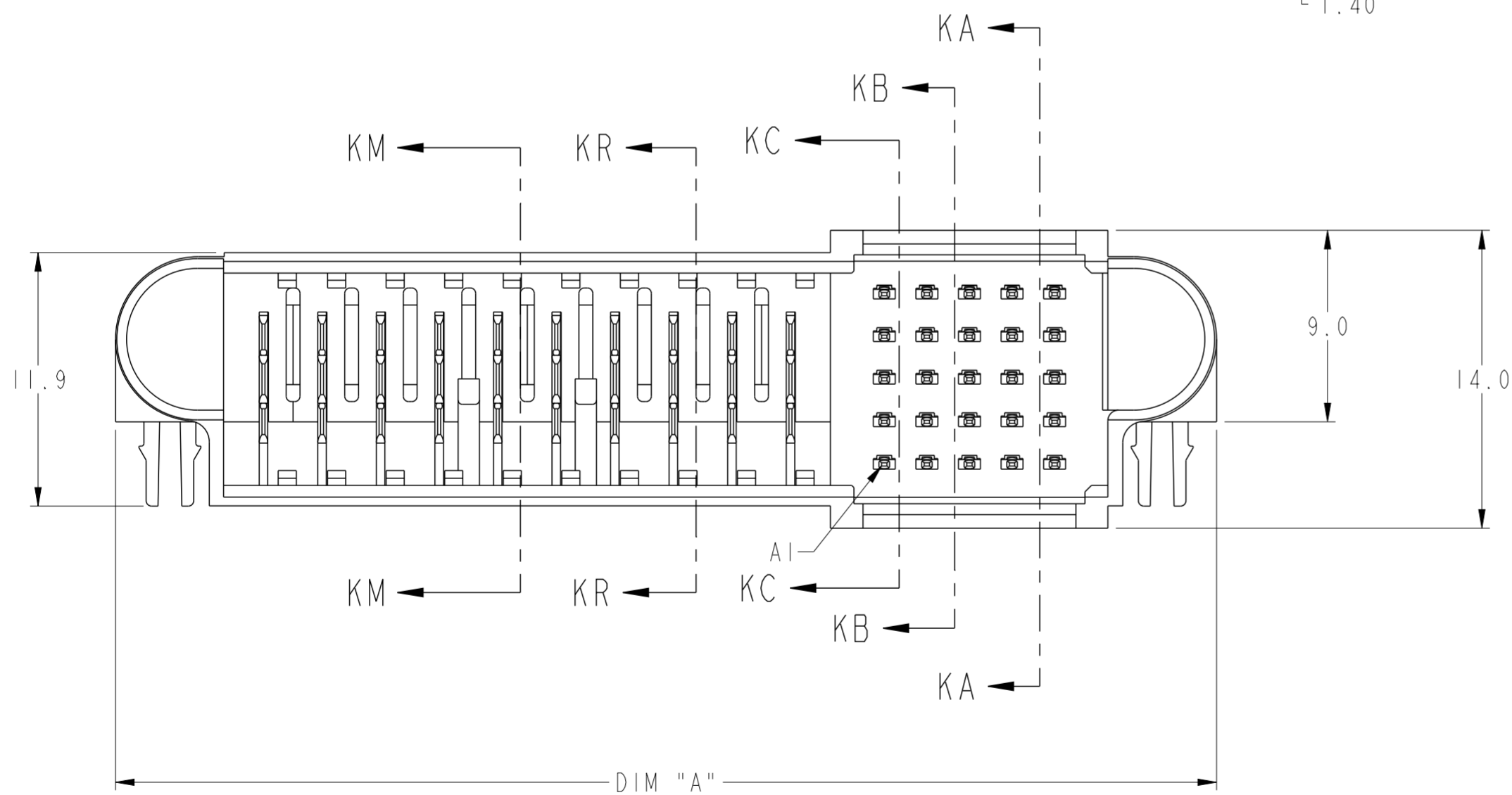
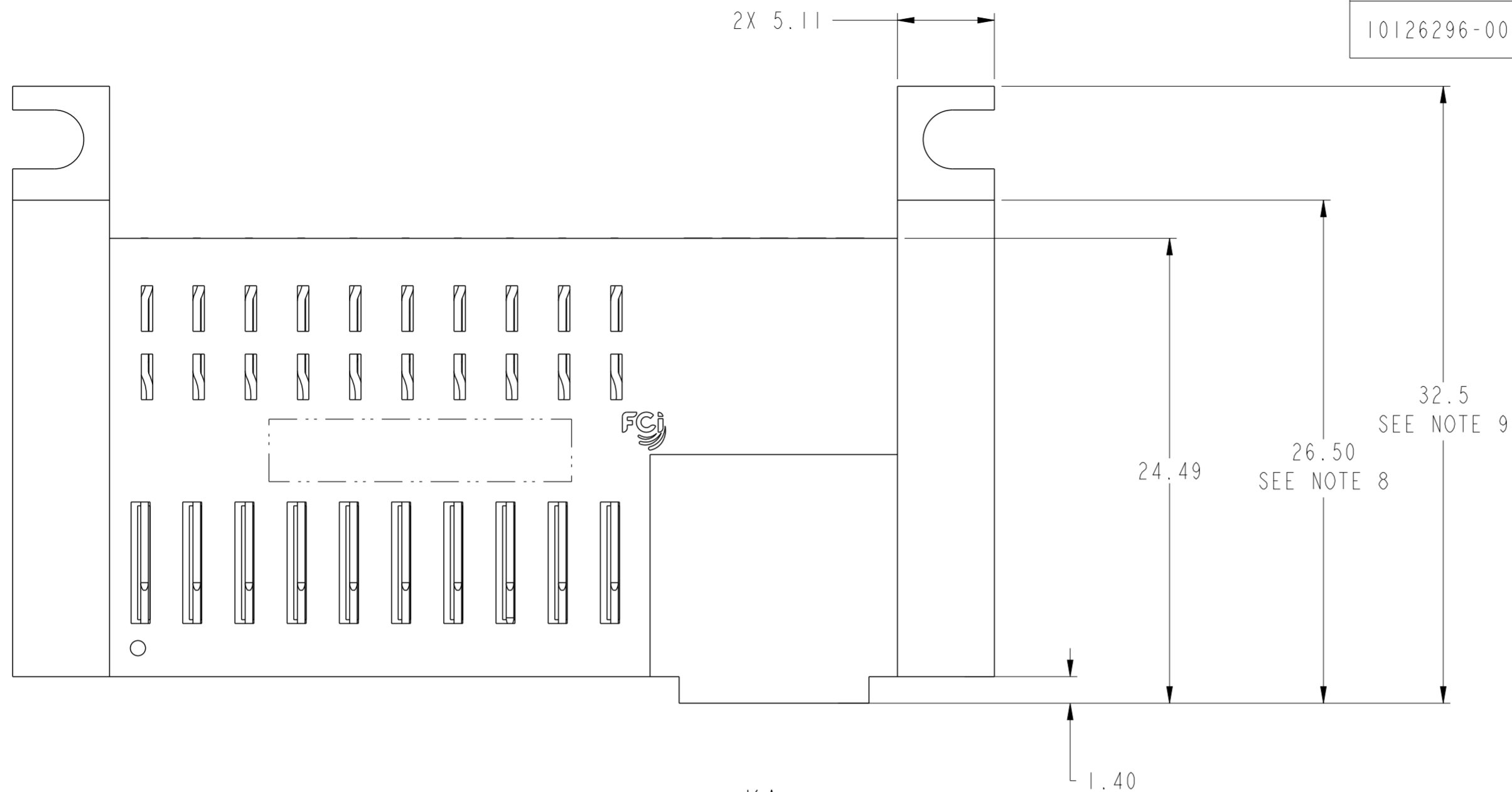


PART NUMBER	CONFIGURATION	DIM "A"	DIM "B"	DIM "C"	"D" SPACES	"E" SPACES	"F" QTY.	"G" QTY.	MOUNTING FEATURE
10126296-001LF	10P+25S	51.71	47.31	-	4	9	25	60	SCREW MOUNT
10126296-002LF	2P+15S	25.71	-	20.6	2	1	15	12	HOLD DOWN



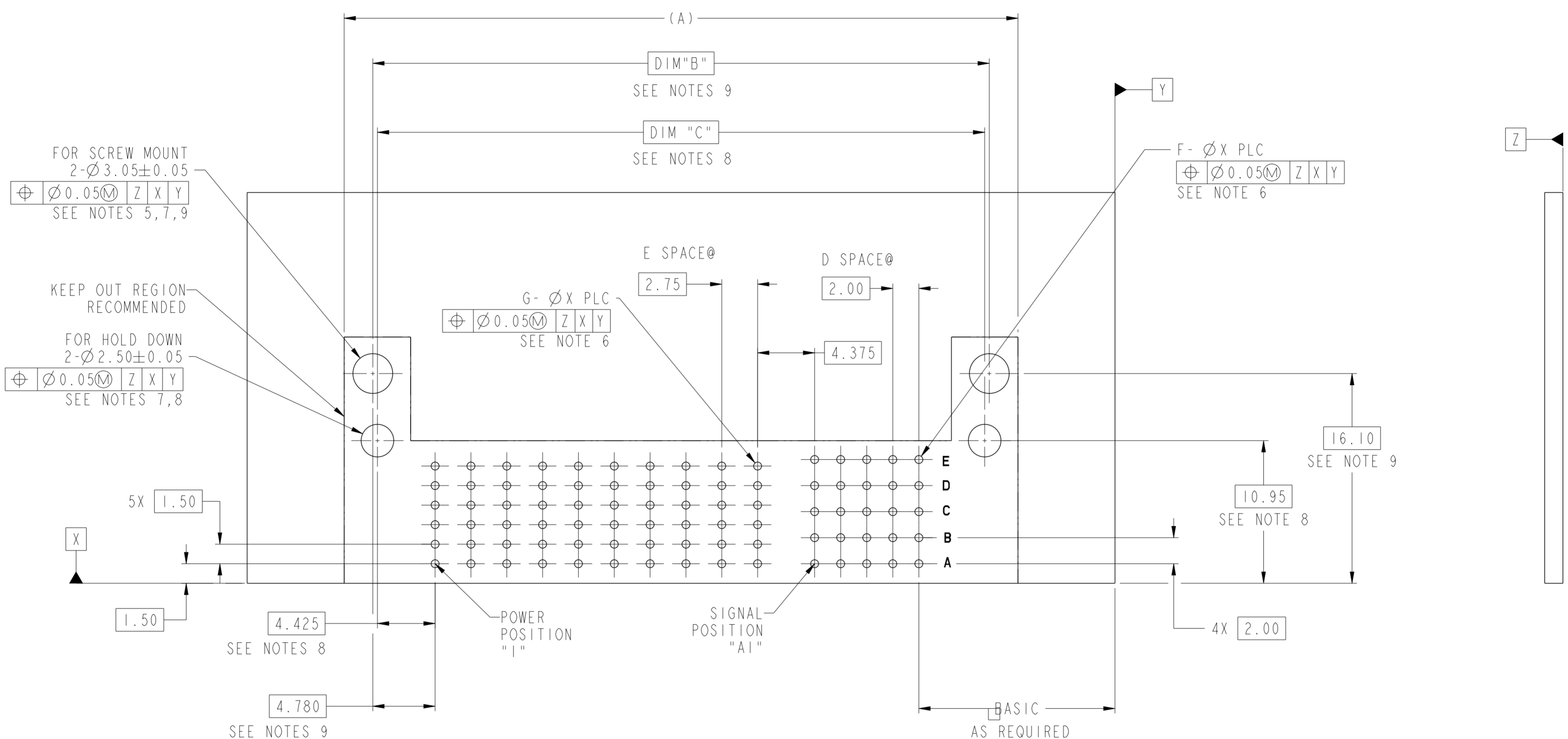
spec ref	SEE NOTE	dr	Heaven Cen	2013/07/02	projection	MM	size	A2	scale	3:1	
tolerance std	ASME Y14.5	eng	Heaven Cen	2013/12/16			ecn no	ELX-DG-16497-1			
surface	✓	chr	Jon Qin	2013/12/17			rel level	Released			
ASME Y14.5	linear	appr	Collins Lu	2013/12/17			product family	PwrLoPro	cat. no.	10126296	rev
	angular										

PDS: Rev :D

STATUS:Released

Printed: Dec 18, 2013

Copyright FCI.



RECOMMENDED PRINTED CIRCUIT BOARD LAYOUT SEE NOTE 4
(AS VIEWED FROM COMPONENT SIDE)

Copyright FCI.
FCI

spec ref	SEE NOTE	dr	Heaven Cen	2013/07/02	projection	MM	size	A2	scale	5:1	
tolerance std	ASME Y14.5	eng	Heaven Cen	2013/12/16			ecn no	ELX-DG-16497-1			
	TOLERANCES UNLESS OTHERWISE SPECIFIED	chr	Jon Qin	2013/12/17			rel level	Released			
		appr	Collins Lu	2013/12/17			product family	PwrLoPro			
surface	✓	linear	0.X	±0.30		PWR LoPro HEADER ASSEMBLY RA, PASSIVE GUIDE, P+S	dwg no	10126296			
			0.XX	±0.20			rev	D			
		angular	0°	±2°			cat. no.	Product - Customer Drw sheet 2 of 5			

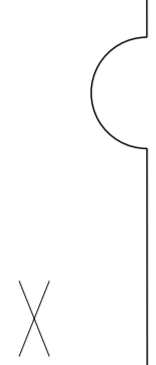
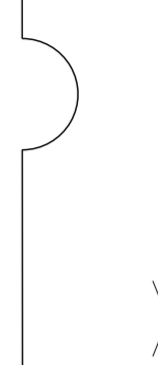
PDS: Rev :D

STATUS:Released

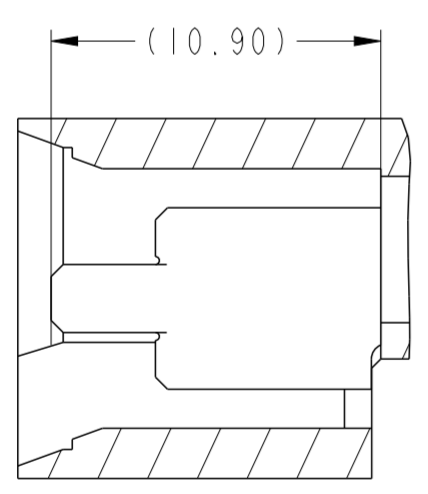
Printed: Dec 18, 2013

CUSTOMER LOADING WORKSHEET FOR POWER & SIGNAL SEQUENCING LEVELS

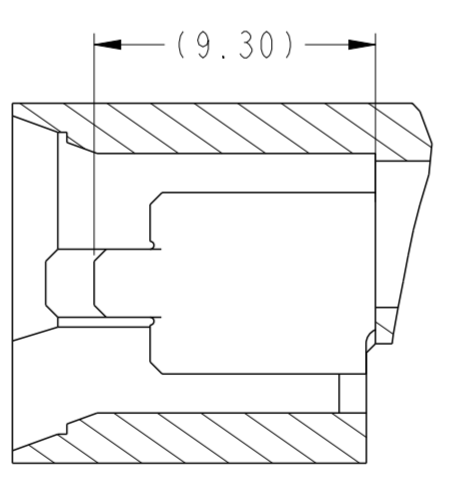
PWR LO PRO - MATING FACE OF HEADER CONNECTOR(4)

E																																		
D																																		
C																																		
B																																		
A																																		
ROWS	MOUNTING FEATURE(3)	1	2	3	4	5	6	7	8	9	10	11	12	13	14	15	16	17	18	19	20	21	22	23	24	1	2	3	4	5	6	7	8	MOUNTING FEATURE(3)
		POWER CONTACTS(1)												SIGNAL CONTACTS(2)																				

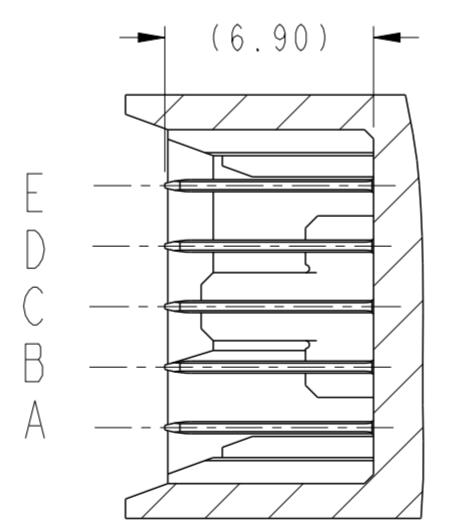
- 1). LOAD WITH CHOICE OF 2 POWER CONTACT MATING LEVELS, SEE SECTIONS KM & KR FOR AVAILABLE LEVEL OPTIONS.
- 2). LOAD WITH CHOICE OF 3 SIGNAL CONTACT MATING LEVELS, SEE SECTIONS KA,KB,&KC FOR AVAILABLE LEVEL OPTIONS.
- 3). MOUNTING FEATURE OPTION "X"
 - H : HOLD DOWN TYPE
 - S : SCREW MOUNT TYPE
- 4). CUSTOMER LOADING WORKSHEET SHOWN AT MAXMUM SIZE CONFIGURATION (24Px40S), SIGNALS AVAILABLE IN 2,3,4 THRU 8 POSITIONS, POWERS AVAILABLE IN 4,6,8 THRU 24 POSITIONS IN EVEN QUANTITIES ONLY.



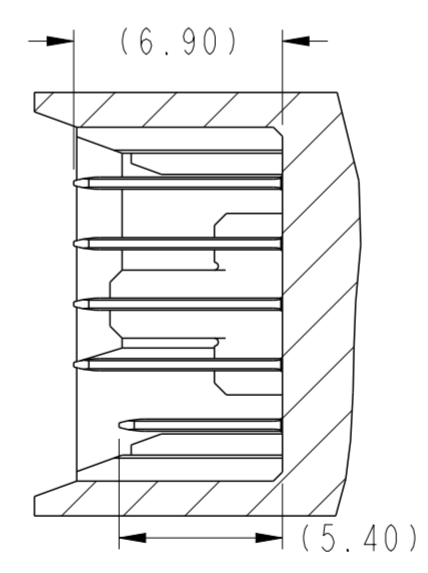
POWER SECTION KM-KM
LEVEL 1:
LONGEST MATING CONTACTS



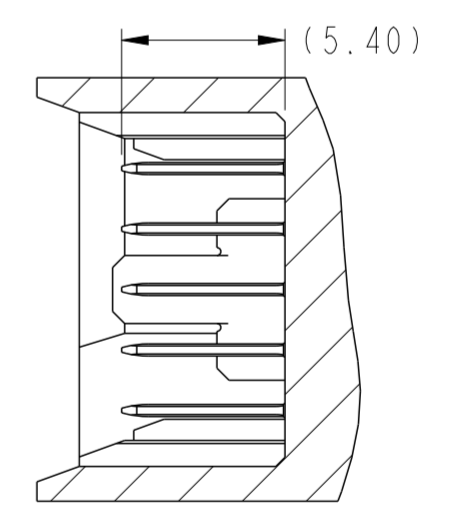
POWER SECTION KR-KR
LEVEL 2:
SHORTEST MATING CONTACTS



SIGNAL SECTION KA-KA
LEVEL 2:
ALL LONGEST CONTACTS

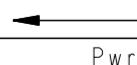


DSIGNAL SECTION KB-KB
LEVEL 3222 (MIXED):
ROW "A", SHORTEST CONTACT
ROW "B" THRU "E", LONGEST CONTACTS



SIGNAL SECTION KC-KC
LEVEL 3:
ALL SHORTEST CONTACTS

Copyright FCI. FCI

spec ref	SEE NOTE	dr	Heaven Cen	2013/07/02	projection	MM	size	A2	scale	1:1	
tolerance std	ASME Y14.5	eng	Heaven Cen	2013/12/16			ecn no	ELX-DG-16497-1	rel level	Released	
surface	linear	chr	Jon Qin	2013/12/17							
ASME Y14.5	angular	appr	Collins Lu	2013/12/17							
	0.X ±0.30 0.XX ±0.20 0.XXX ±0.10	product family	PwrLoPro		title	PWR LoPro HEADER ASSEMBLY		cat. no.	10126296	rev	D
	0° ±2°	www.fci.com	Product - Customer Drw		sheet	3 of 5					

PART NUMBER	ROWS	POWERS										SIGNALS							
		1	2	3	4	5	6	7	8	9	10	1	2	3	4	5			
10126296-001LF 10P + 25S	E																		
	D																		
	C	2	2	2	2	2	2	2	2	2	2	3	3	3	3	3			
	B																		
	A																		

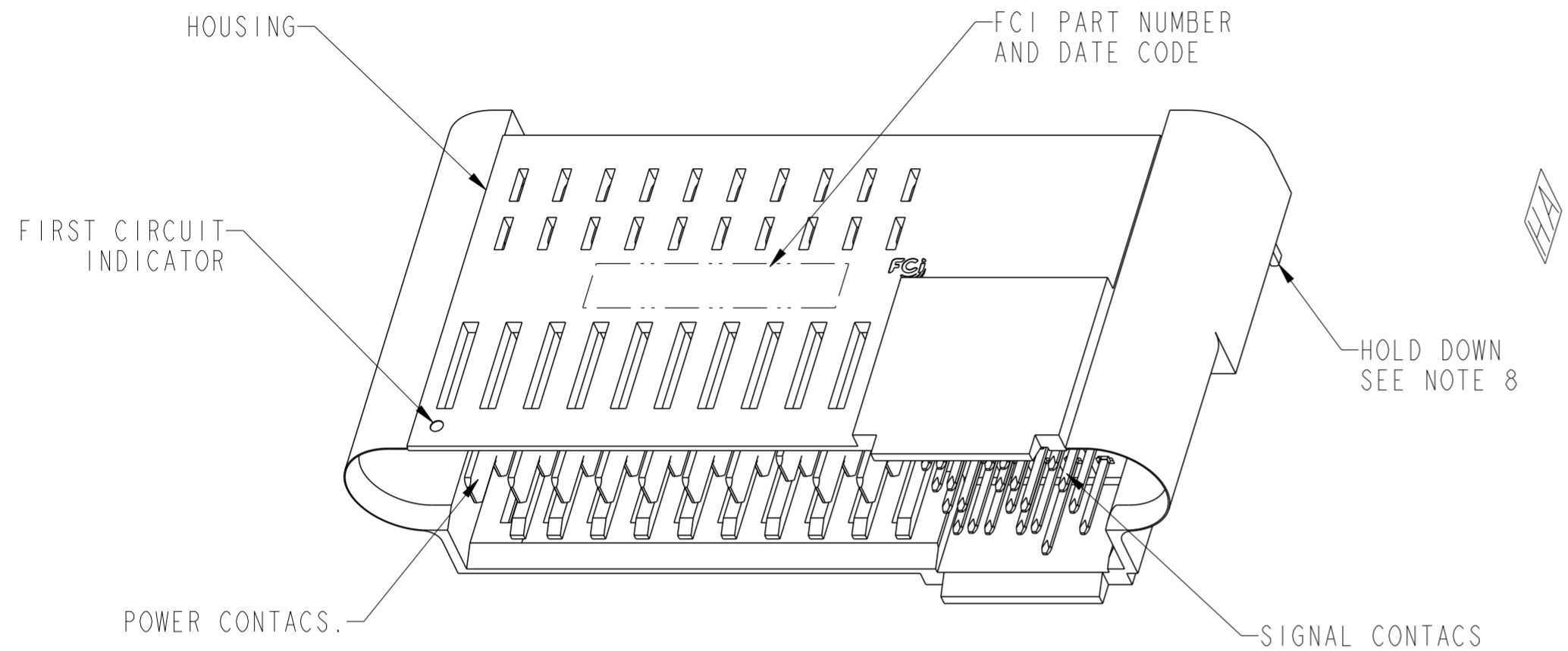
PART NUMBER	ROWS	POWERS		SIGNALS		
		1	2	1	2	3
10126296-002LF 2P + 15S	E					
	D					
	C	2	1	32222	2	2
	B					
	A					

CODE	DESCRIPTION
1	FOR LEVEL 1
2	FOR LEVEL 2
32222	FOR LEVEL 32222 (MIXED)
3	FOR LEVEL 3

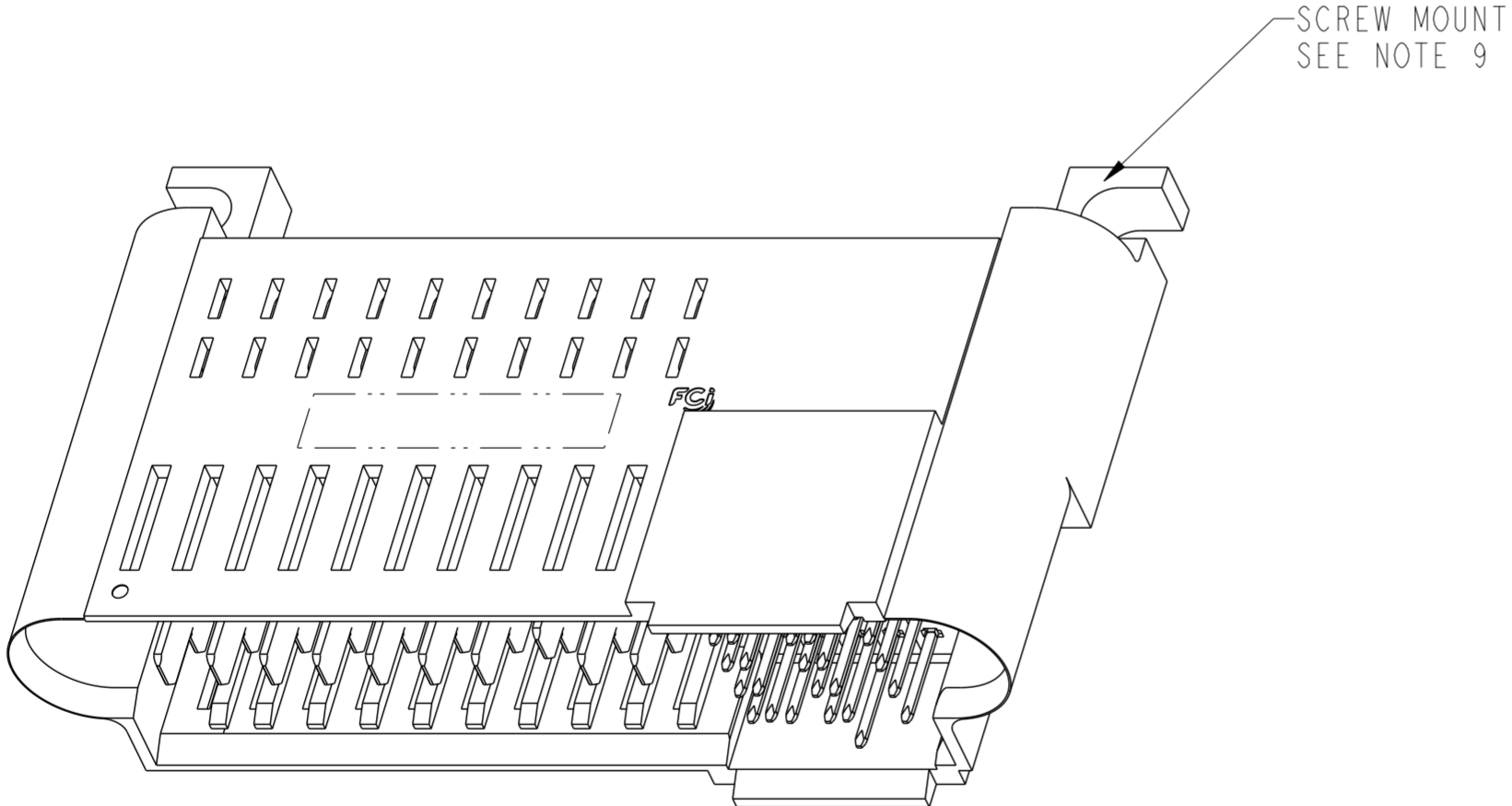
VIEWED FROM MATING FACE:

spec ref	SEE NOTE	dr	Heaven Cen	2013/07/02	projection	MM	size	A2	scale	1:1
tolerance std	TOLERANCES UNLESS OTHERWISE SPECIFIED	eng	Heaven Cen	2013/12/16		MM	ecn no	ELX-DG-16497-1	rel level	Released
ASME Y14.5		chr	Jon Qin	2013/12/17						
-		appr	Collins Lu	2013/12/17						
		product family	PwrLoPro							
surface	linear	0.X	±0.30		title	PWR LoPro HEADER ASSEMBLY	dwg no	10126296	rev	D
ASME Y14.5		0.XX	±0.20							
	angular	0°	±2°							
		www.fci.com	cat. no.			Product - Customer Drw	sheet 4 of 5			





**10P x 25S CONFIGURATION SHOWN
HOLD DOWN TYPE**



**10P x 25S CONFIGURATION SHOWN
SCREW MOUNT TYPE**

NOTES:

1. HOUSING MATERIAL: GF LCP, COLOR: BLACK, UL 94 V-0 RATED
SIGNAL CONTACT MATERIAL: PHOSPHOR BRONZE
SIGNAL PIN OVERMOLD MATERIAL: GF POLYESTER
POWER CONTACT MATERIAL: COPPER ALLOY
2. PLATING ON SIGNAL CONTACTS: 1.27um MIN Ni UNDERPLATING ALL OVER WITH 0.76um MIN GXT IN CONTACT MATING AREA, AND 0.5um MIN MATTE TIN ON TAIL AREA.

PLATING ON POWER CONTACTS: 1.27um MIN Ni UNDERPLATING ALL OVER WITH 0.76um MIN GXT IN CONTACT MATING AREA, AND 0.5um MIN MATTE TIN ON TAIL AREA.

PLATING ON HOLD DOWN IF APPLICABLE: 1.27um MIN Ni, UNDERPLATING ALL OVER WITH 0.76um MIN MATTE TIN OVER.
3. LUBRICATION: LUBRICATE ON CONTACT AREA.
4. RECOMMENDED PCB THICKNESS IS:
FOR PRESS FIT APPLICATION: 1.4mm MIN
FOR SOLDER APPLICATION: 1.40mm THROUGH 2.62mm.
5. FOR SCREW MOUNT APPLICATIONS, A #4-40 UNC PAN SCREW WITH HEX NUT IS RECOMMENDED (SUPPLIED BY CUSTOMER).
6. FOR PRESS FIT $\varnothing 0.61 \pm 0.05\text{mm}$, FOR SOLDER $\varnothing 0.90 \pm 0.05\text{mm}$.
7. UNPLATED HOLES.
8. HOLD DOWN APPLICATION NEEDED.
9. SCREW MOUNT APPLICATION NEEDED.
10. PRODUCT SPECIFICATION: GS-12-1064
APPLICATION SPECIFICATION: GS-20-0362

Copyright FCI. **FCI**

spec ref	SEE NOTE	dr	Heaven Cen	2013/07/02	projection	MM	size	A2	scale	3:1	
tolerance std	TOLERANCES UNLESS OTHERWISE SPECIFIED	eng	Heaven Cen	2013/12/16			ecn no	ELX-DG-16497-1	rel level	Released	
ASME Y14.5		chr	Jon Qin	2013/12/17							
-		appr	Collins Lu	2013/12/17							
surface	linear	0.X	±0.30		product family PwrLoPro	title PWR LoPro HEADER ASSEMBLY RA, PASSIVE GUIDE, P+S	dwg no 10126296	rev D	cat. no. -	Product - Customer Drw	sheet 5 of 5
ASME Y14.5	0.XX	±0.20									
	0.XXX	±0.10									
	angular	0°	±2°	www.fci.com							