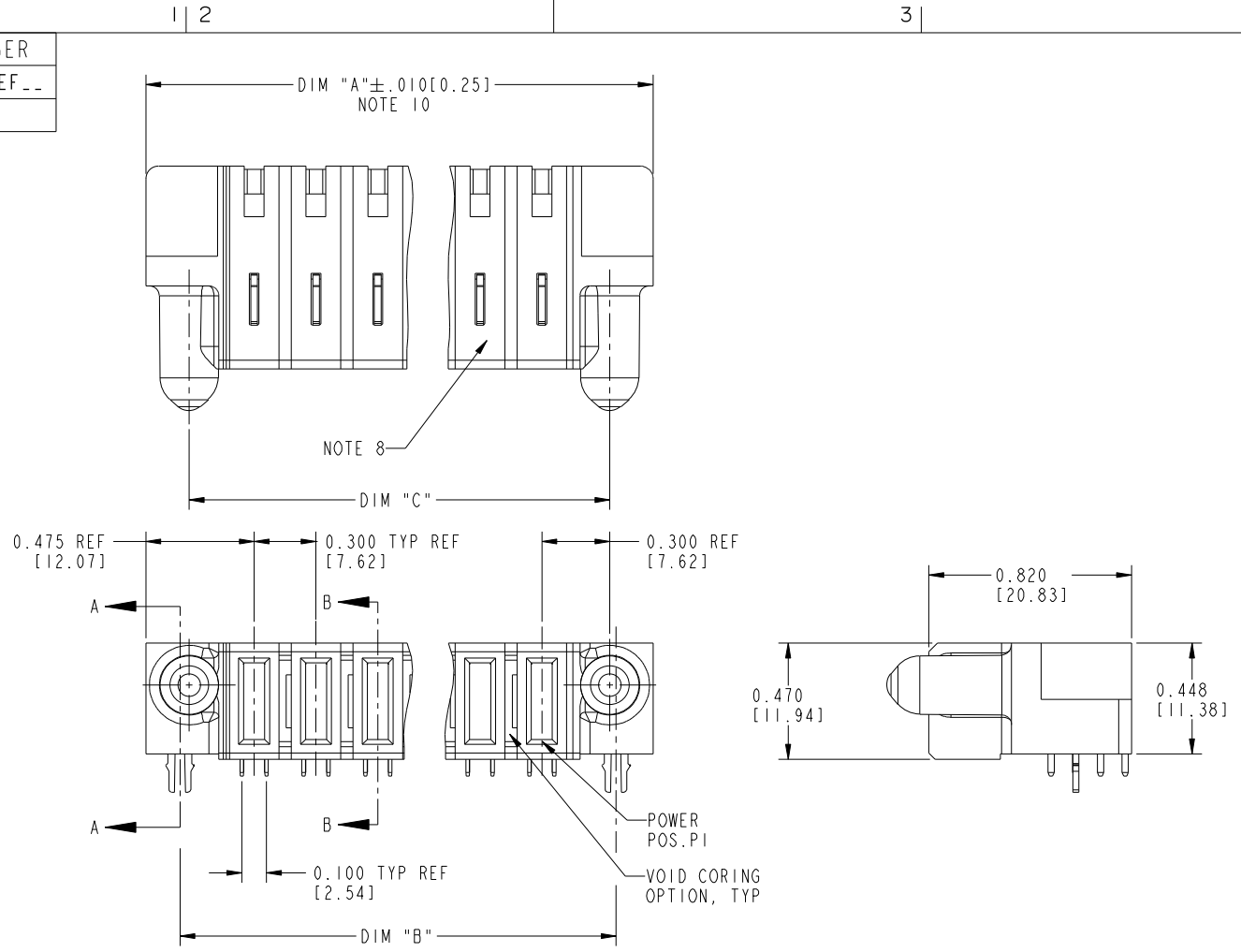


Tous droits strictement réservés. Reproduction ou communication à des tiers interdite sous quelque forme que ce soit sans autorisation écrite du propriétaire. Propriété de c.FCI. Droits de reproduction FCI.



All rights strictly reserved. Reproduction or issue to third parties in any form whatsoever is not permitted without written authority from the proprietor. Property of FCI. Copyright FCI.

PRODUCT NUMBER
51820-ABB00000EF_..
SEE NOTE 1



mat'l code				SEE NOTE 2		tolerances unless otherwise specified		CUSTOMER		 www.fciconnect.com	
ltr	ecn no.	dr	date	linear	.XX±.01/0.X±0.3	projection		COPY		title	
A	V02363	EKK	09-28-00		.XXX±.005/0.XX±0.13			R/A RECEPTACLE w/GUIDE PIN		.300 [7.62] POWER SPACING	
B	V21515	TAB	10-08-02	angles	.XXX±.002/0.XXX±.051			product family		code	
C	DG07-0047	RYAN	02/01/07		0°±?	INCH/MM		PwrBlade		213	
D	DG08-0239	JC	09/11/08	enr	E.KORFF 09-28-00	scale		size		sheet	
				chr	J.BROWN 09-28-00	3:2		dwg no		1 of 3	
				appd	J.BROWN 09-28-00			51820			
sheet index	revision sheet	D	D	D							
		1	2	3							

Pro/E 3 cage code 22526 4

Tous droits strictement reserves. Reproduction ou communication a des tiers interdite sous quelque forme que ce soit sans autorisation écrite du propriétaire. Propriete de c FCI. Droits de reproduction FCI.

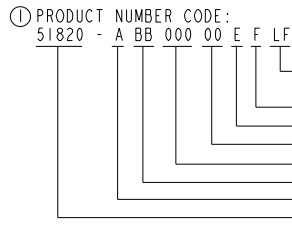


All rights strictly reserved. Reproduction or issue to third parties in any form whatever is not permitted without written authority from the proprietor. Property of FCI. Copyright FCI.

PRODUCT NUMBER
51820-ABB00000EF--
SEE NOTE 1

DIM	LENGTH FORMULAS (SEE NOTE 10)	
DIM "A"	.300 [7.62] x BB + .650 [16.51] (NOTE 10)	
DIM "B"	.300 [7.62] x BB + .350 [8.89]	
DIM "C"	.300 [7.62] x BB + .300 [7.62]	
DIM "F"	.300 [7.62] x BB + .680 [17.27]	

CONNECTOR NOTES



- ① PRODUCT NUMBER CODE:
51820 - A BB 000 00 E F LF
 - W/O THIS SUFFIX: 100u"/2.54um SnPb ON PCB INTERFACE
 - WITH THIS SUFFIX: 78u"/2.00um Sn ON PCB INTERFACE $\triangle D$
 - RETENTION TO PCB (NOTE 8)
 - TAIL OPTIONS (NOTE 7)
 - NUMBER OF LEFT END POWER CONTACTS (NOTE 6)
 - NUMBER OF SIGNAL CONTACTS (NOTE 5)
 - NUMBER OF RIGHT POWER CONTACTS (NOTE 4)
 - PLATING (NOTE 3)
 - BASE NUMBER
- ② HOUSING MATERIAL: GLASS FILLED V-O HIGH TEMP THERMO PLASTIC.
SIGNAL CONTACT MATERIAL: COPPER ALLOY
POWER CONTACT MATERIAL: COPPER ALLOY
- $\triangle D$ ③ PLATING OPTION:
1 = SEE PRINT 10064183 FOR PLATING SPEC OF 51763-1BB00000EF; 51763-1BB00000EFLF
- ④ RIGHT END POWER CONTACTS, 01 TO 20 AVAILABLE.
- ⑤ THIS PART NOT AVAILABLE WITH SIGNAL CONTACTS.
- ⑥ THIS PART NOT AVAILABLE WITH LEFT END POWER CONTACTS.
- ⑦ TAIL OPTIONS:
A = .135 ± .010 [3.43 ± .25] SOLDER TO BOARD
B = .090 ± .005 / -.010 [2.29 ± 0.13 / -.025] SOLDER TO BOARD
C = .154 ± .010 [3.91 ± .25] PRESS-FIT TO BOARD
- ⑧ RETENTION TO PCB OPTIONS:
A = BOARD LOCK (REQUIRES .098 ± .002 / -.001 [2.49 ± 0.05 / -0.03] THRU HOLE IN PCB MOUNTING FOOT HEIGHT: .220 [5.59])
B = .150 [3.81] THRU HOLE (REQUIRES .158 ± 0.003 [4.01 ± 0.08] THRU HOLE IN PCB). MOUNTING FOOT HEIGHT .160 [4.06]
- ⑨ MANUFACTURE'S NAME, P/N, AND DATE CODE TO APPEAR ON THIS SURFACE.
- ⑩ THE MAXIMUM OVERALL LENGTH (DIM A) OF A PART IS 8.00 [203.2]
- 11. PRODUCT SPECIFICATION GS-12-149 APPLICATION SPECIFICATION BUS-20-067
- 12. REFERENCE 51699 FOR SPECIALS WORKSHEET

- PCB NOTES:
- 13. ALL DIMENSIONS ARE BASIC UNLESS OTHERWISE SPECIFIED.
 - 14. ALL THROUGH HOLES ARE LOCATED WITH A TRUE POSITION OF .004 [0.10]
 - 15. ALL HOLE DIAMETERS ARE FINISHED HOLE SIZE.
 - 16. $\varnothing 0.0453 \pm .001$ [1.151 ± 0.02] DRILLED HOLES PLATED WITH 0.0003 [0.007] MIN SnPb OR Sn OVER 0.001 [1.03] TO .003 [0.08] PLATING TO ACHIEVE A .040 ± .003 [1.02 ± 0.08] HOLE.
 - 17. $\triangle D$ SYMBOL WILL BE NEXT TO ANY DIMENSION, VIEW, OR NOTE WHICH HAS BEEN MODIFIED WITH THE CURRENT DRAWING REVISION.

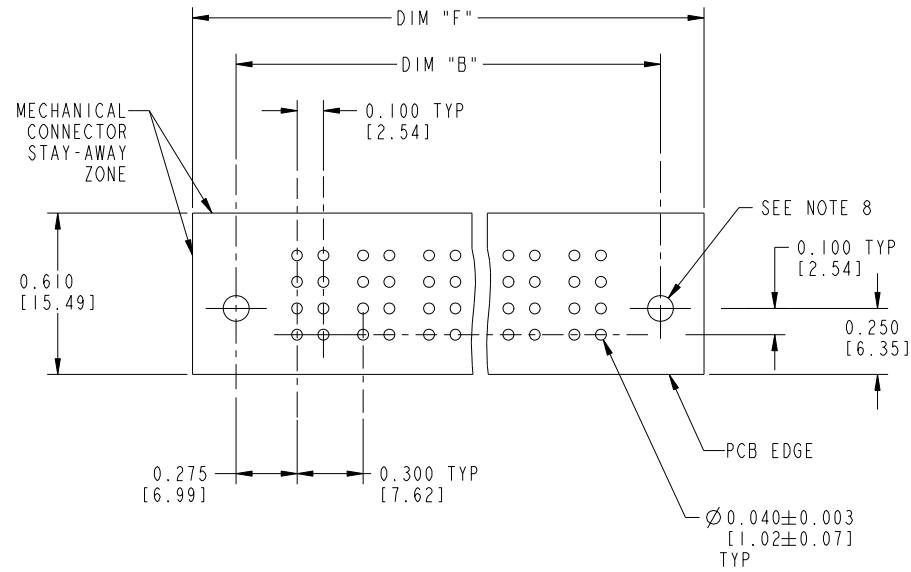
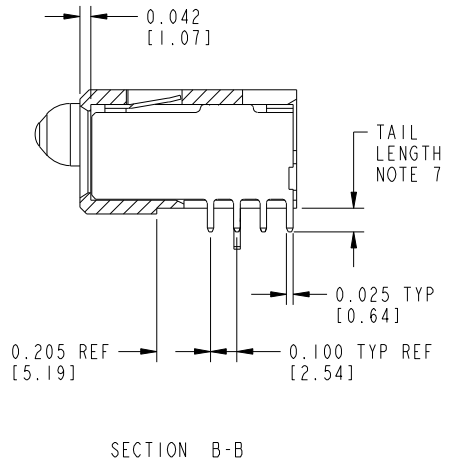
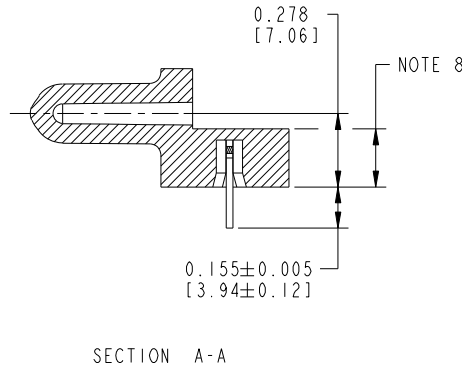
mat'l code		SEE NOTE 2		tolerances unless otherwise specified		CUSTOMER		www.fciconnect.com		
ltr	ecr no.	dr	date	linear	.XX ± .01 / 0.X ± 0.3		COPY			
D					.XXX ± .005 / 0.XX ± 0.13		projection			title R/A RECEPTACLE w/GUIDE PIN .300 [7.62] POWER SPACING
					.XXX ± .0020 / 0.XXX ± .051					
				angles	0° ± 2°		product family PWRBLADE code 213			
				dr	E. KORFF	09-28-00	size dwg no		sheet 2	
				enrg	J. BROWN	09-28-00	51820			
				chr	J. BROWN	09-28-00	scale 3:2			
				appd	J. BROWN	09-28-00	A			
sheet index	revision sheet									

1 | 2 Pro/E 3 | cage code 22526 4

Tous droits strictement réservés. Reproduction ou communication à des tiers interdite sous quelque forme que ce soit sans autorisation écrite du propriétaire. Propriété de c.FCI. Droits de reproduction FCI.

All rights strictly reserved. Reproduction or issue to third parties in any form whatever is not permitted without written authority from the proprietor. Property of FCI. Copyright FCI.

PRODUCT NUMBER
51820-ABB00000EF_..
SEE NOTE 1



mat'l code		SEE NOTE 2		tolerances unless otherwise specified		CUSTOMER		 www.fciconnect.com	
ltr	ecn no.	dr	date	linear	.XX±.01/0.X±0.3	COPY		title	
D				projection	.XXX±.005/0.XX±0.13			R/A RECEPTACLE w/GUIDE PIN .300 [7.62] POWER SPACING	
				angles	.XXX±.002/0.XXX±.051	INCH/MM		product family	
				dr	0°±?	scale		PWRBLADE	
				enr	E.KORFF 09-28-00	3:2		code	
				chr	J.BROWN 09-28-00	A		213	
				appd	J.BROWN 09-28-00	51820		sheet	
sheet index		revision sheet						3	
								cage code	
								22526	

Pro/E

cage code 22526