

DIMENSIONS ARE IN INCHES		UNLESS OTHERWISE NOTED	TOLERANCES ARE:
ONE PLACE DECIMALS $\pm .1$ [2.5]	THREE PLACE DECIMALS $\pm .005$ [.13]	ANGLES $\pm 3^\circ$	
TWO PLACE DECIMALS $\pm .01$ [.3]	FOUR PLACE DECIMALS $\pm .0020$ [.051]		

TITLE:
1mm x 1mm CENTERLINE
SURFACE MOUNT BOARD
STACKER ASSEMBLY

DWG NO:
MW-XX-03-X-D-XXX-XXX-XX
SHEET 3 OF 3

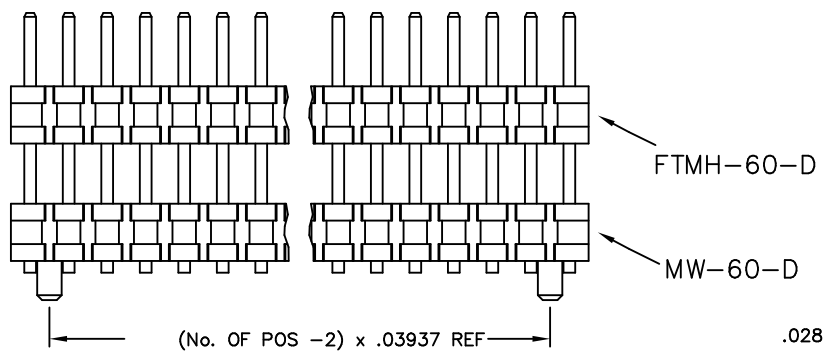


FIG 6
-A OPTION
(STAKED)
MAX 60 POSITIONS

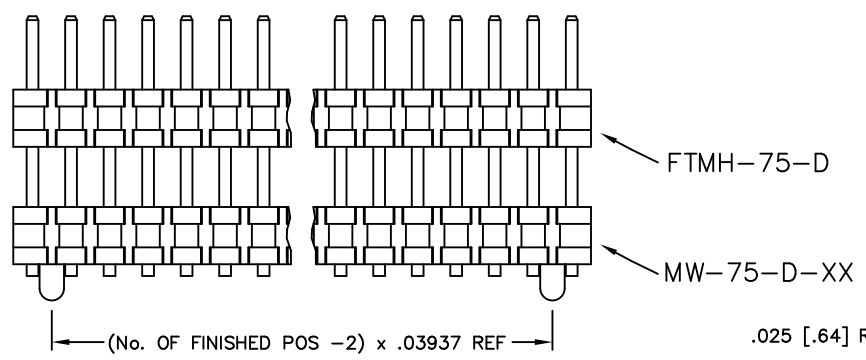
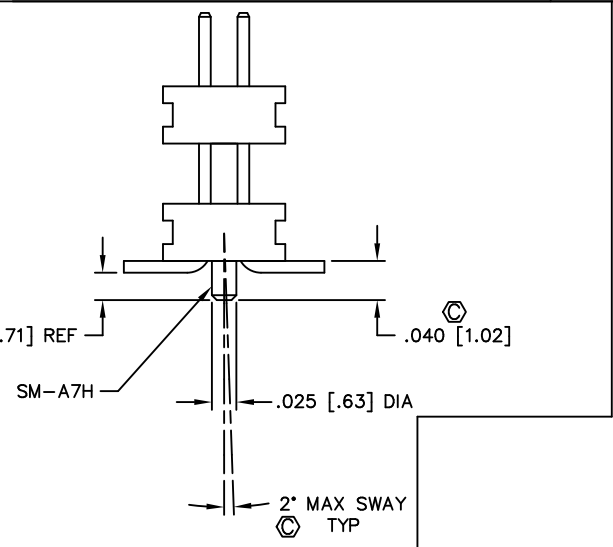
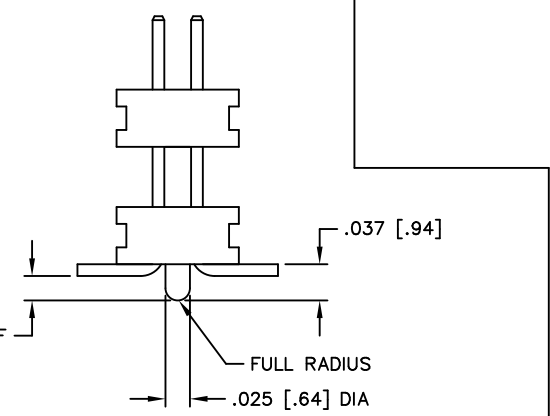


FIG 7
-A OPTION
(MOLDED)
MAX 75 POSITIONS



PROPRIETARY NOTE
THIS DOCUMENT CONTAINS INFORMATION CONFIDENTIAL AND PROPRIETARY TO SAMTEC INC. AND SHALL NOT BE REPRODUCED OR TRANSMITTED IN ANY FORM OR BY ANY MEANS, ELECTRONIC OR MECHANICAL, INCLUDING PHOTOCOPYING, RECORDING, OR BY ANY INFORMATION STORAGE AND RETRIEVAL SYSTEM, WITHOUT THE WRITTEN CONSENT OF SAMTEC INC.

PLOT SCALE: 1 = .1
EXISPROD\ASSEMBLY\1MM
MW-ASM3

520 PARK EAST BLVD. NEW ALBANY, INDIANA 47150
PHONE (812) 944-6733 P.O. BOX 1147
CODE 55322

SHT 2 MADE BY: JONES 1-17-97	ENG. APPROVAL	MW-XX-03-X-D-XXX-XXX-XX SHEET 3 OF 3
---------------------------------	---------------	---