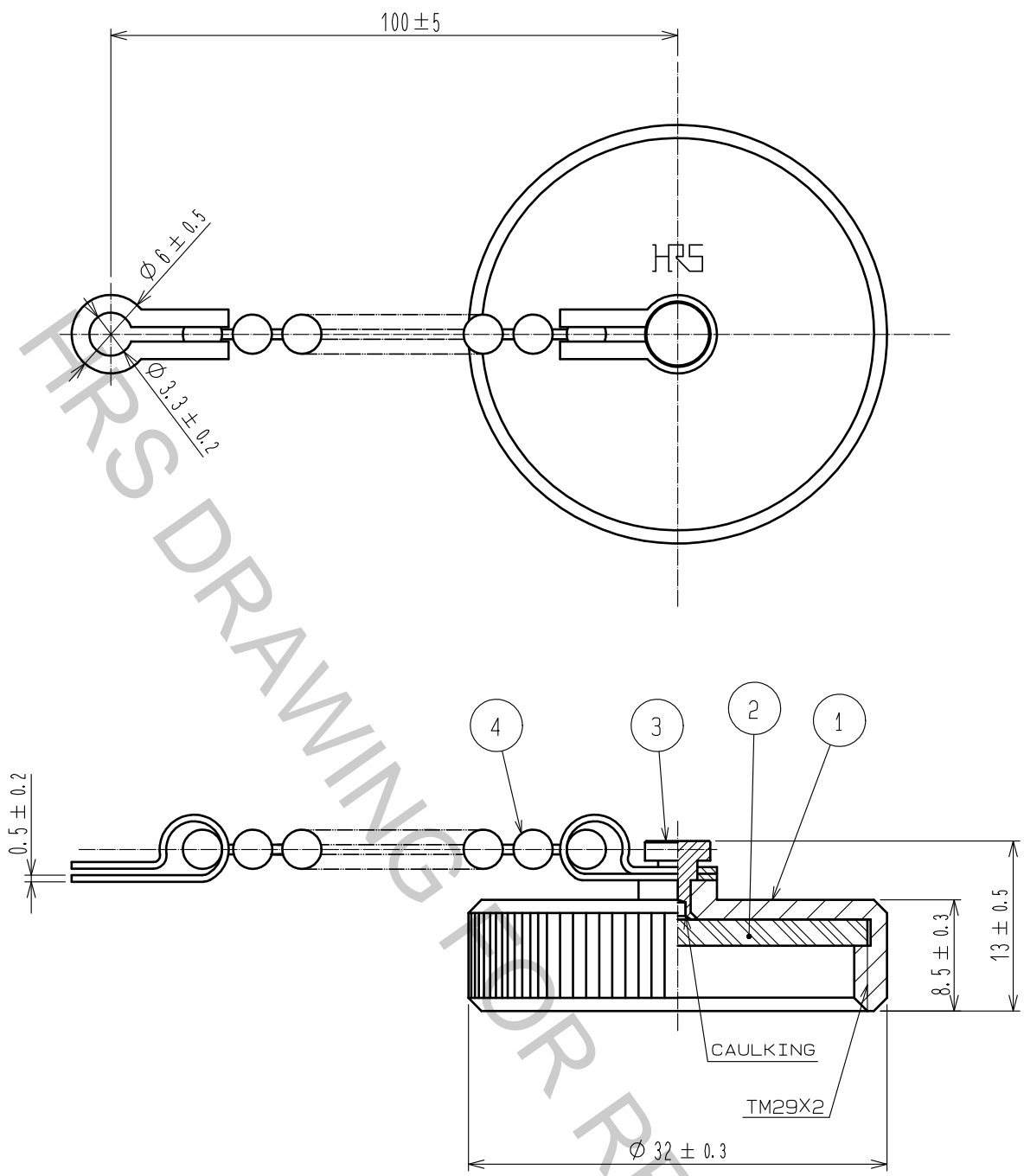


Aug.1.2018 Copyright 2018 HIROSE ELECTRIC CO., LTD. All Rights Reserved.
 In case that the application demands a high level of reliability, such as automotive,
 please contact a company representative for further information.



NOTE THIS PRODUCT IS A CAP FOR RM24TR※-※(※), RM24WTR※-※(※)
 IT IS APPLICABLE REGARDLESS OF GIVEN ALPHABETS OR NUMBERS SHOWN AT ※.

2	CHLOROPRENE RUBBER	(BLACK)	4	BRASS	NICKEL PLATING		
1	BRASS	NICKEL PLATING	3	BRASS	NICKEL PLATING		
NO.	MATERIAL	FINISH . REMARKS	NO.	MATERIAL	FINISH . REMARKS		
UNITS		SCALE	COUNT	DESCRIPTION OF REVISIONS	DESIGNED	CHECKED	DATE
mm		2 : 1					
HIROSE ELECTRIC CO., LTD.		APPROVED	HY. KOBAYASHI	18.02.22	DRAWING NO. EDC-003912-31-00		
		CHECKED	HY. KOBAYASHI	18.02.22	PART NO. RM24TR-C(31)		
		DESIGNED	HY. KISHI	18.02.21	CODE NO. CL109-0492-2-31		
		DRAWN	MK. INOUE	18.02.06	1/1		