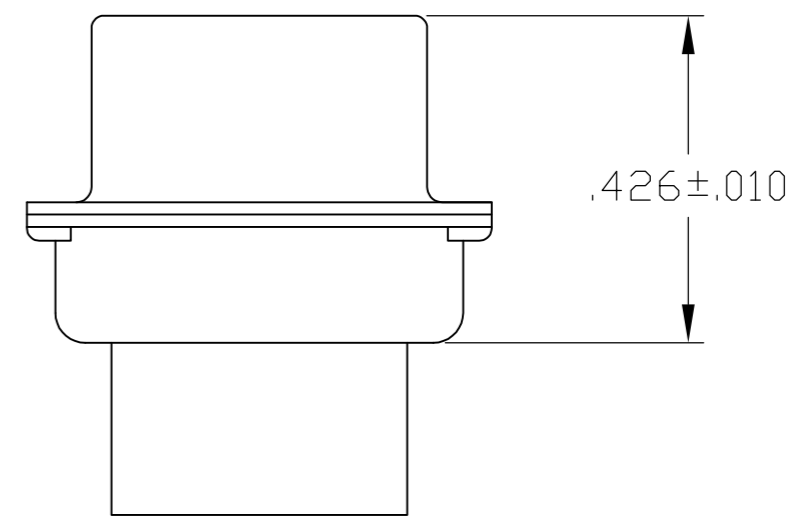
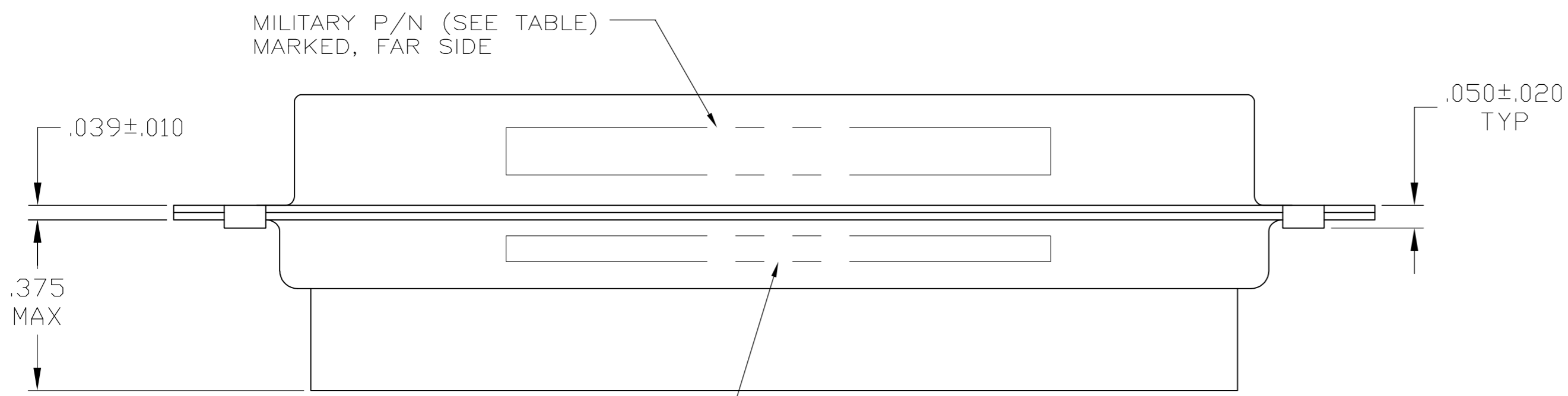
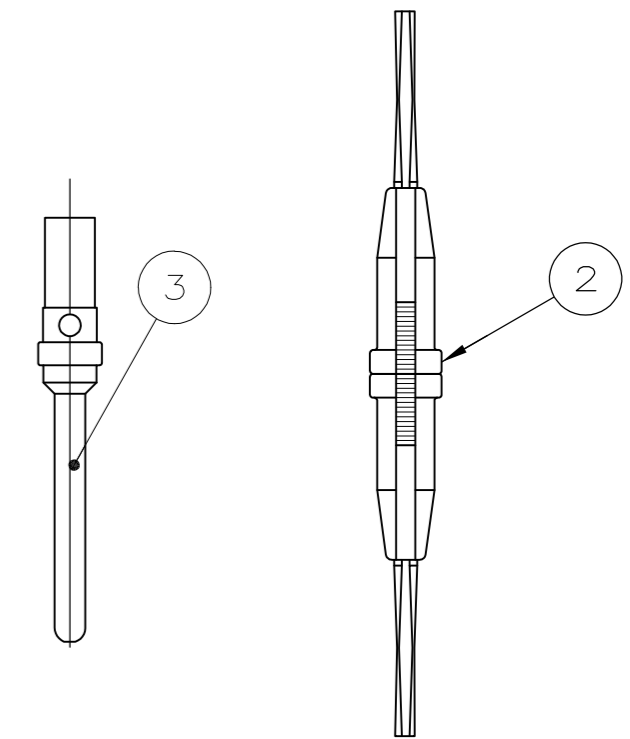
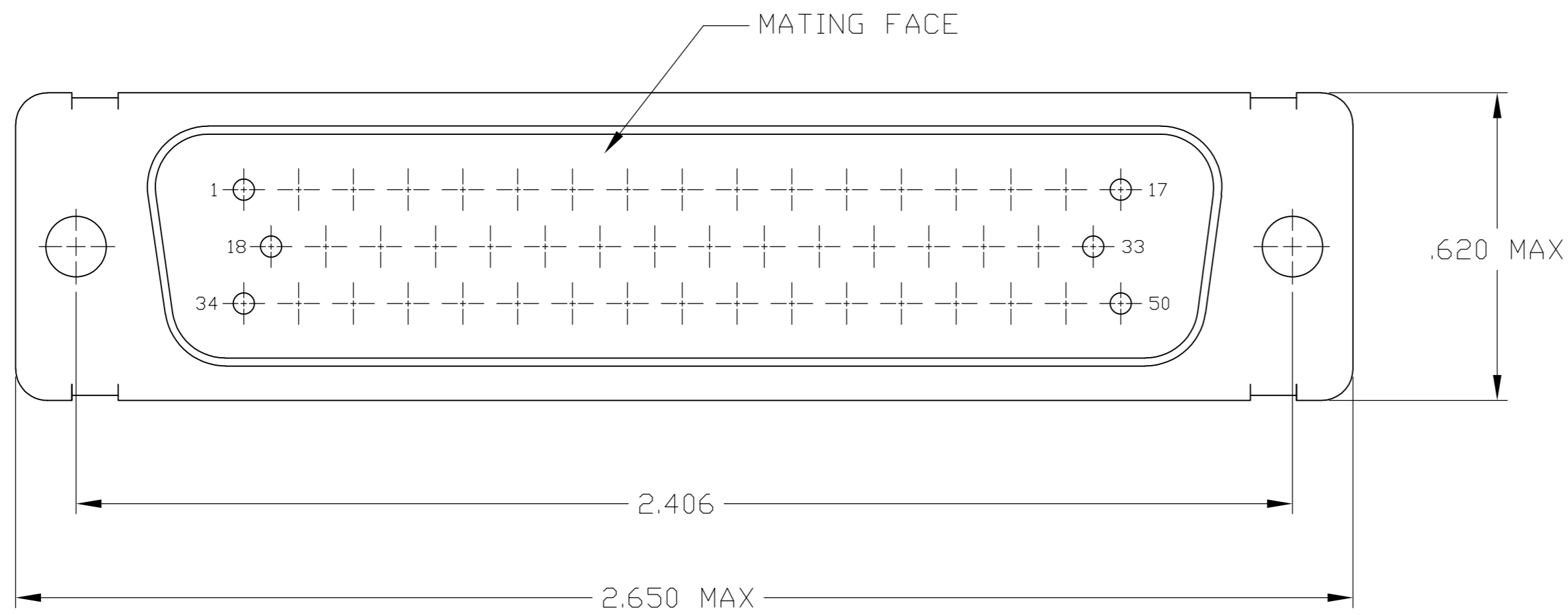


THIS DRAWING IS UNPUBLISHED. RELEASED FOR PUBLICATION
 © COPYRIGHT - By - ALL RIGHTS RESERVED.

LOC		DIST		REVISIONS			
P	LTR	DESCRIPTION	DATE	DWN	APVD		
	H1	REVISED PER ECO-11-005030	11MAR11	RK	HMR		



MFG'S NAME, BRAND OR LOGO AND DATE CODE MARKED, FAR SIDE

	OBSOLETE	205564-3	M24308/8-10F	205089-1	91067-2	205170-2	205564-5
	SUPERSEDED BY 206804-2 AND 205089-1	205564-3	M24308/8-5F	205089-1	-	205170-2	205564-4
		205564-3	M24308/4-10F	205089-1	91067-2	205170-1	205564-3
		205564-2	M24308/4-5F	205089-1	-	205170-1	205564-2
	SUPERSEDED BY 205170-2 AND 91067-2	205564-1	-	-	91067-2	205170-1	205564-1
		P/N MARKED ON PACKAGE	MILITARY P/N MARKED ON PACKAGE	③ PIN CONTACT QTY. = 50	② INSERTION/EXTRACTION TOOL QTY. = 1	① PLUG ASSY QTY. = 1	PART NUMBER

① FOR CONNECTOR ASSEMBLIES WITHOUT CONTACTS, TE CONNECTIVITY CONTACT PART NOS. 205089-1 MUST BE ORDERED SEPARATELY. CONNECTORS WITH CONTACTS ARE SUPPLIED WITH CONTACT 205089-1.

THIS DRAWING IS A CONTROLLED DOCUMENT.

DWN	P. YEAGER	11MAR09
CHK	R. LEASE	12MAR09
APVD	R. LEASE	12MAR09

TE TE Connectivity

NAME: AMPLIMITE, KIT,HDM-20, SERIES, PLUG, SIZE 5 , 50 POSITION

SIZE	A2	CAGE CODE	00779	DRAWING NO	C=205564	RESTRICTED TO	-
SCALE	4:1	SHEET	1 of 1	REV	H1		

CUSTOMER DRAWING

205564