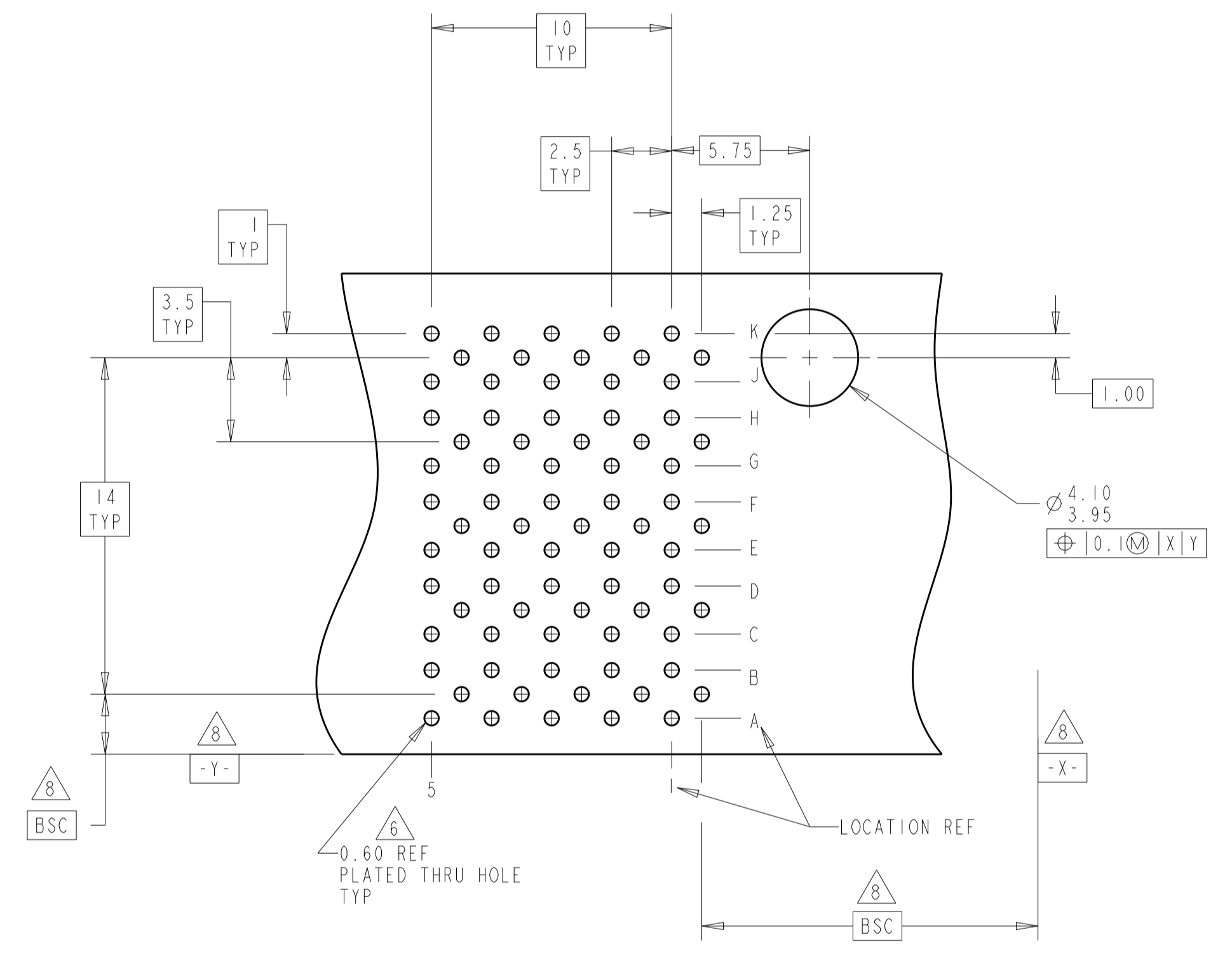
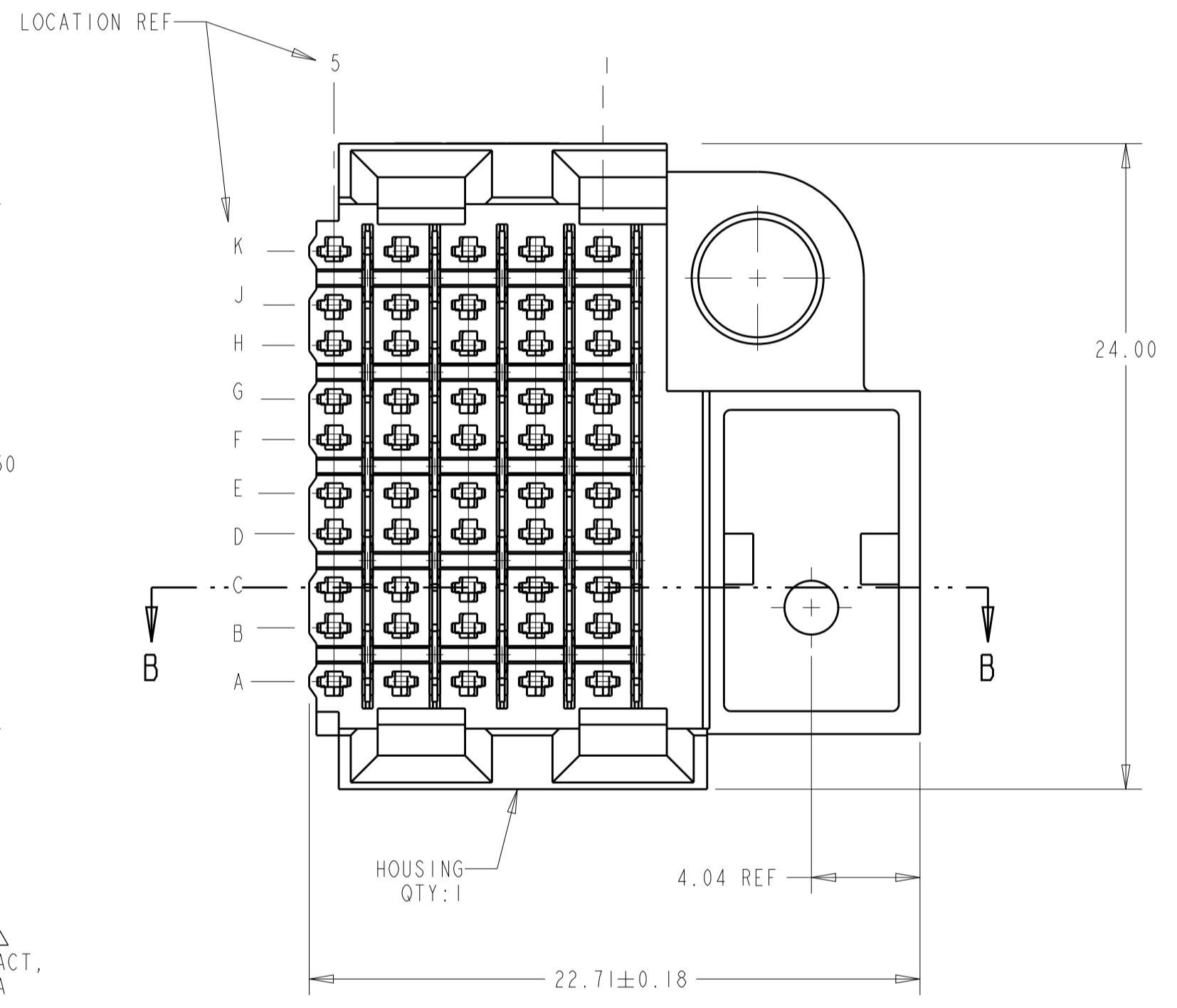
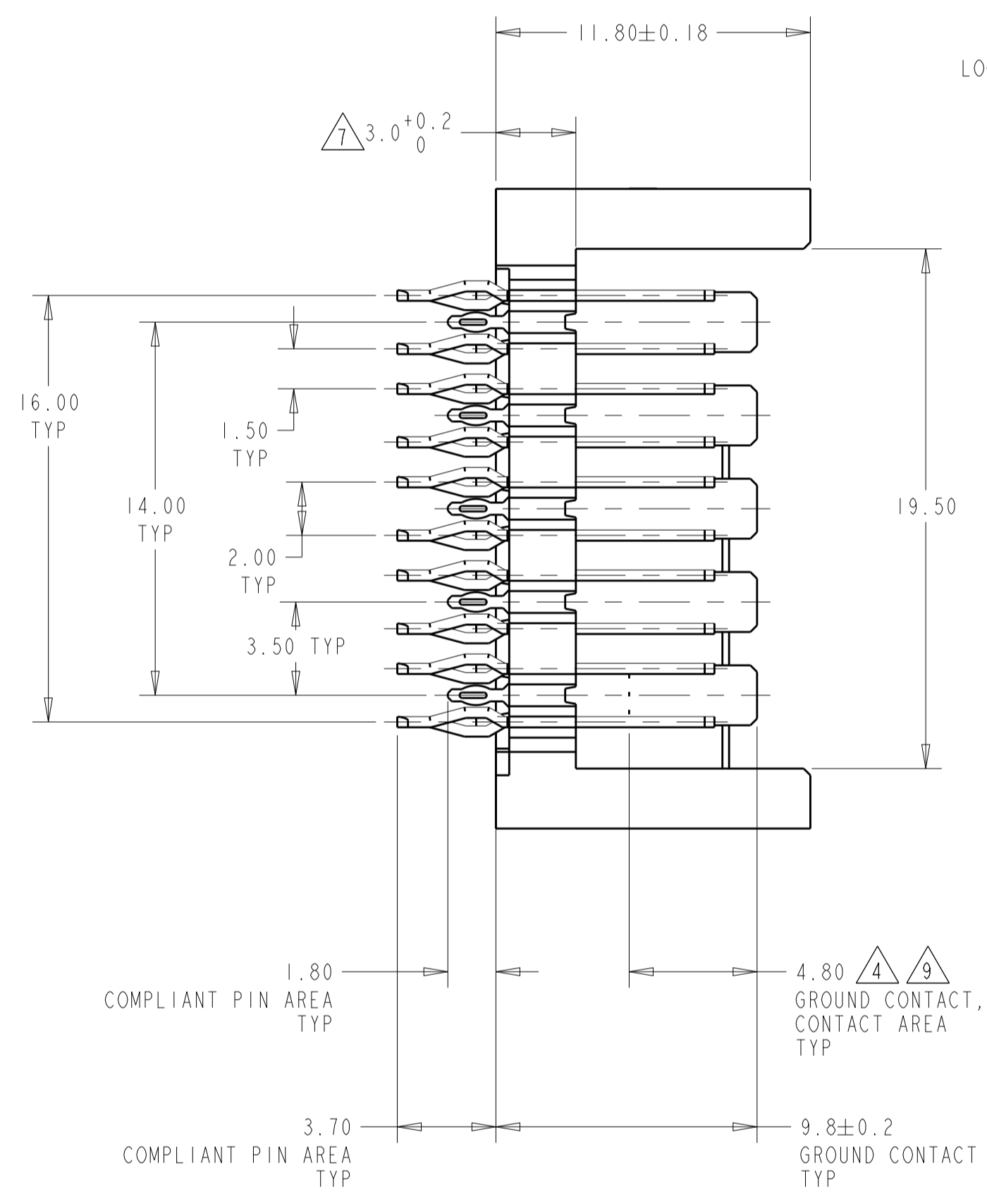
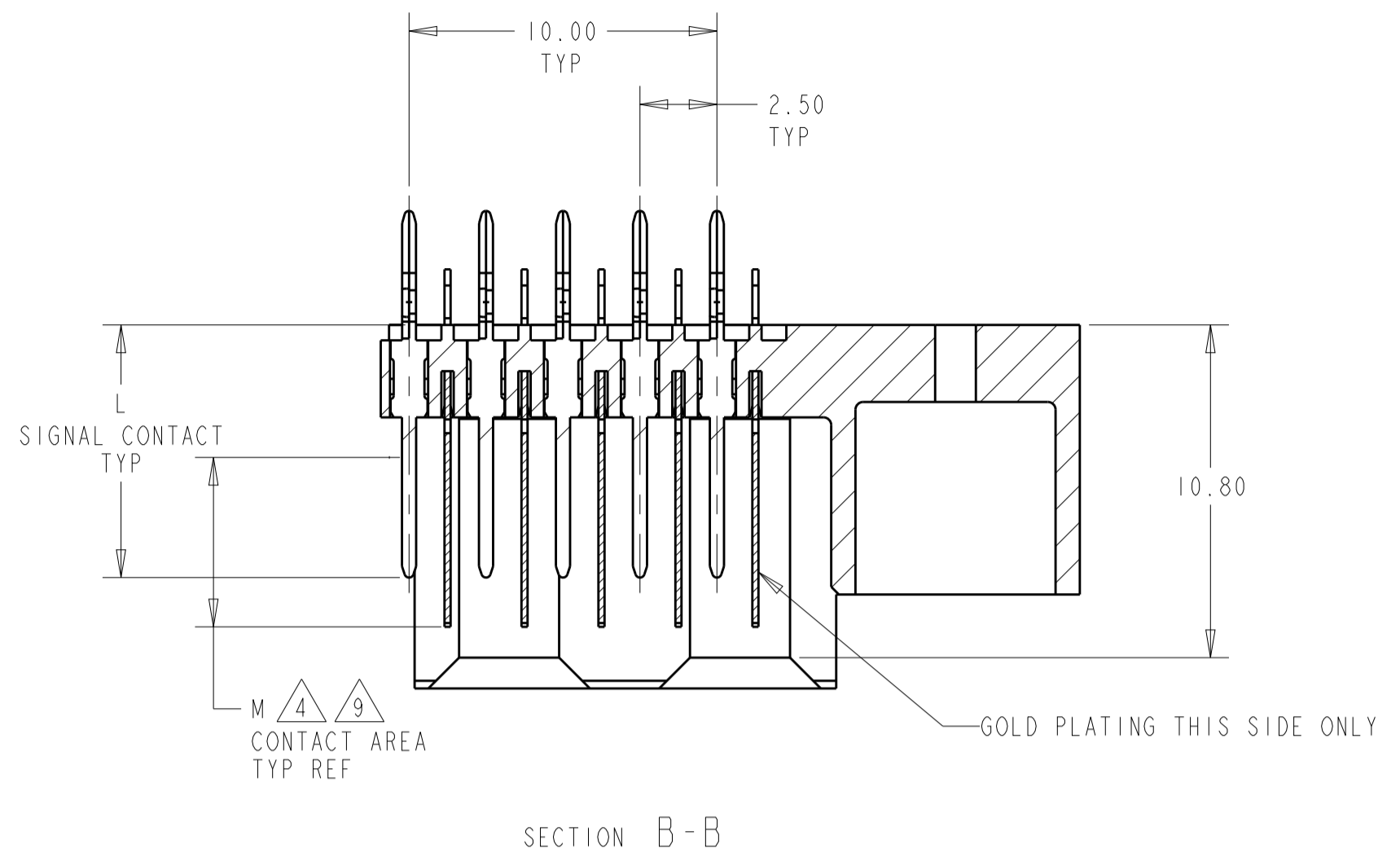
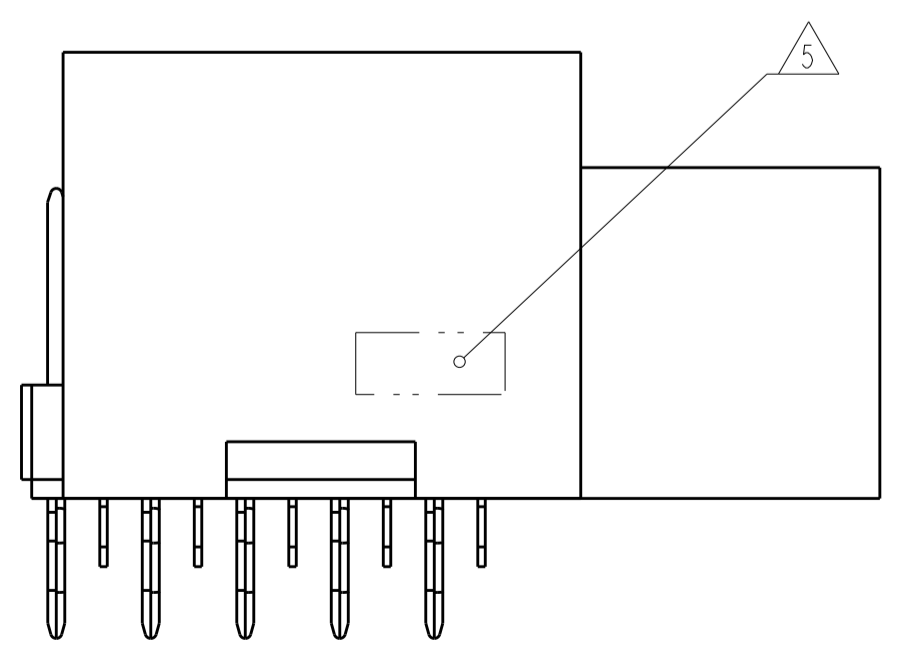


| LOC | | DIST | | REVISIONS | | | |
|-----|----|------|-----|---------------------------|-----------|-----|------|
| AD | 00 | P | LTN | DESCRIPTION | DATE | DWN | APVD |
| | | C1 | | REVISED PER ECO-12-006972 | 29AUG2012 | KH | JE |

- 2 PHOSPHOR BRONZE
- 3 LCP, UL94V-0
- 4 FINISH:
CONTACT MATING AREA MEETS THE PERFORMANCE REQUIREMENTS OF
TE CONNECTIVITY PRODUCT SPECIFICATION 108-1957; BASED ON
TELCORDIA GR-1217-CORE, APPLICATIONS IN UNCONTROLLED ENVIRONMENTS.
COMPLIANT PIN AREA: 0.5µm MIN MATTE TIN OVER BASE PLATING.
- 5 CONNECTOR MARKED WITH PART NUMBER AND DATE CODE
- 6 REFERENCE APPLICATION SPEC 114-13020 FOR RECOMMENDED
PLATED THRU HOLE DIAMETER AND PLATING THICKNESS.
- 7 APPLICATION SEATING HEIGHT TO PRINTED CIRCUIT BOARD
- 8 DATUMS AND BASIC DIMENSIONS ESTABLISHED BY CUSTOMER
- 9 CONTACT AREA LUBRICATED WITH BELLCORE APPROVED LUBRICANT
TECHNICAL REFERENCE: GR-1217-CORE, ISSUE1, NOVEMBER 1995



RECOMMENDED
PRINTED CIRCUIT BOARD
LAYOUT
COMPONENT SIDE OF PRINTED CIRCUIT BOARD



| | | | |
|----------|------|-----|----------------------|
| OBSOLETE | 5.30 | 9.7 | 5120672-2 |
| | 5.50 | 8.2 | 5120672-1 |
| | M | L | PART NUMBER |

| | | | |
|---|-------------------|----------------------------|--|
| THIS DRAWING IS A CONTROLLED DOCUMENT. | | DWN: B. CARBO 06DEC04 | TE Connectivity NAME: HEADER ASSEMBLY, 50 POSITION, LEFT HAND, 10 ROW, Z-PACK HS3 |
| DIMENSIONS: mm | | CHK: R. PATTERSON 06DEC04 | |
| TOLERANCES UNLESS OTHERWISE SPECIFIED: | | APVD: R. PATTERSON 06DEC04 | |
| 0 PLC ± 1 PLC ± 2 PLC ±0.13 3 PLC ±0.05 4 PLC ± ANGLES ± | | PRODUCT SPEC | |
| MATERIAL: HOUSING: 3 | FINISH: 4 | APPLICATION SPEC | RESTRICTED TO: |
| CONTACTS: 2 | SIGNAL CONTACT: 4 | WEIGHT: - | A1 00779 C=5120672 |
| CUSTOMER DRAWING | | SCALE: 5:1 | SHEET 1 OF 1 REV C1 |