

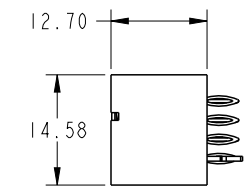
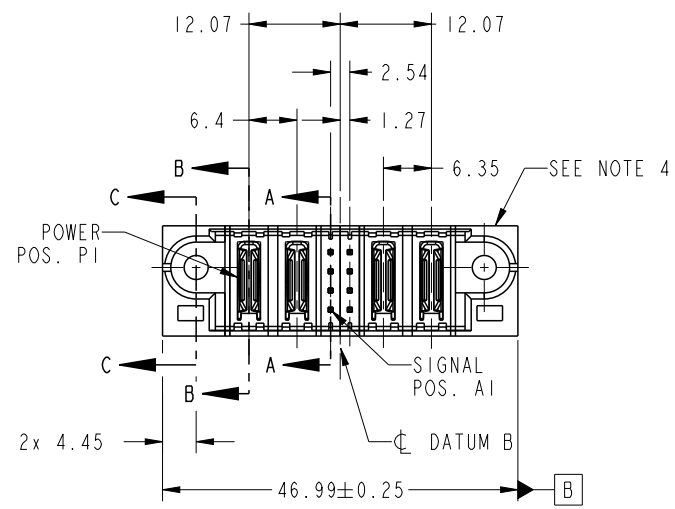
1

2

3

4

PRODUCT NO. 51710-064-- NOTE ③	ROWS DCBA	POWER		SIGNAL		POWER			
		E1	P1	P2	1	2	P3	P4	E2



CODE	DIM "M" MATING LENGTH	CONTACT TYPE
PC	[N/A]	POWER
K	[5.59]	SIGNAL
G	[6.86]	SIGNAL
HA	[N/A]	HOLD-DOWN



Copyright FCI.

spec ref	See Notes		dr	Jackie Huang	2013/10/30	projection 	MM ←→	size	A4	scale	1:1
tolerance std	TOLERANCES UNLESS OTHERWISE SPECIFIED		eng	Jackie Huang	2014/01/05			ecn no	-		
See Notes			chr	-	-			rel level	Released		
surface	linear	0.X ±0.50	appr	Pei-Ming Zheng	2014/01/05	product family	PwrBlade	rev	A		
		0.XX ±0.25	www.fci.com		title	2P+8S+2P		dwg no	51710-064		
		0.XXX ±0.10				VERTICAL PF HEADER					
	angular	0° ±2°	cat. no.	&model_name		Product - Customer Drw		sheet 1 of 4			

PrdE File - REV C - 2009-06-09

1

2

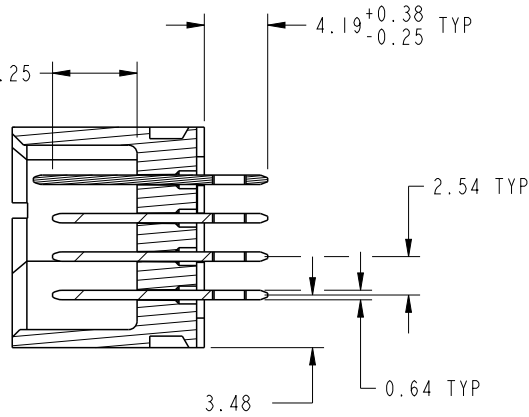
3

4

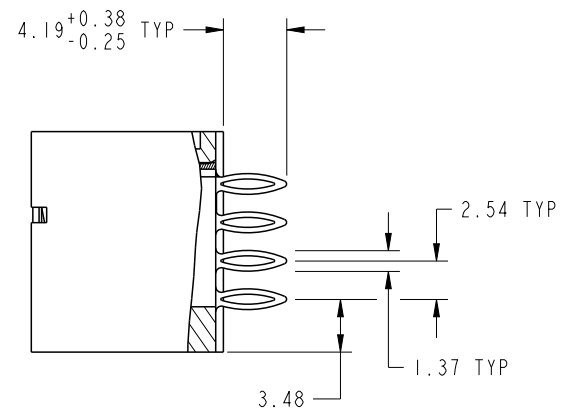
PRODUCT NUMBER

51710-064--
NOTE 3

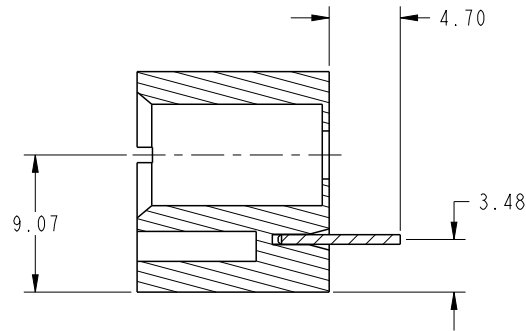
DIM "M" ±0.25



SECTION A-A
SCALE 2:1



SECTION B-B
SCALE 2:1



SECTION C-C
SCALE 2:1

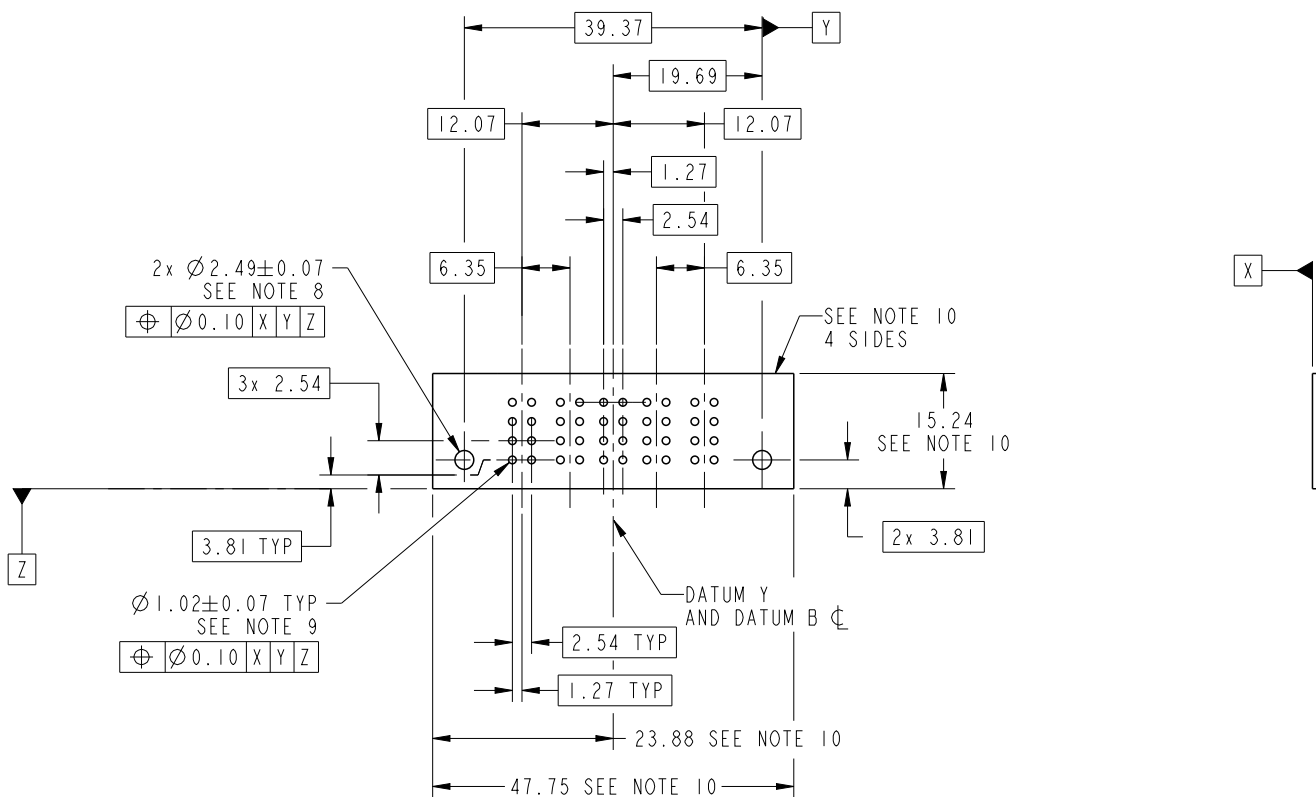
dr	Jackie Huang	2013/10/30	projection 	MM 	size	A4	scale	1:1
eng	Jackie Huang	2014/01/05			ecn no	-		
chr	-	-			rel level	Released		
appr	Pei-Ming Zheng	2014/01/05	product family	PwrBlade				
		title 2P+8S+2P VERTICAL PF HEADER			dwg no 51710-064		rev A	
www.fci.com		cat. no.	&model_name	Product - Customer Drw			sheet 2 of 4	



Copyright FCI.

PRODUCT NUMBER

51710-064__
NOTE 3



RECOMMENDED PCB LAYOUT

dr	Jackie Huang	2013/10/30	projection 	MM 	size	A4	scale	1:1
eng	Jackie Huang	2014/01/05			ecn no	-		
chr	-	-			rel level	Released		
appr	Pei-Ming Zheng	2014/01/05	product family	PwrBlade	rev	A		
	title	2P+8S+2P VERTICAL PF HEADER		dwg no	51710-064			
www.fci.com	cat. no.	&model_name	Product - Customer Drw		sheet 3 of 4			



PRODUCT NUMBER

51710-064--
NOTE 3

NOTES:

1. DIMENSIONS AND TOLERANCES ARE IN ACCORDANCE WITH ASME Y14.5M, 1994 UNLESS OTHERWISE SPECIFIED.

CONNECTOR NOTES:

- 2 HOUSING MATERIAL: UL 94 V-0 GLASS FILLED HIGH-TEMP THERMOPLASTIC
POWER CONTACT MATERIAL: COPPER ALLOY
SIGNAL PIN MATERIAL: COPPER ALLOY
- 3. SEE ITEM 3 & 4 IN PRINT 10064183 FOR PLATING SPEC OF 51710-064 AND 51710-064LF RESPECTIVELY.

4 MANUFACTURER'S NAME, DATE CODE AND OPTIONAL P/N TO APPEAR ON THIS SURFACE. THE MARK CAN BE OMITTED IF THERE IS NOT ENOUGH SPACE ON THIS SURFACE.

5. PRODUCT SPECIFICATION GS-12-149.
APPLICATION SPECIFICATION BUS-20-067.

6. PACKAGED IN TRAYS.

PCB NOTES:

- 7. ALL HOLE DIAMETERS ARE FINISHED HOLE SIZE.
- 8. MOUNTING HOLES, WHERE APPLICABLE, ARE UNPLATED.

9 $\varnothing 1.151 \pm 0.025$ DRILLED HOLES PLATED WITH 0.008 MIN SnPb OR Sn OVER .001 [0.03] TO 0.08 Cu PLATING TO ACHIEVE $\varnothing 1.02 \pm 0.07$ HOLE.

10 CONNECTOR KEEP-OUT ZONE.

11. FOR PRESS FIT APPLICATION USE FCI CAM TOOL 430169-XXX.



Copyright FCI.

dr	Jackie Huang	2013/10/30	projection 	MM 	size	A4	scale	1:1
eng	Jackie Huang	2014/01/05			ecn no	-		
chr	-	-						
appr	Pei-Ming Zheng	2014/01/05	product family	PwrBlade	rel level	Released		
	title	2P+8S+2P VERTICAL PF HEADER		dwg no	51710-064		rev	A
www.fci.com	cat. no.	&model_name	Product - Customer Drw			sheet 4 of 4		