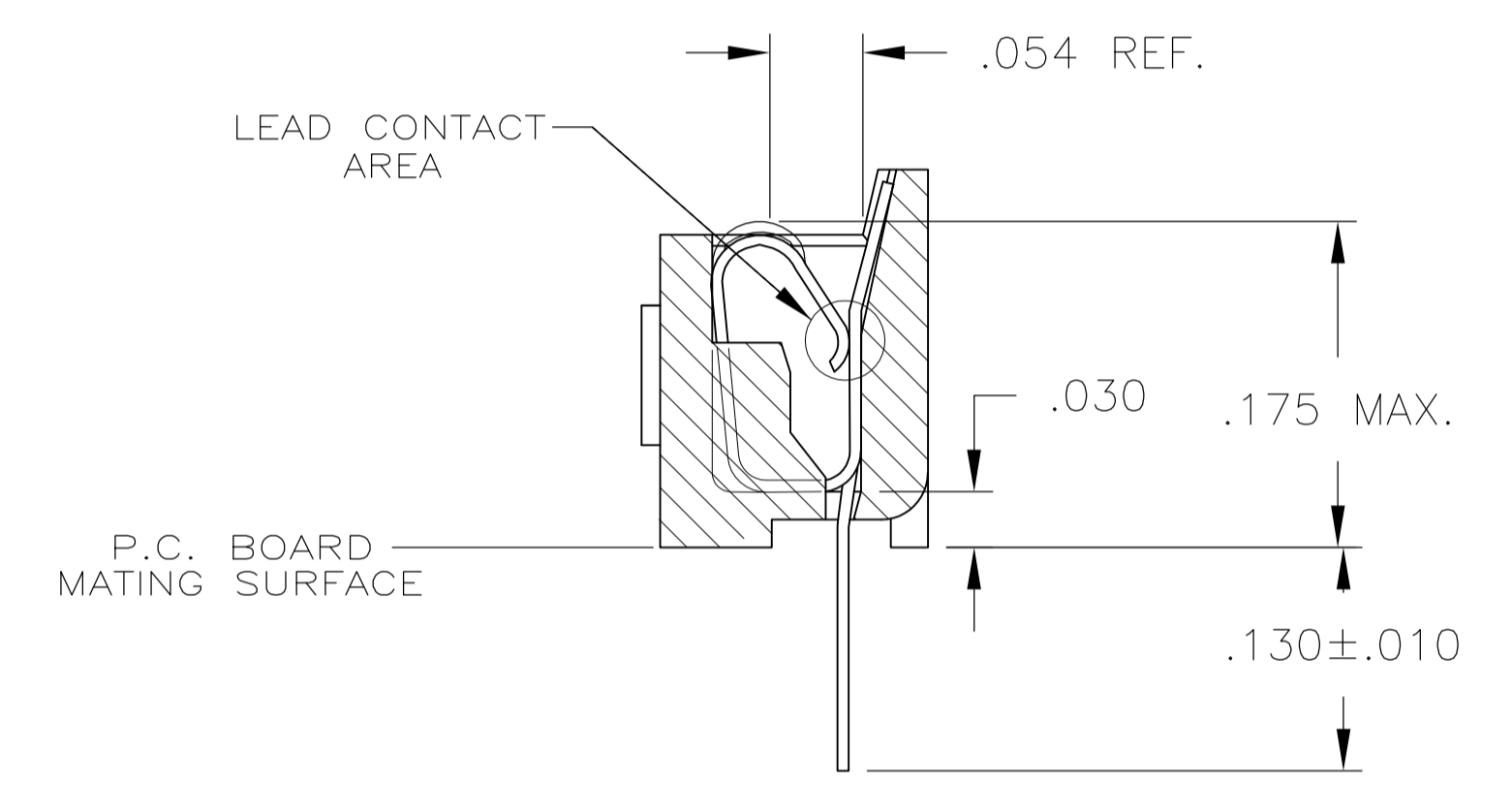


1. RECEPTACLE ACCEPTS AN .008-.014 THK. I.C. LEAD.
2. TWO .000030 MIN.THK.GOLD STRIPES IN CONTACT AREA, TIN-LEAD(93-7) ON CONTACT LEGS, BALANCE OF CONTACT NICKEL PLATED.
3. TWO .000015 MIN.THK.GOLD STRIPES IN CONTACT AREA, TIN-LEAD(93-7) ON CONTACT LEGS, BALANCE OF CONTACT NICKEL PLATED.



	TINNED	PHOS.BRZ.	GLASS-FILLED THERMOPLASTIC, 94V-O, BLACK	643646-8
OBSOLETE	2	BE.CU.	GLASS-FILLED THERMOPLASTIC, 94V-O, BLACK	643646-7
	TINNED	BE.CU.	GLASS-FILLED THERMOPLASTIC, 94V-O, BLACK	643646-6
SUPSD BY 643646-2	2	PHOS.BRZ.	GLASS-FILLED THERMOPLASTIC, 94V-O, BLACK	643646-4
	TINNED	PHOS.BRZ.	GLASS-FILLED THERMOPLASTIC, 94V-O, BLACK	643646-3
OBSOLETE	2	BE.CU.	GLASS-FILLED THERMOPLASTIC, 94V-O, BLACK	643646-2
	TINNED	BE.CU.	GLASS-FILLED THERMOPLASTIC, 94V-O, BLACK	643646-1
	CONTACT FINISH	CONTACT MAT'L	HOUSING MATERIAL	PART NO.

THIS DRAWING IS A CONTROLLED DOCUMENT.

DIMENSIONS: INCHES	TOLERANCES UNLESS OTHERWISE SPECIFIED:	DIN M. CYRUS 6-1-84	APPROVED: N. JONES 7-3-84	TE Connectivity SOCKET ASSY, SIP, 14 POS, DIPLOMATE DL
0 PLC ± -	1 PLC ± -	APPROVED: J. GRAY 7-10-84	NAME	
2 PLC ± -	3 PLC ± .005		PRODUCT SPEC	108-1066
4 PLC ± -	ANGLES ± -		APPLICATION SPEC	114-1049
MATERIAL SEE TABLE	FINISH SEE TABLE	WEIGHT	SIZE	CAGE CODE
			A1	00779
			SCALE	5:1
			SHEET	1 OF 1
			REV	K1

CUSTOMER DRAWING