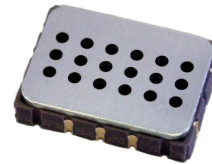




The MiCS-6814 is a compact MOS sensor with three fully independent sensing elements on one package.

The MiCS-6814 is a robust MEMS sensor for the detection of pollution from automobile exhausts and for agricultural/industrial odors.

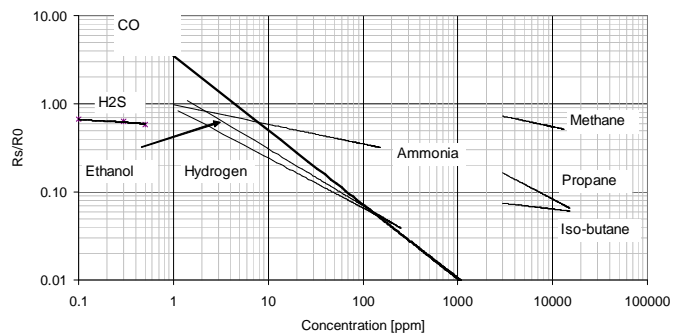


**Features**

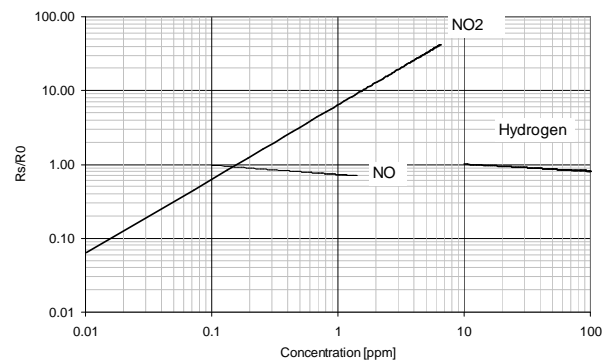
- Smallest footprint for compact designs (5 x 7 x 1.55 mm)
- Robust MEMS sensor for harsh environments
- High-volume manufacturing for low-cost applications
- Short lead-times

**Detectable gases**

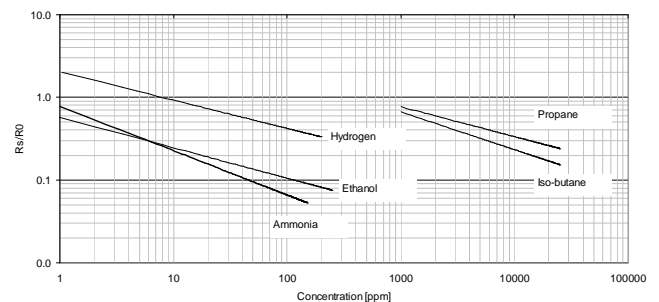
- Carbon monoxide CO 1 – 1000ppm
- Nitrogen dioxide NO<sub>2</sub> 0.05 – 10ppm
- Ethanol C<sub>2</sub>H<sub>5</sub>OH 10 – 500ppm
- Hydrogen H<sub>2</sub> 1 – 1000ppm
- Ammonia NH<sub>3</sub> 1 – 500ppm
- Methane CH<sub>4</sub> >1000ppm
- Propane C<sub>3</sub>H<sub>8</sub> >1000ppm
- Iso-butane C<sub>4</sub>H<sub>10</sub> >1000ppm



RED sensor, continuous power ON, 25°C, 50% RH



OX sensor, continuous power ON, 25°C, 50% RH



NH3 sensor, continuous power ON, 25°C, 50% RH

### Performance RED sensor

Characteristic RED sensor	Symbol	Typ	Min	Max	Unit
Sensing resistance in air (see note 1)	$R_0$	-	100	1500	$k\Omega$
Typical CO detection range	FS		1	1000	ppm
Sensitivity factor (see note 2)	$S_{60}$	-	1.2	50	-

### Performance OX sensor

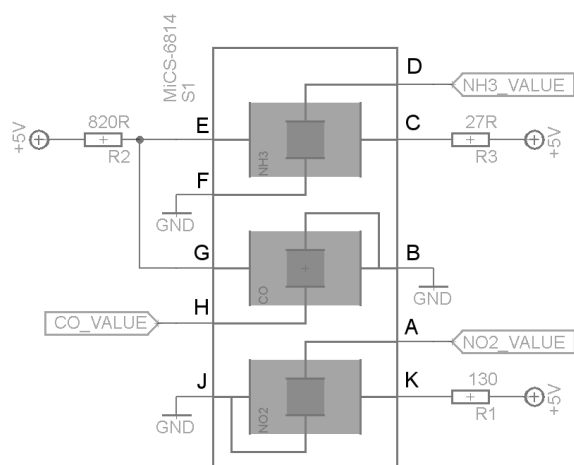
Characteristic OX sensor	Symbol	Typ	Min	Max	Unit
Sensing resistance in air (see note 1)	$R_0$	-	0.8	20	$k\Omega$
Typical NO <sub>2</sub> detection range	FS		0.05	10	ppm
Sensitivity factor (see note 3)	$S_R$	-	2	-	-

### Performance NH3 sensor

Characteristic OX sensor	Symbol	Typ	Min	Max	Unit
Sensing resistance in air (see note 1)	$R_0$	-	10	1500	$k\Omega$
Typical NH <sub>3</sub> detection range	FS		1	300	ppm
Sensitivity factor (see note 4)	$S_R$	-	1.5	15	-

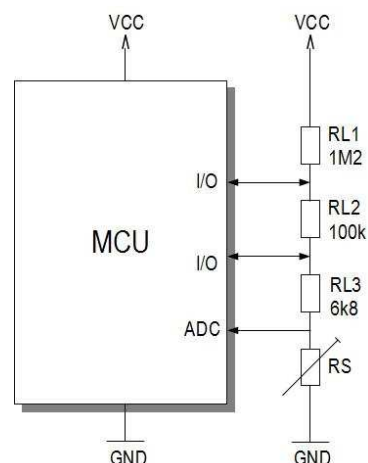
#### Notes:

1. Sensing resistance in air  $R_0$  is measured under controlled ambient conditions, i.e. synthetic air at  $23 \pm 5^\circ\text{C}$  and  $50 \pm 10\%$  RH for RED sensor and synthetic air at  $23 \pm 5^\circ\text{C}$  and  $\leq 5\%$  RH for OX sensor. Sampling test.
2. Sensitivity factor is defined as  $R_s$  in air divided by  $R_s$  at 60 ppm CO. Test conditions are  $23 \pm 5^\circ\text{C}$  and  $50 \pm 10\%$  RH. Indicative values only. Sampling test.
3. Sensitivity factor is defined as  $R_s$  at 0.25 ppm NO<sub>2</sub>, divided by  $R_s$  in air. Test conditions are  $23 \pm 5^\circ\text{C}$  and  $\leq 5\%$  RH. Indicative values only. Sampling test.
4. Sensitivity factor is defined as  $R_s$  in air divided by  $R_s$  at 1 ppm of NH<sub>3</sub>. Test conditions are  $23 \pm 5^\circ\text{C}$  and  $50 \pm 10\%$  RH. Indicative values only. Sampling test.



MiCS-6814 with recommended supply circuit (top view)

R1 is 130 Ohms, R2 is 820 Ohms and R3 is 27 Ohms. These resistors are necessary to obtain the right temperatures on the three independent heaters while using a single 5 V power supply. The resulting voltages are typically  $V_{hRED} = 2.4$  V,  $V_{hOX} = 1.7$  V and  $V_{hNH3} = 2.2$  V.

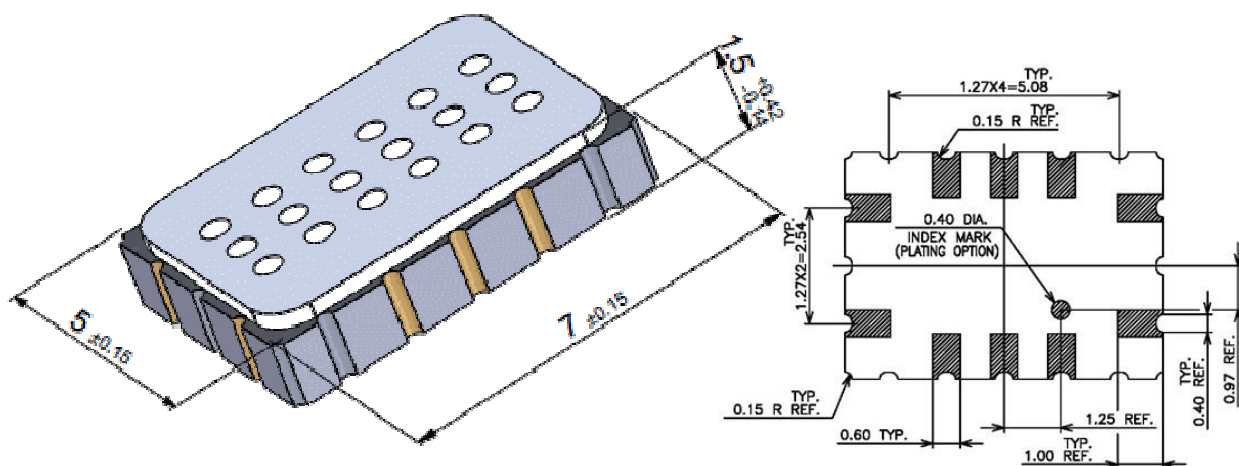


MiCS-6814 with measurement circuit (top view)

The example above shows the principle to read a resistance between 1 kOhms and 2MOhms with a 8bit A/D converter. Depending on the application and on the precision of the A/D converter, a single load resistor of 56 kOhms may be sufficient. Rload must be 820 Ohms at the lowest in order not to damage the sensitive layer.

Parameter RED sensor/OX sensor/NH3 sensor	Symbol	Typ	Min	Max	Unit
Heating power	$P_H$	76/43/66	71/30/60	81/50/73	mW
Heating voltage	$V_H$	2.4/1.7/2.2	-	-	V
Heating current	$I_H$	32/26/30	-	-	mA
Heating resistance at nominal power	$R_H$	74/66/72	66/59/64	82/73/80	$\Omega$

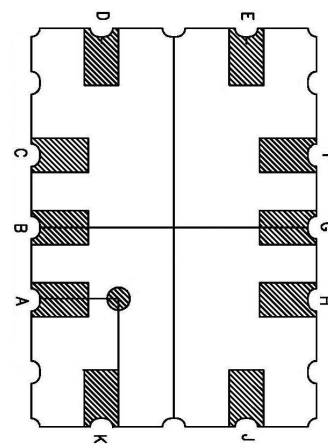
Rating	Symbol	Value / Range	Unit
Maximum heater power dissipation	$P_H$	88	mW
Maximum sensitive layer power dissipation	$P_S$	8	mW
Voltage supply/Heating current	$V_{supply}$	4.9 – 5.1	V
Relative humidity range	RH	5 – 95	%RH
Ambient operating temperature	$T_{amb}$	-30 – 85	$^{\circ}C$
Storage temperature range	$T_{sto}$	-40 – 120	$^{\circ}C$
Storage humidity range	RH <sub>sto</sub>	5 - 95	%RH



## Package outline dimensions

The package is compatible with SMD assembly process.

Pin	Connection
A	Rs2
B	Rh1 RED, Rs1 RED
C	Rh1 NH <sub>3</sub>
D	Rs1 NH <sub>3</sub>
E	Rh2 NH <sub>3</sub>
F	Rs2 NH <sub>3</sub>
G	Rh2 RED
H	Rs2 RED
J	Rh1 OX, Rs1 OX
K	Rh2 OX

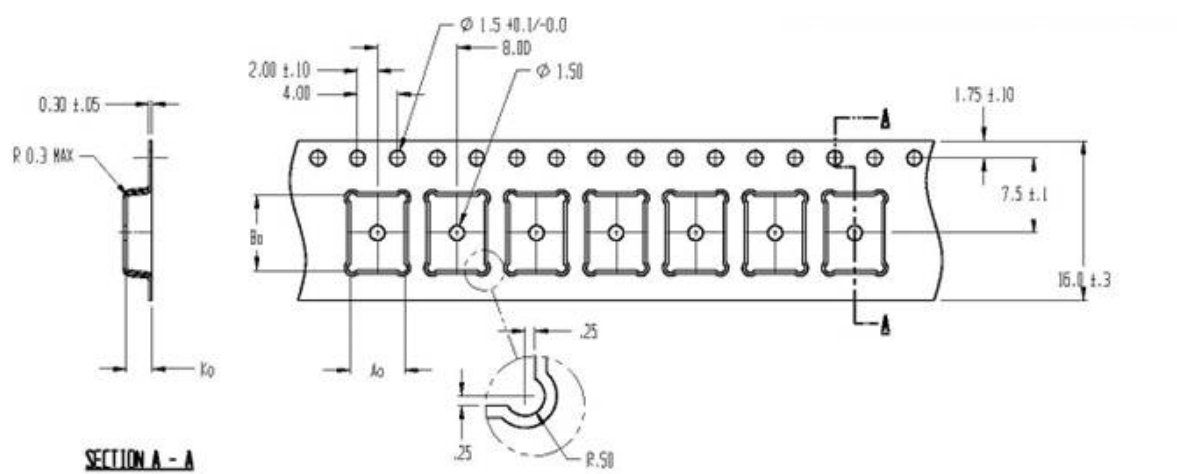


MiCS-6814 configuration (bottom view)

## Sensor configuration

The silicon gas sensor structure consists of an accurately micro machined diaphragm with an embedded heating resistor and the sensing layer on top.

The MiCS-6814 includes three sensor chips with independent heaters and sensitive layers. One sensor chip detects oxidising gases (OX), the other sensor detects reducing gases (RED) and the other detects NH<sub>3</sub>. The internal connections are shown above.

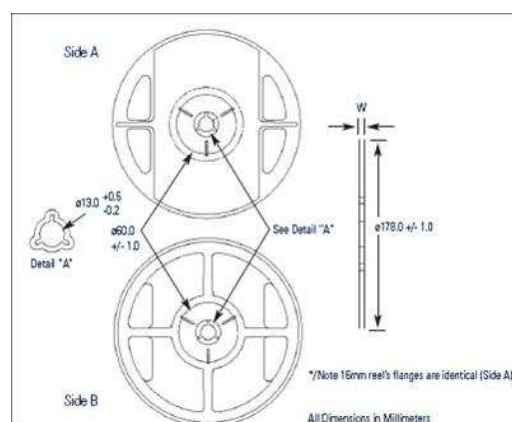


## Packaging

The sensors are packaged in a tape and reel for expedition.

The sensors are placed in a carrier type. The dimensions of the cavity are 5.5 x 7.5 x 2.55 mm (the tolerance is +/- 0.2 mm).

The outside dimension of the reel is either 178 +/- mm (for a maximum of 700 sensors) or 330 + 0.25 / -4 mm (for a maximum of 2000 sensors).



## IMPORTANT PRECAUTIONS:

Read the following instructions carefully before using the MiCS-6814 described here to avoid erroneous readings and to prevent the device from permanent damage.

- The sensor must be reflow soldered in a neutral atmosphere, without soldering flux vapours.
- The sensor must not be exposed to high concentrations of organic solvents, silicone vapours or cigarette-smoke in order to avoid poisoning the sensitive layer.
- Heater voltage above the specified maximum rating will destroy the sensor due to overheating.
- This sensor is to be placed in a filtered package that protects it against water and dust projections.
- SGX sensortech strongly recommends using ESD protection equipment to handle the sensor.

Whilst SGX sensortech has taken care to ensure the accuracy of the information contained herein it accepts no responsibility for the consequences of any use thereof and also reserves the right to change the specification of goods without notice. SGX sensortech accepts no liability beyond the set out in its standard conditions of sale in respect of infringement of third party patents arising from the use of tubes or other devices in accordance with information contained herein.

Headquarter Switzerland:  
Pewatron AG  
Thurgauerstrasse 66  
CH-8052 Zurich  
Phone +41 44 877 35 00  
info@pewatron.com

Office Germany:  
Pewatron AG  
Edisonstraße 16  
D-85716 Unterschleißheim  
Phone +49 89 260 38 47  
infode@pewatron.com



**PEWATRON**  
SENSORS · POWER SUPPLIES

## We are here for you. Addresses and Contacts.

### Sales Switzerland & Liechtenstein

Postcode 3000 – 9999

Basil Frei  
Pewatron AG  
Thurgauerstrasse 66  
CH-8052 Zurich

Phone +41 44 877 35 18  
Mobile +41 76 279 37 26

basil.frei@pewatron.com

Postcode 1000 – 2999

Eric Letsch  
Pewatron AG  
Thurgauerstrasse 66  
CH-8052 Zurich

Phone +41 44 877 35 14  
Mobile +41 76 491 66 70

eric.letsch@pewatron.com

### Sales International Key Accounts

Peter Felder  
Pewatron AG  
Thurgauerstrasse 66  
CH-8052 Zurich

Phone +41 44 877 35 05  
Mobile +41 79 406 49 83

peter.felder@pewatron.com

### Sales Germany

Postcode 00000 – 31999  
Postcode 38000 – 39999  
Postcode 80000 – 99999

Kurt Stritzelberger  
Pewatron AG  
Edisonstraße 16  
D-85716 Unterschleißheim

Phone +49 89 260 52 80  
Mobile +49 171 803 41 35

kurt.stritzelberger@pewatron.com

Postcode 32000 – 37999  
Postcode 40000 – 79999

Gerhard Vetter  
Pewatron AG  
Fürstenbergstraße 12  
D-55422 Bacharach-Medenscheid

Phone +49 674 394 75 75  
Mobile +49 163 762 74 30

gerhard.vetter@pewatron.com

### Sales Austria

Kurt Stritzelberger  
Pewatron AG  
Edisonstraße 16  
D-85716 Unterschleißheim

Phone +49 89 260 52 80  
Mobile +49 171 803 41 35

kurt.stritzelberger@pewatron.com

### Sales Other Countries / Product Management

#### Pressure Sensors

Philipp Kistler  
Phone +41 44 877 35 03  
philipp.kistler@pewatron.com

#### Accelerometers

Eric Letsch  
Phone +41 44 877 35 14  
eric.letsch@pewatron.com

#### Drive technology

CH Postcode 5000 – 9999 / DE

Roman Homa  
Mobile +41 79 444 00 86  
roman.homa@pewatron.com

#### Gas sensors / Gas sensor modules Load cells

Thomas Clausen  
Phone +41 44 877 35 13  
thomas.clausen@pewatron.com

#### Power supplies

Sebastiano Leggio  
Phone +41 44 877 35 06  
sebastiano.leggio@pewatron.com

#### Drive technology

CH Postcode 1000 – 4999 / AT / IT / FR

Christian Mohrenstecher  
Mobile +41 76 444 57 93  
christian.mohrenstecher@pewatron.com

#### Linear position sensors Angle sensors

Eric Letsch  
Phone +41 44 877 35 14  
eric.letsch@pewatron.com

#### Current sensors

Sebastiano Leggio  
Phone +41 44 877 35 06  
sebastiano.leggio@pewatron.com