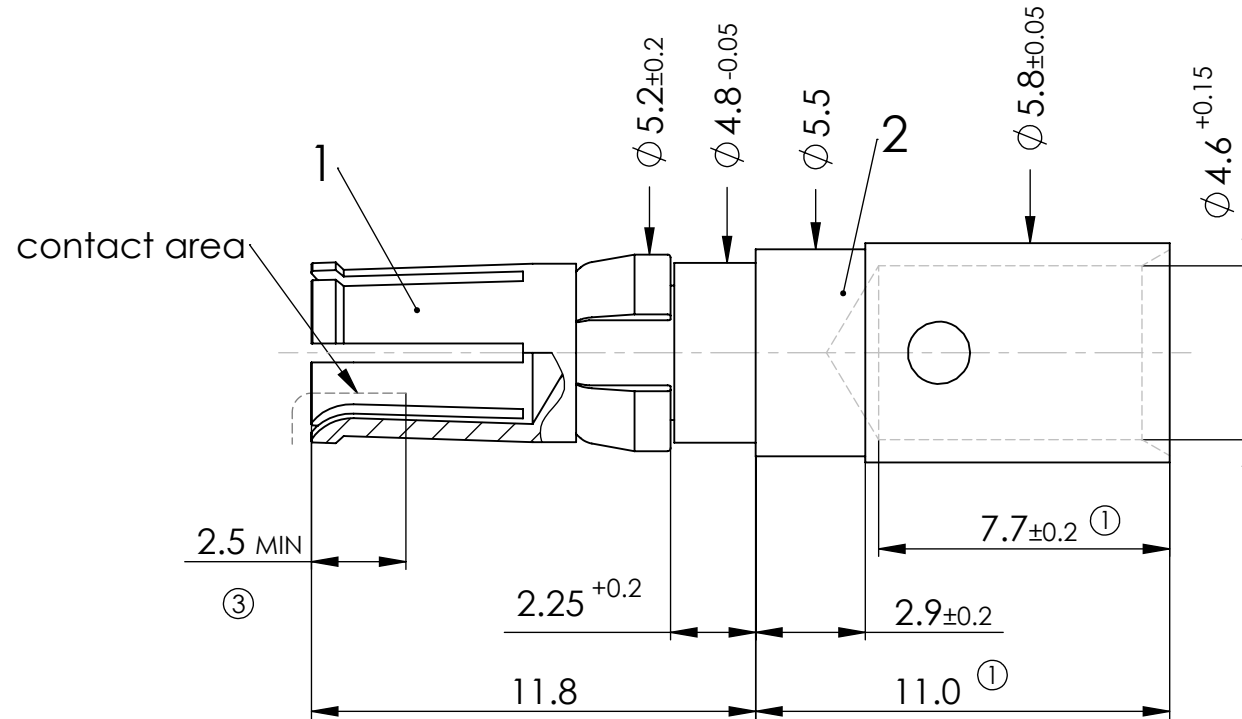
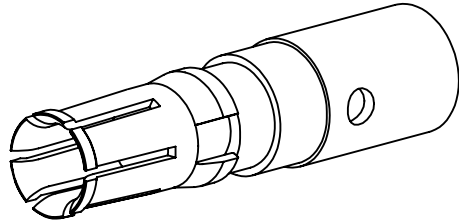


COMMENT:  
 ALL RIGHTS ARE RESERVED BY US FOR THIS DRAWING. WITHOUT OUR PRIOR CONSENT,  
 IT MAY NEITHER BE DUPLICATED NOR MADE AVAILABLE TO A THIRD PARTY,  
 AND IT ALSO MAY NOT BE IMPROPERLY USED BY THE RECEIVER, OR A THIRD PARTY.



Text No. W-4

**FCT tools:** (2)

Hand tool: M309

Pneumatic crimp tool: WA27-309

Die: SP994

Selector Number:

AWG 8 / SEL. 7 (4)

AWG 10 / SEL. 6

CURRENT		40 A	HIGH POWER CONTACT	SCALE 5:1	DATA SHEET (2)
FOR		D-Sub			
DIMENSIONS IN MM			DRAWN	NAME / DATE MSteinbrück 05-09-2003	
MATERIAL + FINISH SEE EXTRA SHEET			CHECKED	mteubel 07-01-2010	
UNLESS OTHERWISE SPECIFIED DIMENSIONS FOR REFERENCE ONLY					PART NO. FMP004S
4	07-01-2010	11621			REV. 4
REV.	DATE	INDEX	ORIGINAL: DIN A4-DRAWING AS A FILE		REPLACEMENT FOR: