

INTERCONNECTS

SERIES 451 • 2,54 GRID INTERCONNECT HEADERS • DOUBLE ROW STRIPS

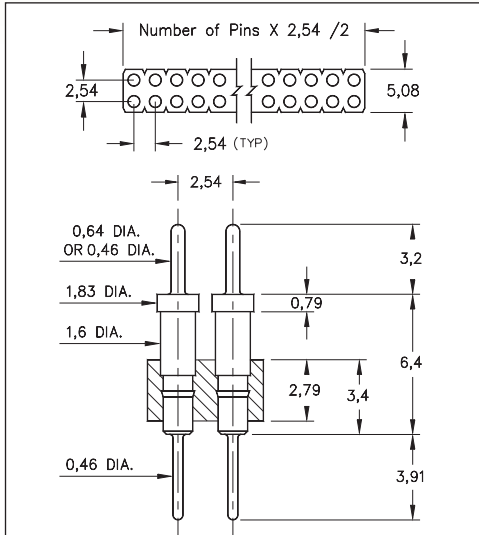


FIG. 1

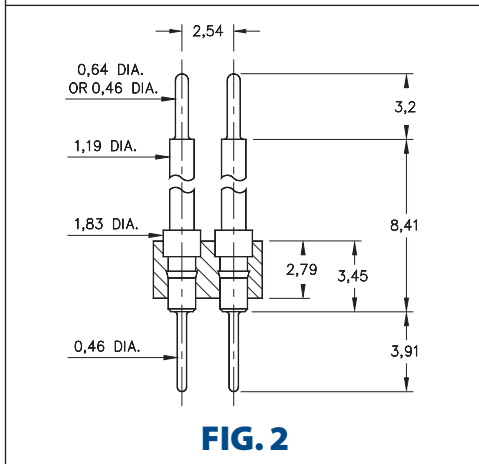


FIG. 2

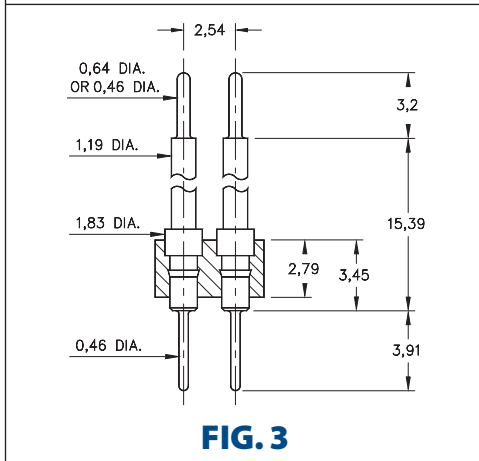
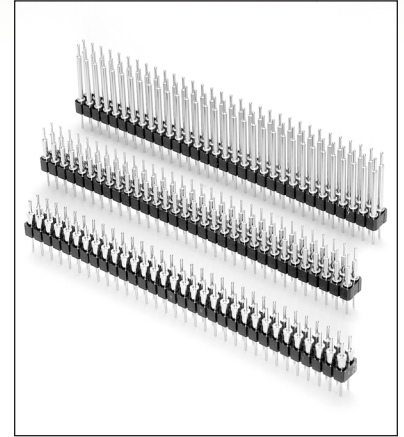







FIG. 3

- Series 451 interconnect header strips come in three lengths with 0,46 dia. pluggable solder tails at one end and 0,64 dia. pins at the other. Please see series:
451...003 uses pin #5503
451...004 uses pin #5504
451...005 uses pin #5505
- 0,46 pluggable solder tails are available at both ends. Please see series:
451...009 uses pin #5509
451...010 uses pin #5510
451...011 uses pin #5511
See pages 212 and 214 for details
- Insulators are high temperature thermoplastic, suitable for all soldering operations



ORDERING INFORMATION

FIG. 1	Series 451...003	0,46 / 0,64 Dia. Solder Tails
	451-10-2- <u> </u> -00-003000	↑ Specify number of pins 04-64
FIG. 2	Series 451...009	0,46 / 0,46 Dia. Solder Tails
	451-10-2- <u> </u> -00-009000	↑ Specify number of pins 04-64
FIG. 2	Series 451...004	0,46 / 0,64 Dia. Solder Tails
	451-10-2- <u> </u> -00-004000	↑ Specify number of pins 04-64
FIG. 3	Series 451...010	0,46 / 0,46 Dia. Solder Tails
	451-10-2- <u> </u> -00-010000	↑ Specify number of pins 04-64
FIG. 3	Series 451...005	0,46 / 0,64 Dia. Solder Tails
	451-10-2- <u> </u> -00-005000	↑ Specify number of pins 04-64
FIG. 3	Series 451...011	0,46 / 0,46 Dia. Solder Tails
	451-10-2- <u> </u> -00-011000	↑ Specify number of pins 04-64
  		
SPECIFY PLATING CODE XX=	10 	
Pin Plating 	0,25µm Au	