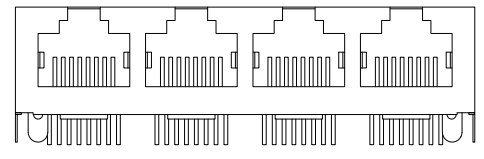
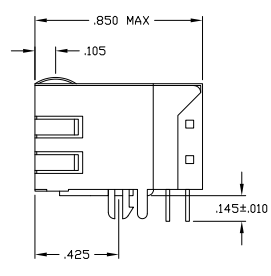
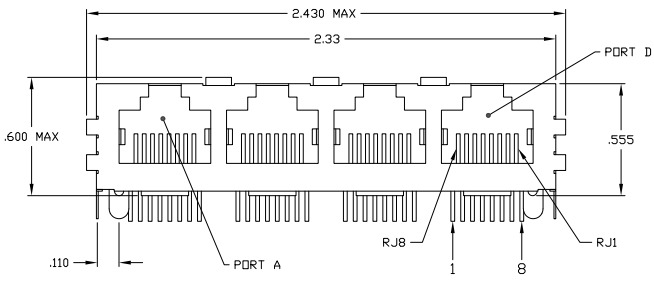
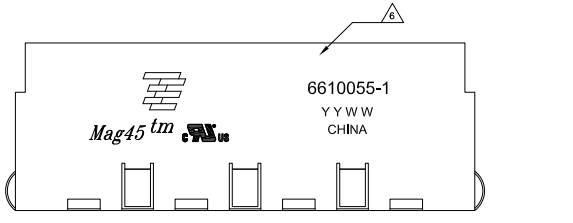
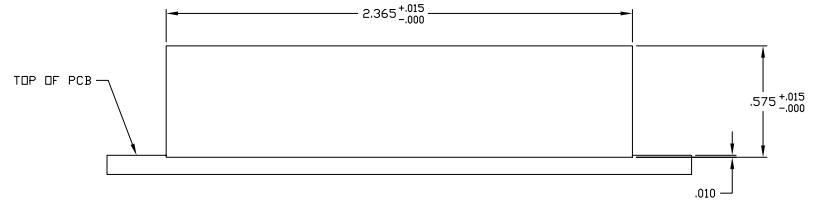


REV	DATE	DESCRIPTION	BY	CHK	APP
AA	22				
B	ECO-08-030952		21NOV2008	VL	LR
B1	REVISED PER ECO-08-024927		09NOV2008	KK	AEG

MECHANICAL:



P/N 6610055-3 SHOWN
NO PANEL GROUNDS



1X4 SUGGESTED PANEL CUTOUT

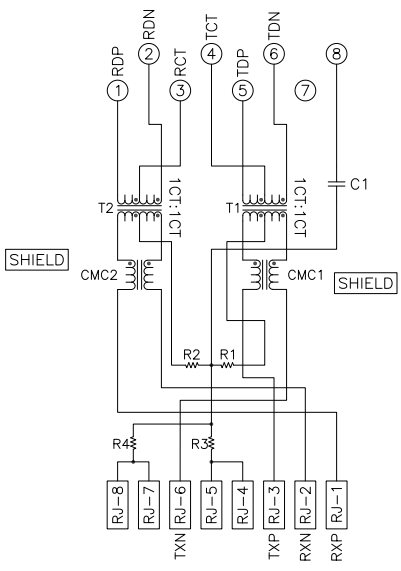
- △ MATERIALS:
 - HOUSING - THERMOPLASTIC PET POLYESTER FLAMMABILITY RATING UL 94V-0
 - SHIELD - .010" THICK, C26800 BRASS PREPLATED WITH 30μINCH MIN SEMI-BRIGHT NICKEL
 - SOLDER TABS POST DIPPED WITH 100μINCH MIN SAC SOLDER
 - MOD JACK CONTACTS - 0.0157 X 0.018" PHOSPHOR BRONZE, 50μINCH MIN OVERALL NICKEL UNDERPLATE WITH SELECT 50μINCH MIN HARD GOLD FINISH PLATE. SOLDER TAILS WITH 100μINCH MIN MATTE TIN AND/OR SAC SOLDER DIP.
- △ RJ45 JACK CAVITY CONFORMS TO FCC RULES AND REGULATIONS PART 68, SUB PART F.
- △ MAGNETICS
 - IMPEDANCE: 100 OHMS
 - TURNS RATIO (CHIP-CABLE): TX = 11, RX = 11
 - OPEN CIRCUIT INDUCTANCE (OCLL) 350μH MIN @100kHz, 0.1VRMS,
 - 8mADC BIAS FROM 0°C TO 70°C, TX AND RX
 - PERFORMANCE @ 25°C:
 - INSERTION LOSS (IL): 1.1dB MAX FROM 0.5MHz TO 100MHz
 - RETURN LOSS (RL): 18dB MIN FROM 0.5MHz TO 30MHz
 - 18-20LOG(f/30)dB MIN FROM 30 MHz TO 60MHz
 - 12dB MIN FROM 60.1MHz TO 80MHz
 - CROSSTALK ATTENUATION: 35dB MIN FROM 0.5MHz TO 40MHz
 - 33-20*LOG(f/50)dB MIN FROM 40.1MHz TO 100MHz
 - COMMON MODE REJECTION RATIO (CMRR): 30dB MIN FROM 0.5MHz TO 100MHz
 - ISOLATION VOLTAGE: COMPLIES WITH IEEE802.3 2002, PARA 23.5.1.1, ITEM b.
- 4 OPERATING TEMPERATURE: FROM 0°C TO +70°C
- △ INDICATED CONNECTIONS ARE FOR HUB CONFIGURATION. THE MAGNETICS ARE SYMMETRICAL, AND SUPPORT AUTO-MDIX/MOIX.
- △ TYCO ELECTRONICS LOGO, PART NUMBER, DATE CODE, COUNTRY OF ORIGIN AND AGENCY APPROVAL MARKING IN APPROXIMATE LOCATION SHOWN.
- 7 THESE PARTS ARE RECOMMENDED FOR WAVE SOLDERING PROCESS, PREHEAT TEMPERATURE IS 120°C TO 160°C, 120 SECONDS TO 180 SECONDS, PEAK WAVE SOLDERING TEMPERATURE IS 260°C MAX, 10 SECONDS MAX.
- △ OBSOLETE PARTS: OBSOLETE CIS STREAMLINING PER D.RENAUD/D.SINISI

△ OBSOLETE	0	6610055-3
	7	6610055-1
		PANEL GROUND TABS
		PART NUMBER

THIS DRAWING IS A CONTROLLED DOCUMENT.		REV	DATE	DESCRIPTION	BY	CHK	APP
1	10B-2100			1X4 MAG45(TM) MODULAR JACK, 7K1 SCHEMATIC, 768K1 SERIES CIRCUIT, SHIELDED, OPTIONAL PANEL GROUND TABS, DECOUPLING CAPACITOR, NO LEADS			
DATE	ISSUE	REV	DATE	DESCRIPTION	BY	CHK	APP
CUSTOMER DRAWING		REV	DATE	DESCRIPTION	BY	CHK	APP

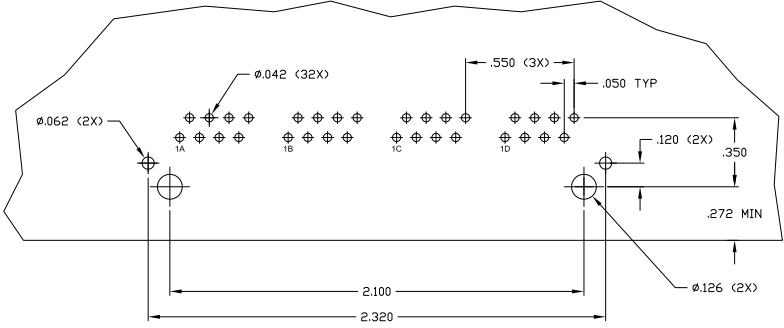
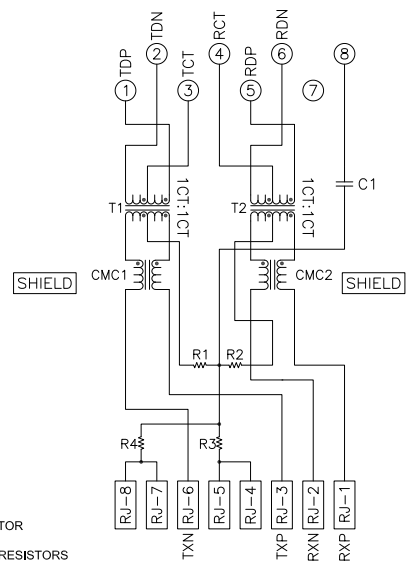
ELECTRICAL:

766K1 SERIES MAGNETIC CIRCUIT Δ/Δ
 PORTS A & C

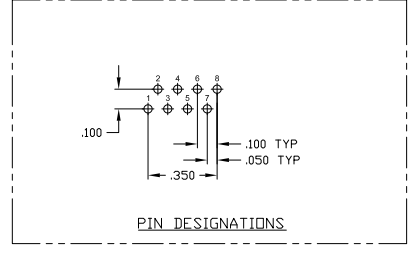


C1 = 1000 pF, 2kV CAPACITOR
 R1-R4 = 75 OHMS, 1/16 W RESISTORS

766K1 SERIES MAGNETIC CIRCUIT Δ/Δ
 PORTS B & D



SUGGESTED PCB LAYOUT
 (Component Side)



THIS DRAWING IS A CONTROLLED DOCUMENT.		DATE	BY	REVISION
DRAWN BY: [Signature]		10B-2100	10B-2100	10B-2100
CHECKED BY: [Signature]		10B-2100	10B-2100	10B-2100
APPROVED BY: [Signature]		10B-2100	10B-2100	10B-2100
CUSTOMER DRAWING		A100779	G=6610055	REV 2