

# SPECIFICATIONS

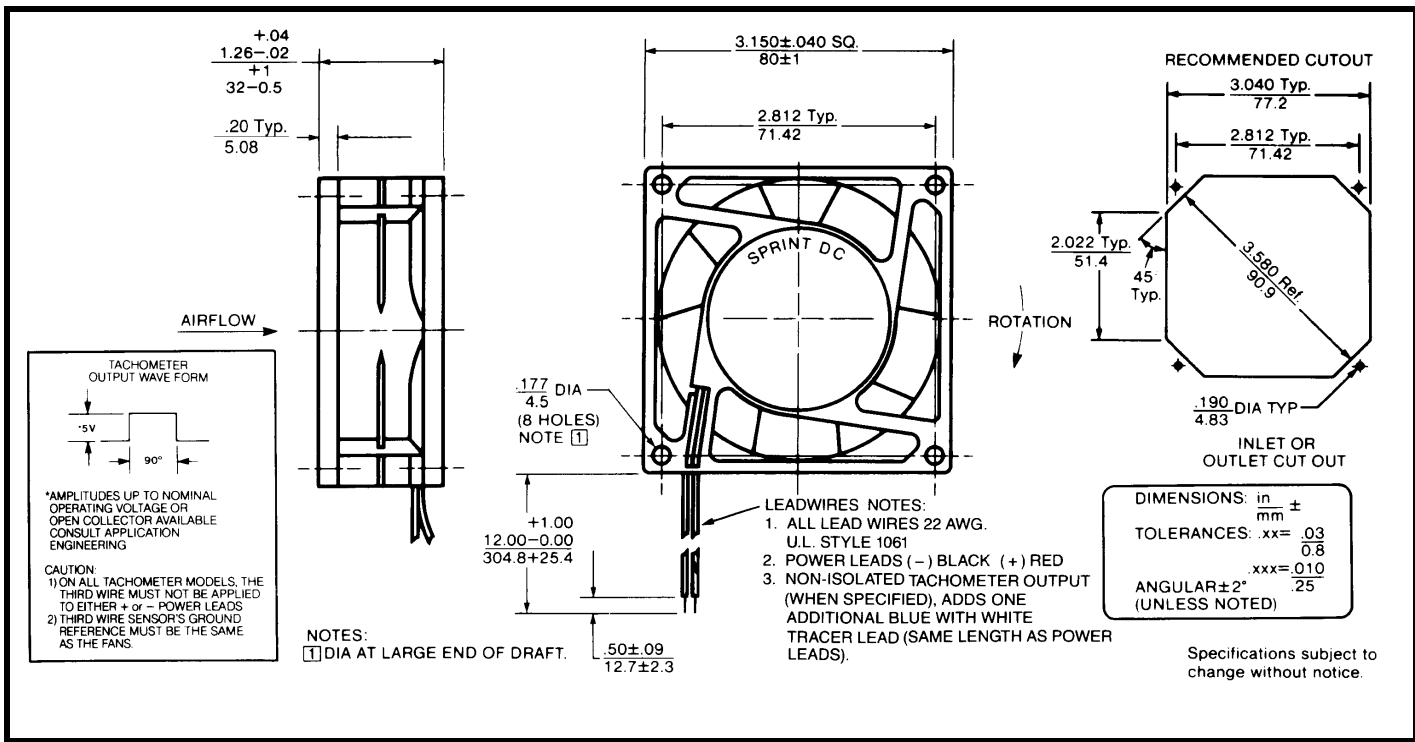
(RoHS Compliant)



**Model Number:** ST24Z3  
**Part Number:** 19032556A  
**SPEC Number:** 26013978A01

Feb 1, 2013

## Mechanical Drawing:



### Motor:

Nominal Voltage = 24 vdc  
 Operating Voltage Range = 12 - 28 vdc  
 Nominal Running Current = 0.260 amps  
 Max. Locked Rotor Current = 1.130 amps  
 Running Power = 6.7 watts  
 Average Speed = 4700 RPM  
 Bearings = Ball  
 Air Flow = 45 CFM  
 Acoustic: = 51.5 dBA

### Construction:

Venturi: Plastic, Black, UL 94V-0.  
 Propeller: Plastic, Black, UL 94V-0

### Life Expectancy:

This fan is designed for continuous duty life of 78,000 hours at 40°C.

### Additional Features:

Brushless DC motor  
 Locked Rotor Protection  
 Polarity Protected  
 Automatic Restart Capability  
 Operating Temperature: -10°C to 70°C  
 Storage Temperature: -40°C to 85°C

### Termination:

12" Lead wires, 22 AWG, UL 1061  
 Red = Power (+)  
 Black = Return (-)

### Agency Approvals:

UL, CE