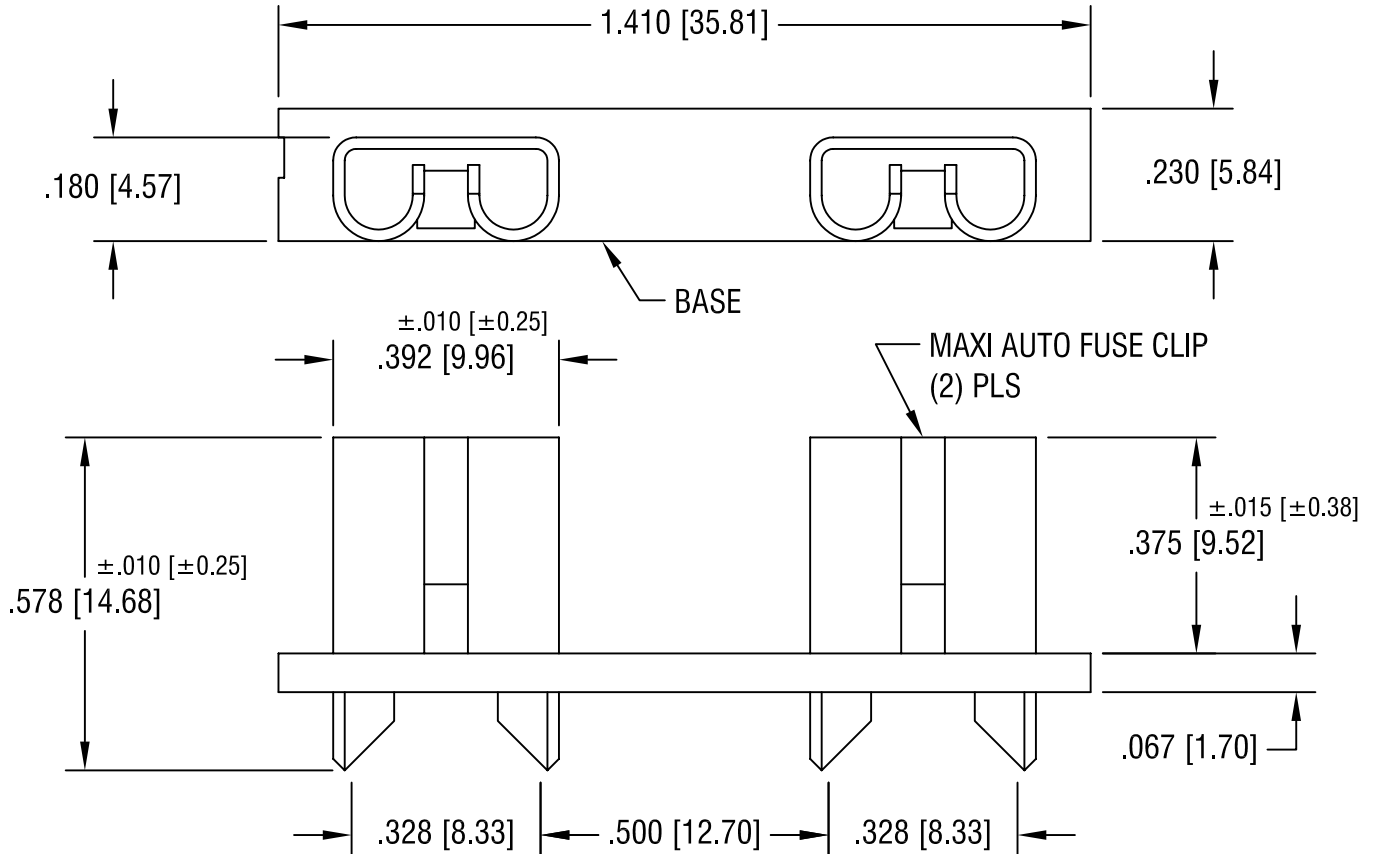
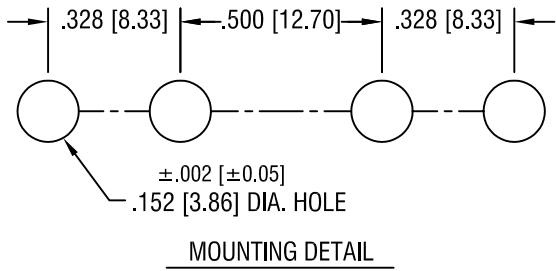


THIS DOCUMENT IS THE PROPERTY OF  
KEYSTONE ELECTRONICS CORP. AND  
SHALL NOT BE REPRODUCED, DISTRIBUTED  
OR USED AS A BASIS FOR MANUFACTURE  
WITHOUT PRIOR WRITTEN PERMISSION  
FROM KEYSTONE ELECTRONICS CORP.



**NOTE:**

CLIP: .020 [0.50] TH'K COPPER, TIN NICKEL PLATE  
BASE: MAT'L: GLASS FILLED NYLON, UL 94V-0

<b>KEYSTONE ELECTRONICS CORP.</b>			
ASTORIA, N.Y. 11105-2017			
PART NAME			
MAXI PC AUTO-FUSE SOCKET			
MATERIAL			
AS NOTED			
FINISH		DRN BY	DATE
AS NOTED		BOONE	10.24.06
		APP'D	SCALE
		LN	3X
TOLERANCES		DWG NO.	
INCH	[MM]	<b>3555-2</b>	
DECIMAL	±.005 [±0.15]		
ANGULAR	± 1°		
UNLESS OTHERWISE SPECIFIED		CODE	
		C	

DATE	DESCRIPTION	REV.