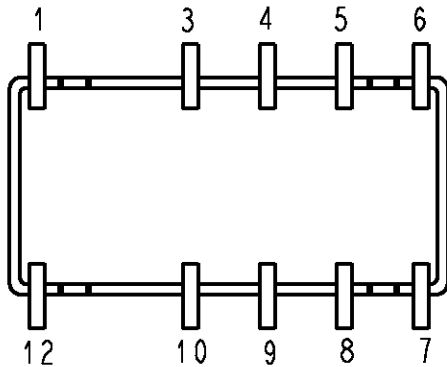
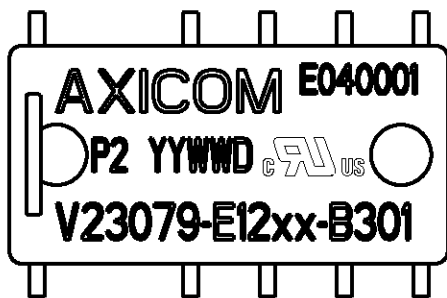
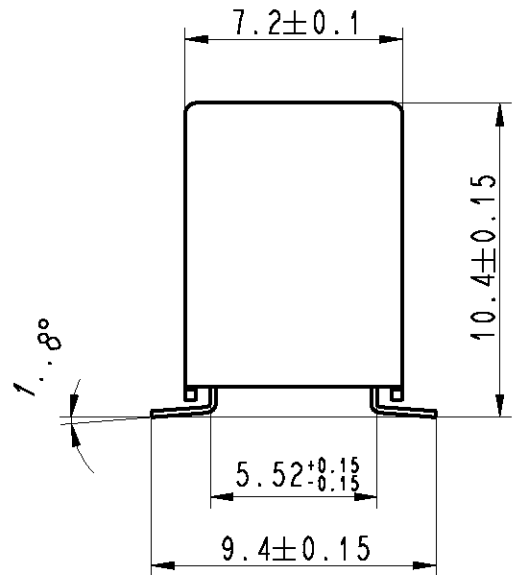
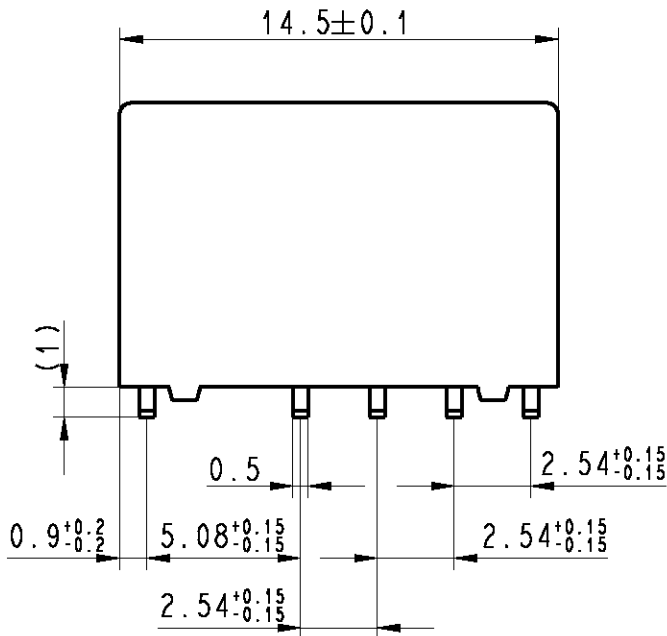


LOC	DIST	REVISIONS					
HJ	-	P	LTR	DESCRIPTION	DATE	DWN	APVD
		C2		REVISED PER ECO-11-005150	25MAR11	RK	HMR



Relay - bottom view



xx = Relay type  
YYWW = Date code

DRAWING ALIAS C23303-A079-A004

RELEASED FOR PUBLICATION

ALL RIGHTS RESERVED.

THIS DRAWING IS UNPUBLISHED.

BY -  
© COPYRIGHT

DIMENSIONS: mm	DWN	Korytak	02Jun2004	MATERIAL	-	FINISH	-
	CHK	Korytak	02Jun2004				
TOLERANCES UNLESS OTHERWISE SPECIFIED: DIN 7168-m	APVD	Korytak	02Jun2004				
0 PLC ±-	PRODUCT SPEC	NAME					
1 PLC ±	-	P2-Relay SMT W					
2 PLC ±	APPLICATION SPEC	Dimensions					
3 PLC ±	-	SIZE	CAGE CODE	DRAWING NO	RESTRICTED TO		
4 PLC ±	WEIGHT	A4	00779	C-1393788-7	-		
ANGLES ±-	-	CUSTOMER DRAWING				SCALE	4:1
	-					SHEET	1 OF 1
						REV	C2