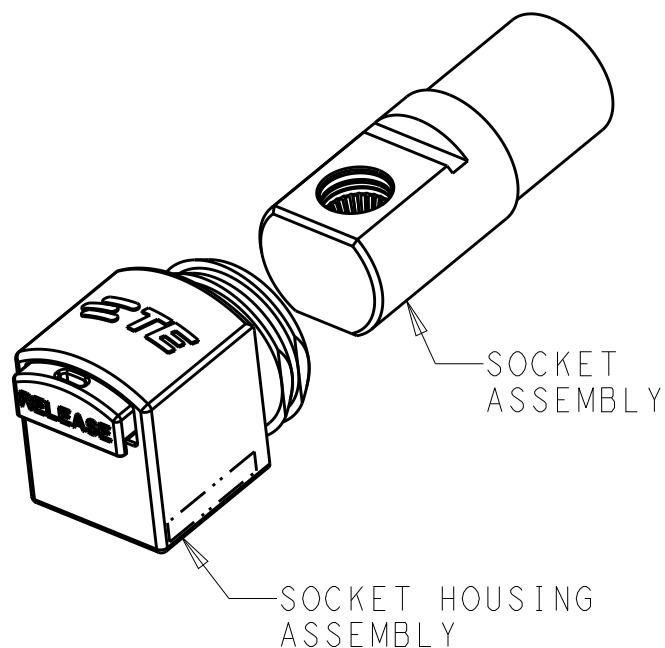


REVISIONS

P	LTR	DESCRIPTION	DATE	DWN	APVD
C		REV PER ECO 17-001628	2-13-17	CT	PD

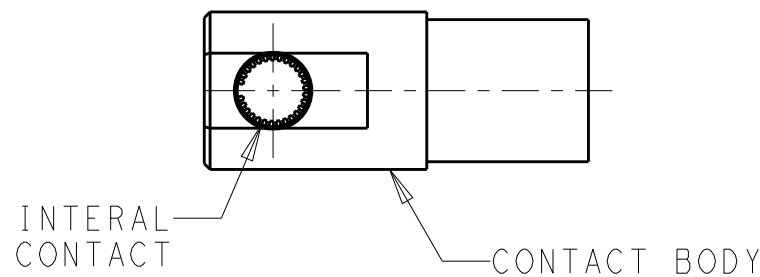
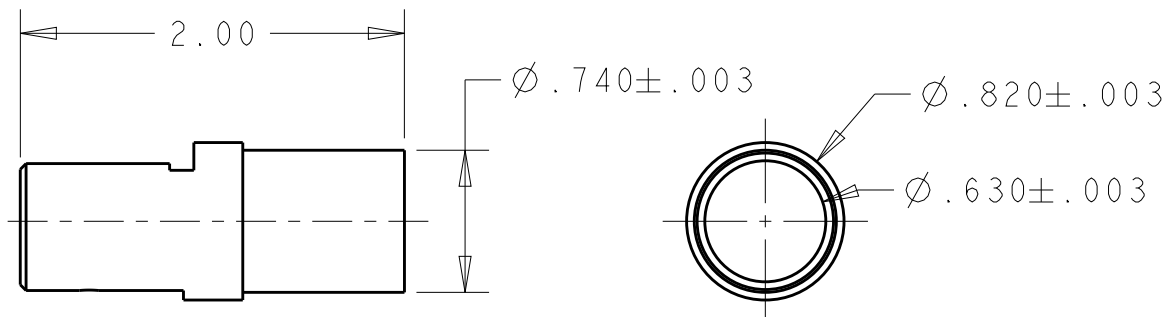
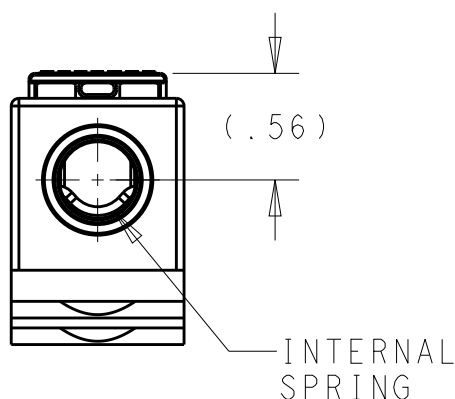
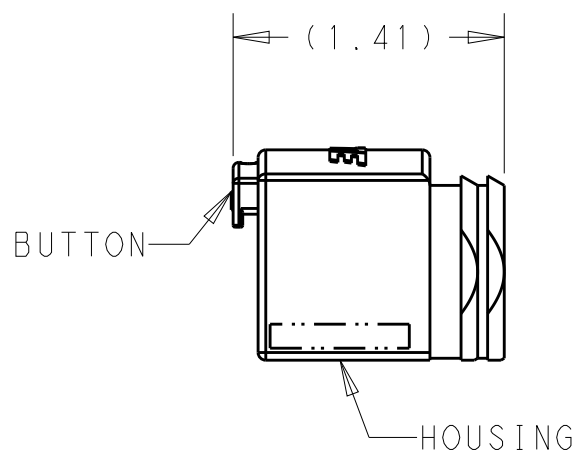
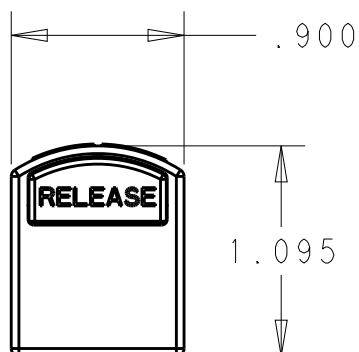


1 MATERIAL:
 HOUSING: THERMOPLASTIC, COLOR: PER TABLE
 BUTTON: THERMOPLASTIC, COLOR: BLACK
 INTERNAL CONTACT AND CONTACT BODY: COPPER ALLOY
 INTERNAL SPRING: STAINLESS STEEL

2 FINISH:
 INTERNAL CONTACT: SILVER OVER NICKEL
 CONTACT BODY: TIN OVER NICKEL

3 DO NOT ASSEMBLE SOCKET HOUSING ASSEMBLY ONTO SOCKET CONTACT ASSEMBLY UNTIL WIRE IS CRIMPED ONTO SOCKET CONTACT ASSEMBLY.

4. KIT WILL CONTAIN:
 1 SOCKET ASSEMBLY
 1 SOCKET HOUSING ASSEMBLY



BLACK	2828522-8
RED	2828522-7
BLUE	2828522-6
YELLOW	2828522-5
HOUSING COLOR	PART NUMBER

THIS DRAWING IS A CONTROLLED DOCUMENT.		DWN K. MILLER 24JUN2015	TE Connectivity	
DIMENSIONS: INCHES		CHK L. OH 24JUN2015		
TOLERANCES UNLESS OTHERWISE SPECIFIED:		APVD J. FULPONT 24JUN2015	NAME KIT, SNAP-LUG, 3/0	
0 PLC ±- 1 PLC ±- 2 PLC ±.01 3 PLC ±.005 4 PLC ±- ANGLES ±-		PRODUCT SPEC 108-32083	RESTRICTED TO	
MATERIAL		APPLICATION SPEC 114-32130	SIZE A3	CAGE CODE 00779
FINISH		WEIGHT .158 lbs	DRAWING NO C-2828522	SCALE 1:1
1 2		CUSTOMER DRAWING	SHEET 1 OF 1	REV C