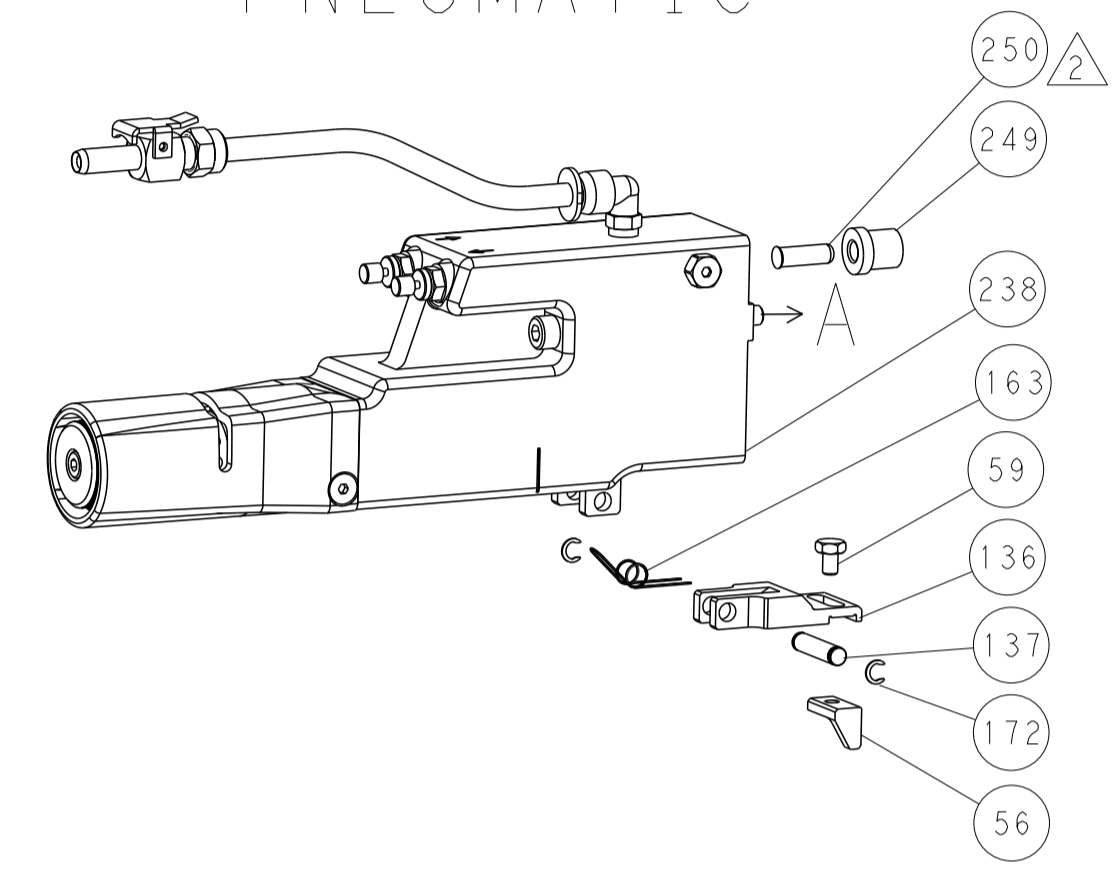
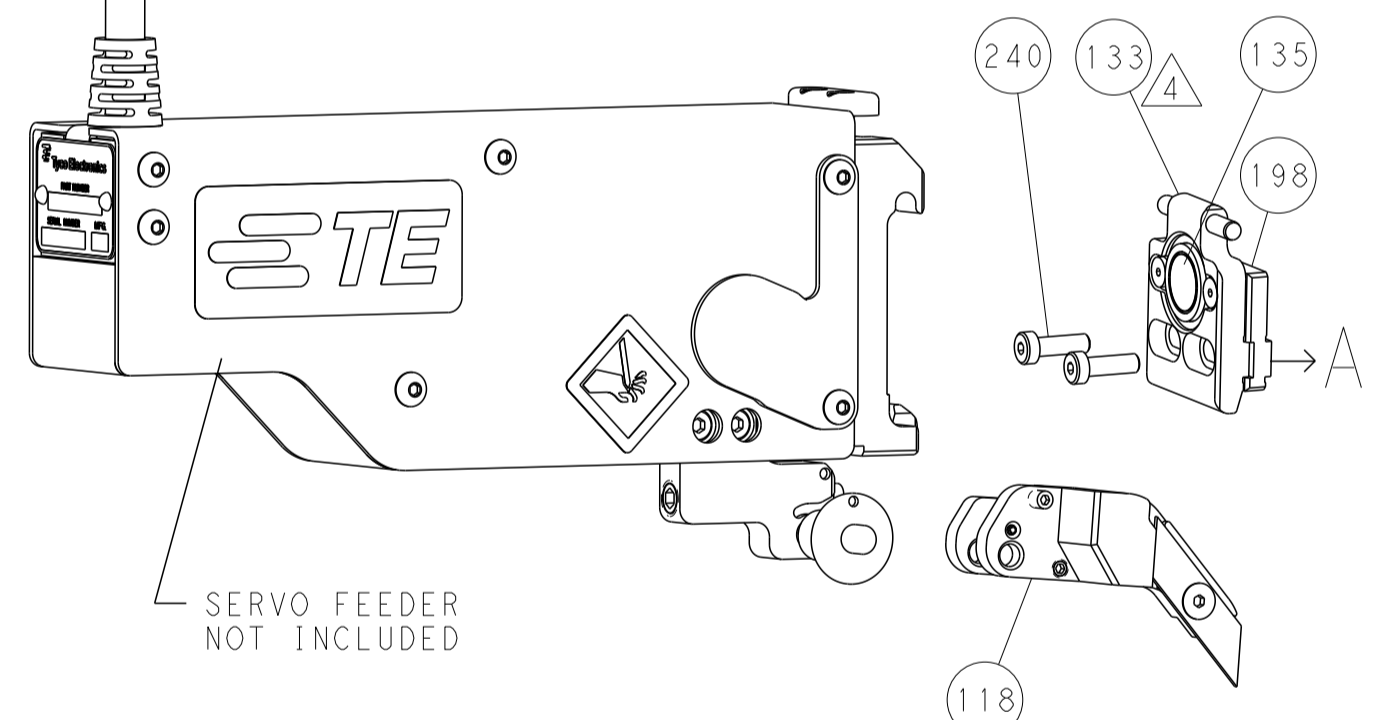


LOC	DIST	REVISIONS					
A	66	P	LTH	DESCRIPTION	DATE	DWN	APVD
		-	-	SEE SHEET 1	-	-	-

FEED TYPE PNEUMATIC

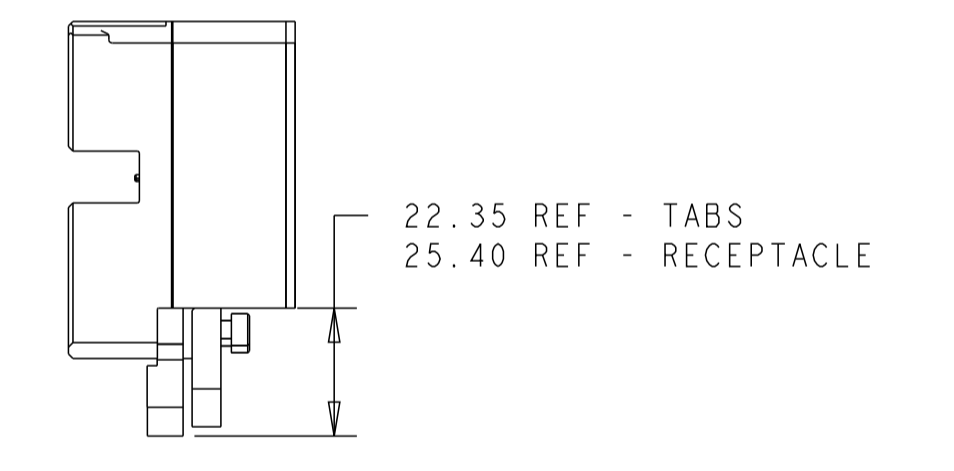
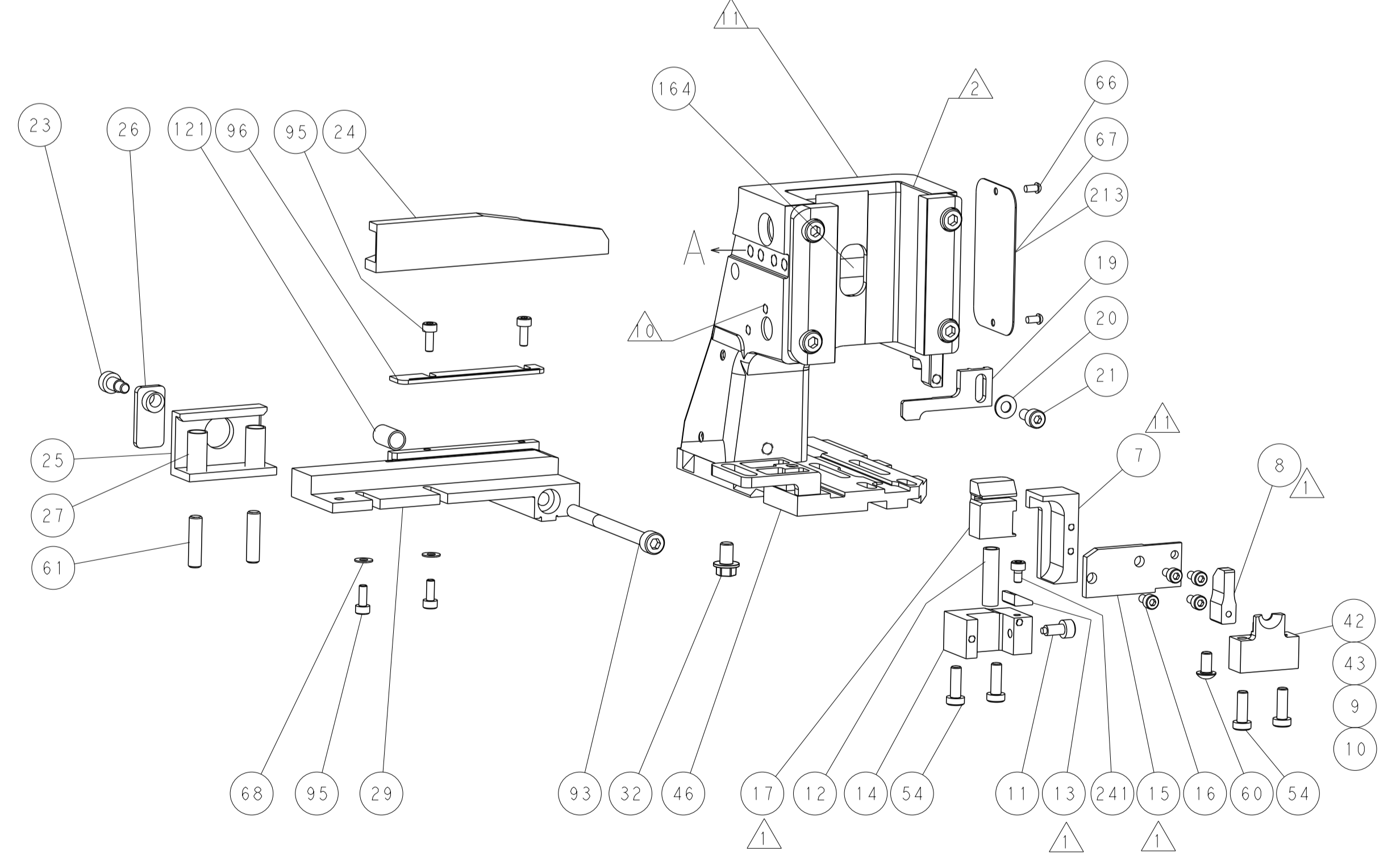
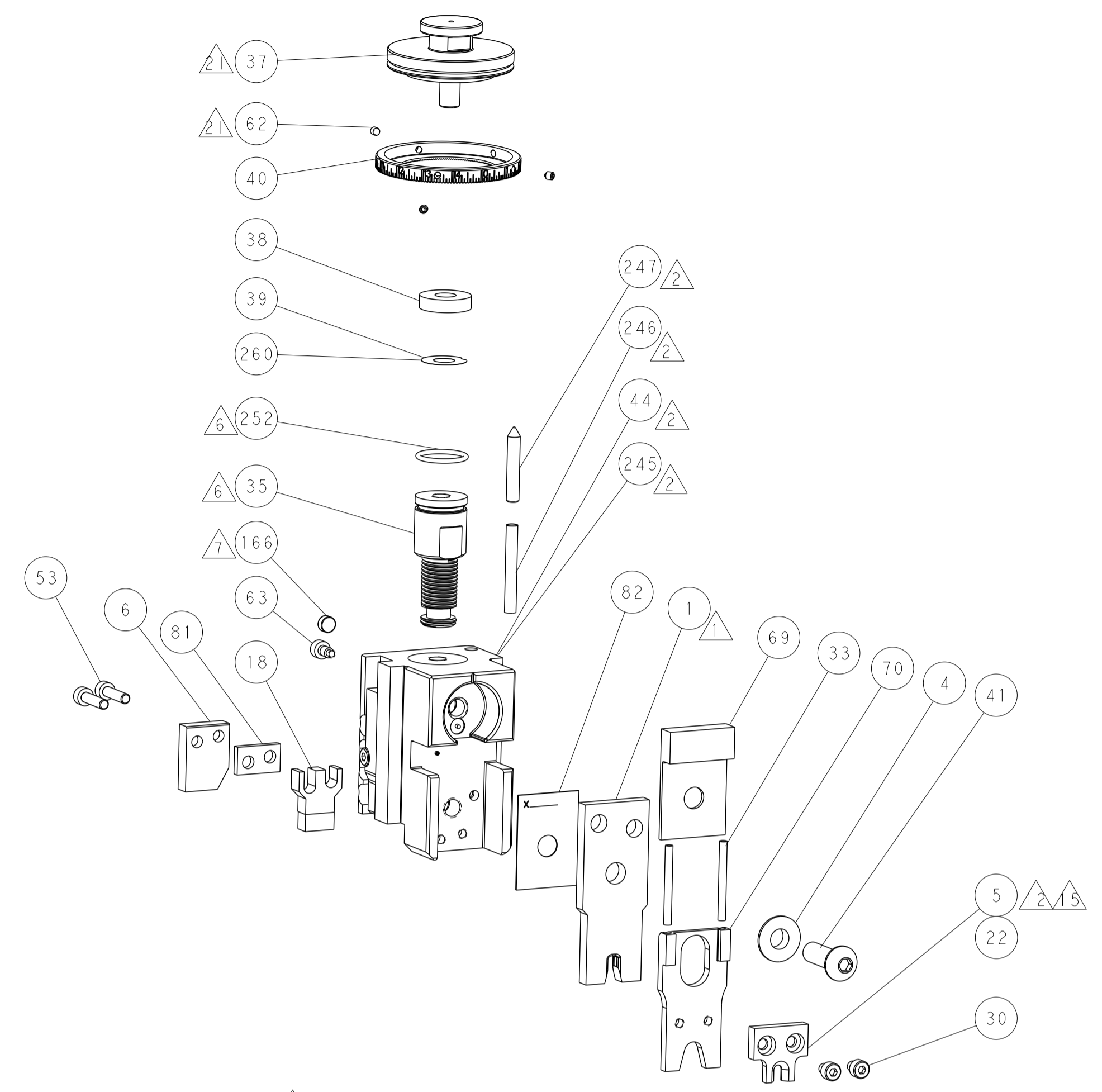
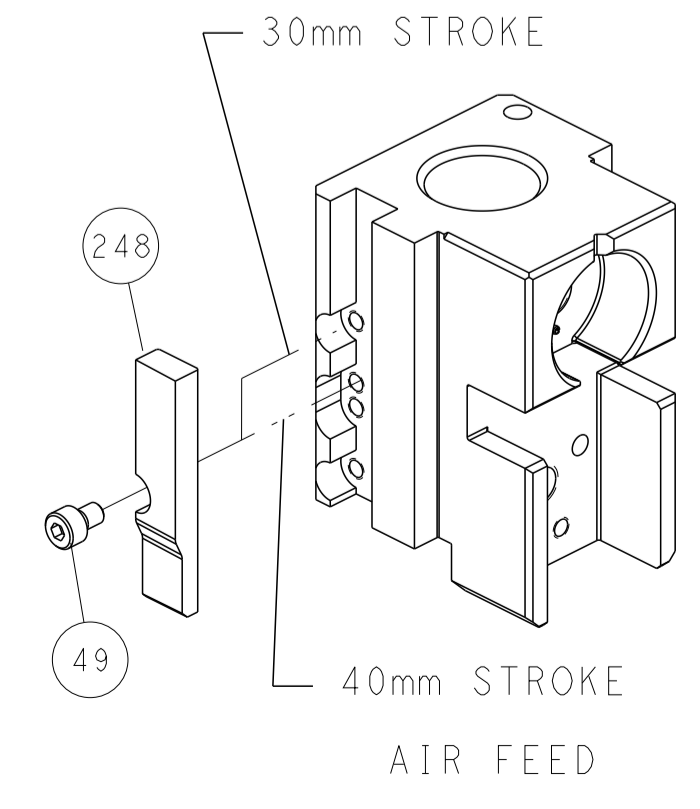


SERVO LATCH PLATE

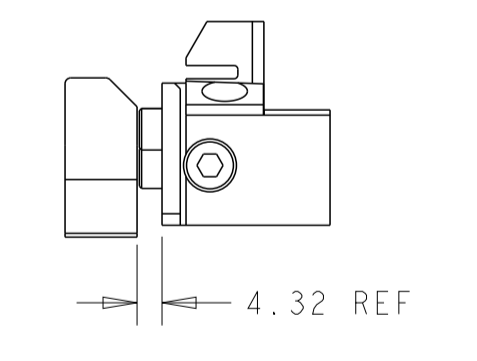


***FEED FINGER REPRESENTATION ABOVE MAY DIFFER FROM ACTUAL FEED FINGER THAT IS REQUIRED BY THIS APPLICATOR

CAM POSITIONS



HOLDDOWN SET-UP



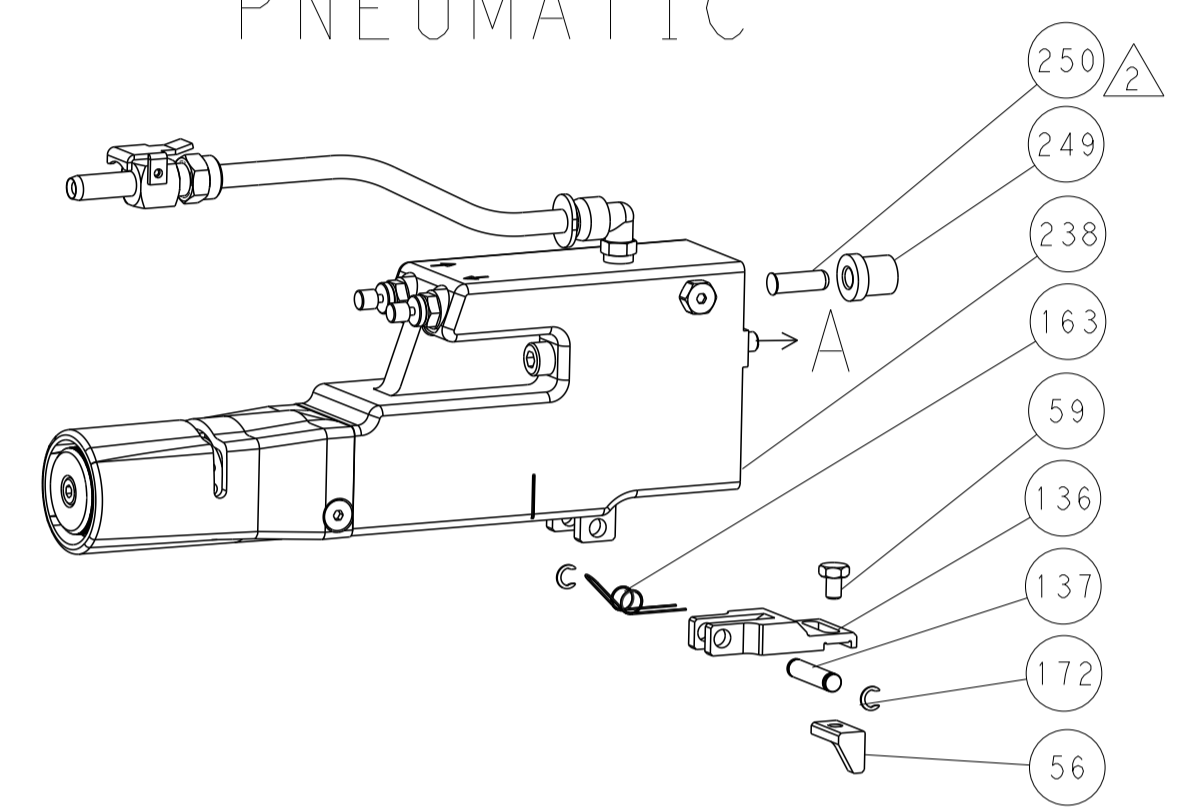
LOWER TOOLING SET-UP

ATLANTIC VERSION
 Shown on sheets 1 of 4 & 2 of 4
 (Pacific version shown on sheets 3 of 4 & 4 of 4)

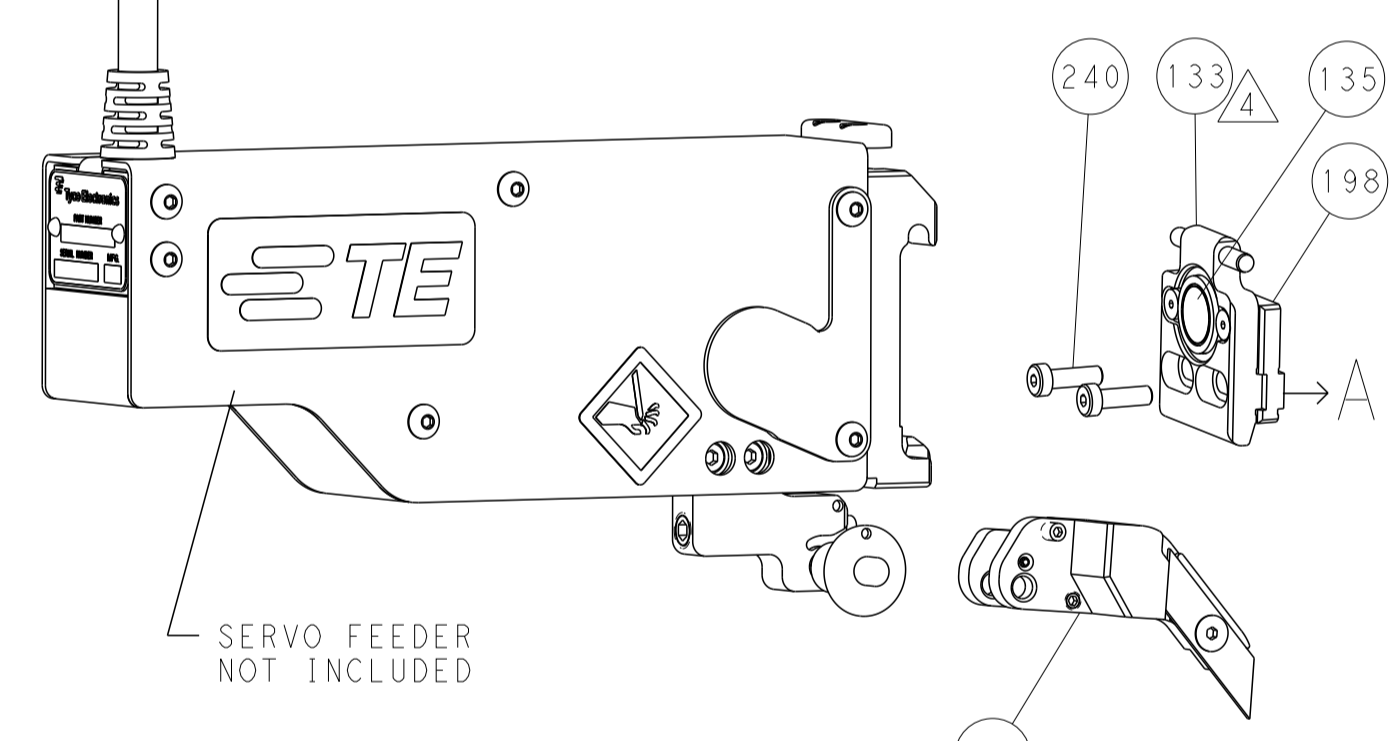
<small>THIS DRAWING IS UNPUBLISHED. RELEASED FOR PUBLICATION 2011 BY TYCO ELECTRONICS CORPORATION. ALL RIGHTS RESERVED.</small>		DWN: B. WEAVER 21OCT2011 CHK: G. HOFENER 21OCT2011 APVD: T. ELBIN 21OCT2011	NAME: OCEAN SIDE FEED APPLICATOR SIZE: A1 CAGE CODE: 00779 DRAWING NO: C=2151034	RESTRICTED TO: - SCALE: 1:1 SHEET: 2 OF 4 REV: E
DIMENSIONS: mm TOLERANCES UNLESS OTHERWISE SPECIFIED: 0 PLC ± 1 PLC ± 2 PLC ± 3 PLC ± 4 PLC ± ANGLES ± MATERIAL: - FINISH: -	TOLERANCES UNLESS OTHERWISE SPECIFIED: 0 PLC ± 1 PLC ± 2 PLC ± 3 PLC ± 4 PLC ± ANGLES ± MATERIAL: - FINISH: -	WEIGHT: - SCALE: 1:1 SHEET: 2 OF 4 REV: E	CUSTOMER ACCESSIBLE PRODUCTION DRAWING	SHEETS 3 & 4 ARE NOT REQUIRED FOR ATLANTIC VERSION

LOC	DIST	REVISIONS					
A	66	P	LTH	DESCRIPTION	DATE	DWN	APVD
		-	-	SEE SHEET 1	-	-	-

FEED TYPE PNEUMATIC

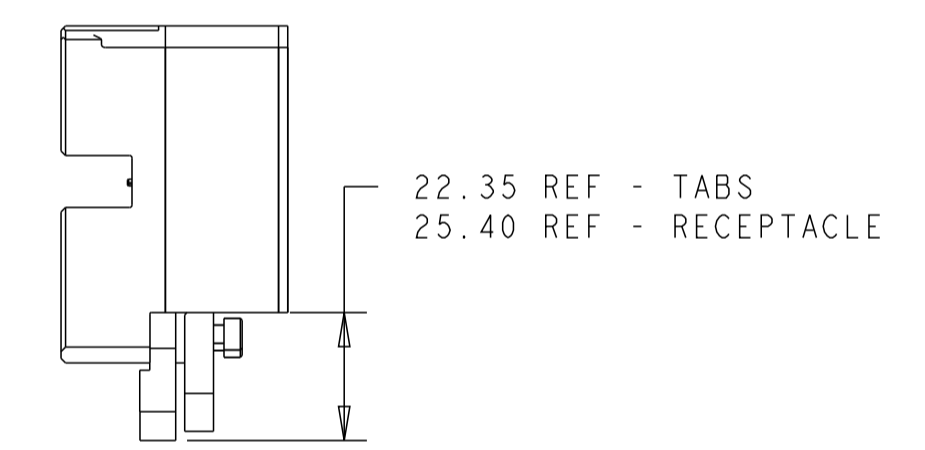
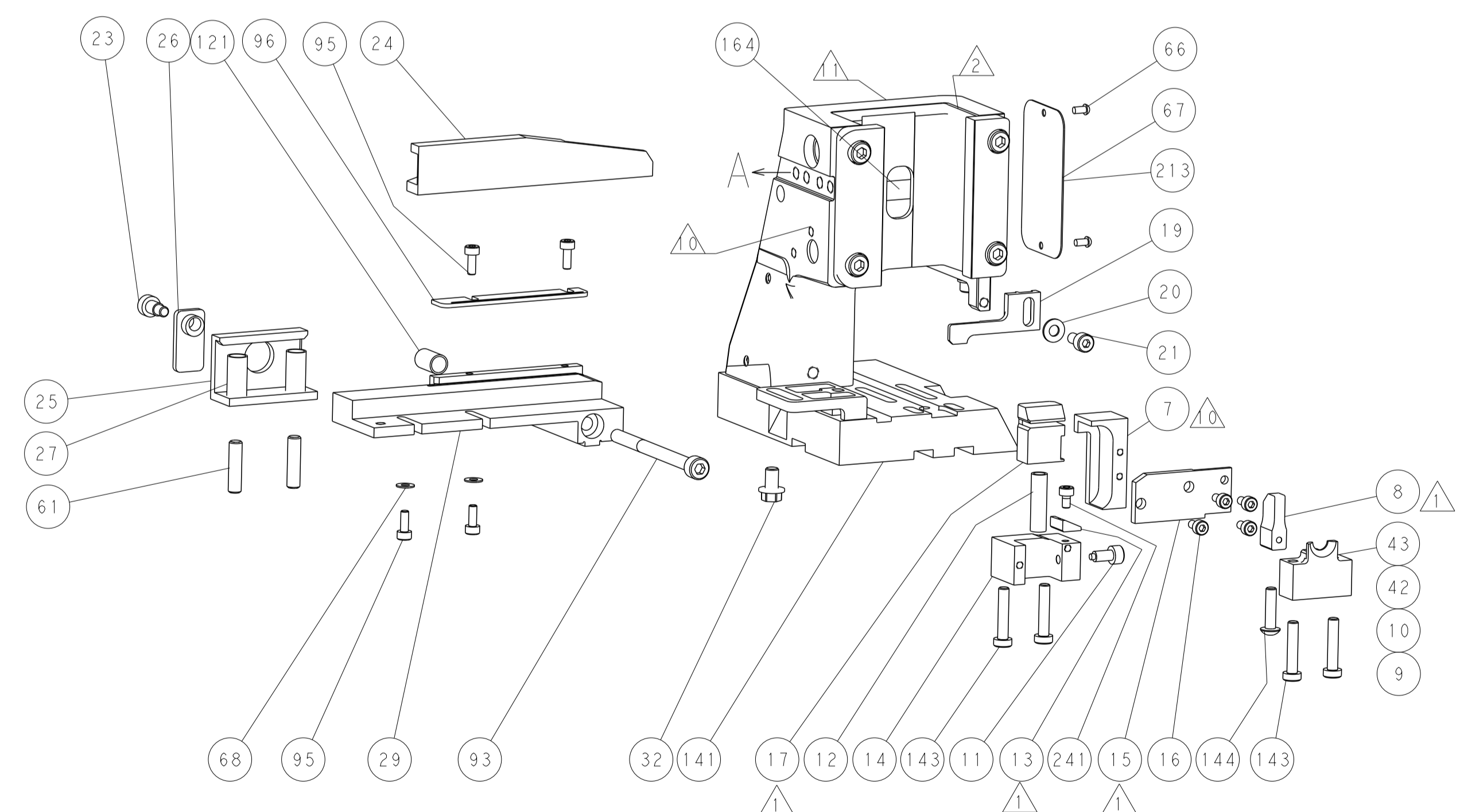
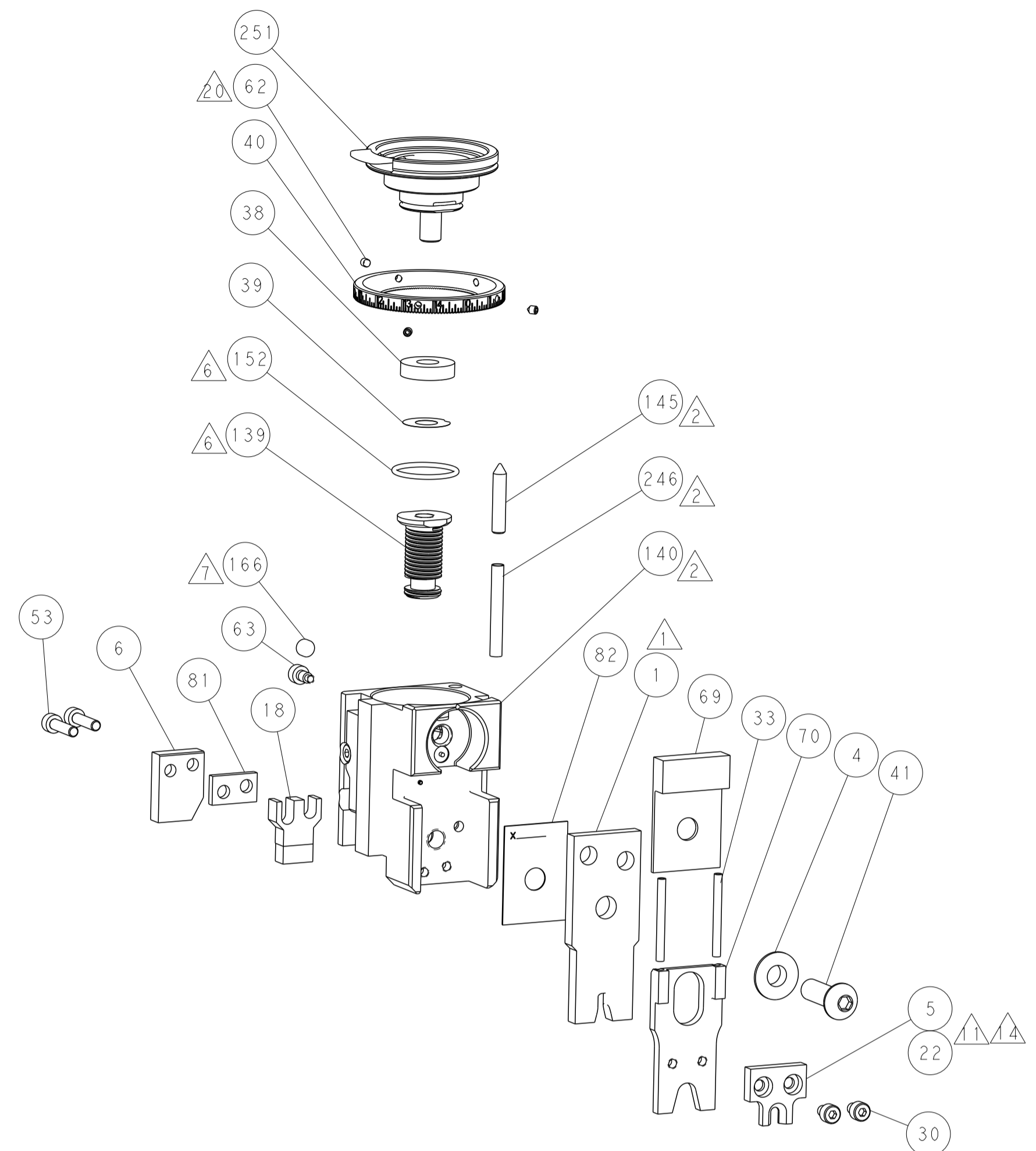
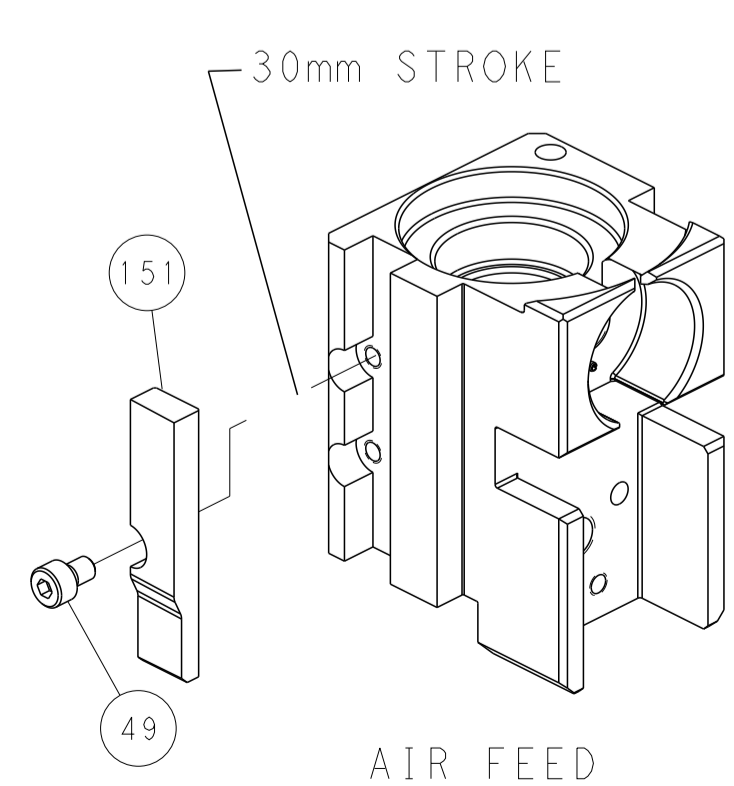


SERVO LATCH PLATE

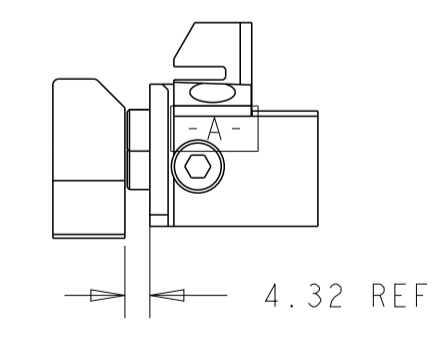


***FEED FINGER REPRESENTATION ABOVE MAY DIFFER FROM ACTUAL FEED FINGER THAT IS REQUIRED BY THIS APPLICATOR

CAM POSITION



HOLDDOWN SET-UP



LOWER TOOLING SET-UP

PACIFIC VERSION
 Shown on sheets 3 of 4 & 4 of 4
 (Atlantic version shown on sheets 1 of 4 & 2 of 4)

DIMENSIONS:		TOLERANCES UNLESS OTHERWISE SPECIFIED:		DWN B. WEAVER 21OCT2011		STE TE Connectivity	
mm	0 PLC ±	1 PLC ±	2 PLC ±	3 PLC ±	4 PLC ±	5 PLC ±	Harrisburg, PA 17105-3608
	ANGLES ±	FINISH ±		CHK G. HOFENER 21OCT2011	NAME OCEAN SIDE FEED APPLICATOR		
MATERIAL				APVD T. ELBIN 21OCT2011	PRODUCT SPEC	APPLICATION SPEC	RESTRICTED TO
				SIZE CAGE CODE DRAWING NO	WEIGHT	SCALE 1:1	SHEET 4 OF 4 REV E
				Customer Accessible Production Drawing	A1 00779 ©=2151034		