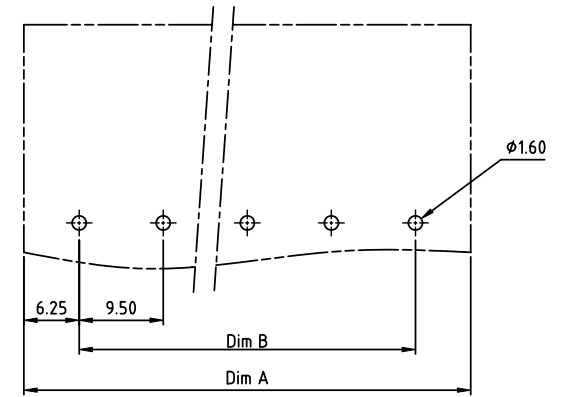
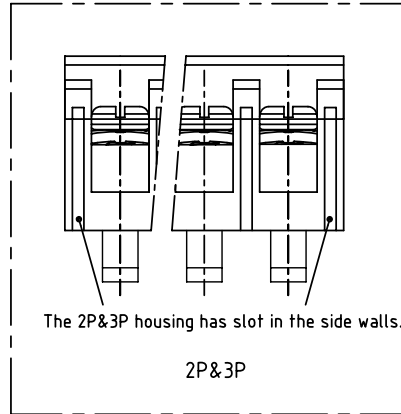
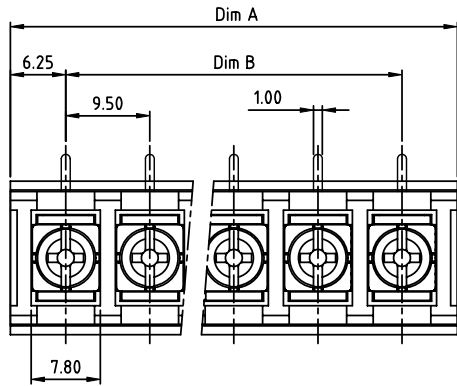
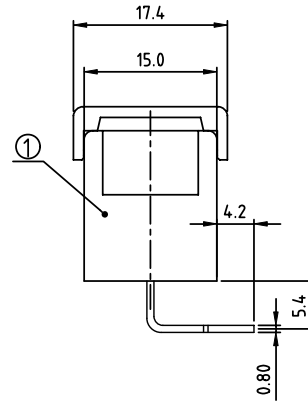
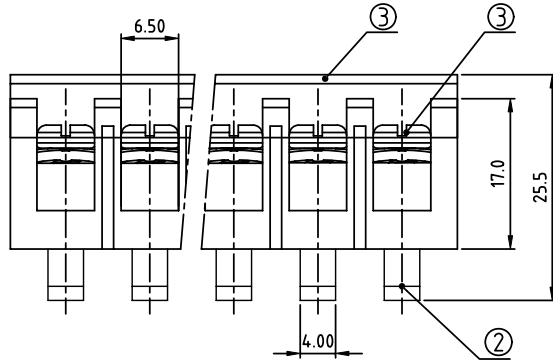


PRODUCT NUMBER	PITCH
YK503xx2x0JOG	9.50 mm



RECOMMENDED P.C.B LAYOUT
TOP VIEW



MATERIALS & ELECTRICAL
 RATED VOLTAGE & CURRENT: 300 V, 20 A
 WITHSTAND VOLTAGE: AC 2000 V/Min
 INSULATION RESISTANCE: 1000 MΩ OR MORE AT DC 500 V
 OPERATING TEMPERATURE RANG: -40 °C ~ +115 °C
 SCREW TORQUE VALUE: 12 Lb-In.
 WIRE RANGE: 22 - 12AWG
 1) HOUSING: THERMOPLASTIC, UL 94 V-0 BLACK
 2) TERMINAL: BRASS, 0.8t
 3) TERMINAL SCREWS: STEEL, M3.5
 4) COVER MATERIAL: PC
 APPROVAL: us

DIMENSION

Dim A	N×9.5±3.0
Dim B	(N-1)×9.5

N=Number of poles

Poles	Tolerance
2p-4p	±0.20
5p-10p	±0.30
11p-24p	±0.40
25p-30p	±0.60

PART NO.: YK 503xx 2 x 0 JOG

No. of poles
 02 2 poles
 03 3 poles
 ...
 30 30 poles

Plated		
Code	Terminal	Screw
0	G/F	G/F
1	G/F	Zinc
2	Tin	G/F
3	Tin	Zinc

RoHS compliant
 (lead<4%)
 In copper Alloy

mat'l. code		surface ASME Y14.5	tolerance ASME Y14.5	projection 	product family TERMINAL BLOCK
ltr	ecn no	dr	date	tolerances unless otherwise specified	title TERMINAL BLOCK
				angles 	BARRIER TYPE, WITH COVER
				X'±1"	scale
				dr EVAN LU 061214	dwg no
				enr EVAN LU 061214	sheet 1 of 1
				chr HANKE FENG 061214	size A4
				appd SHI JUN 061214	YK503xx2x0JOG
sheet index	revision sheet	A	1		type CUSTOMER Drawing