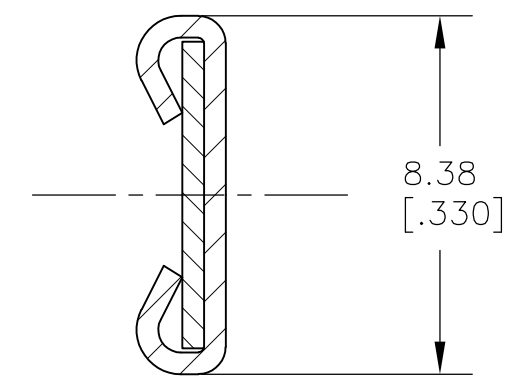
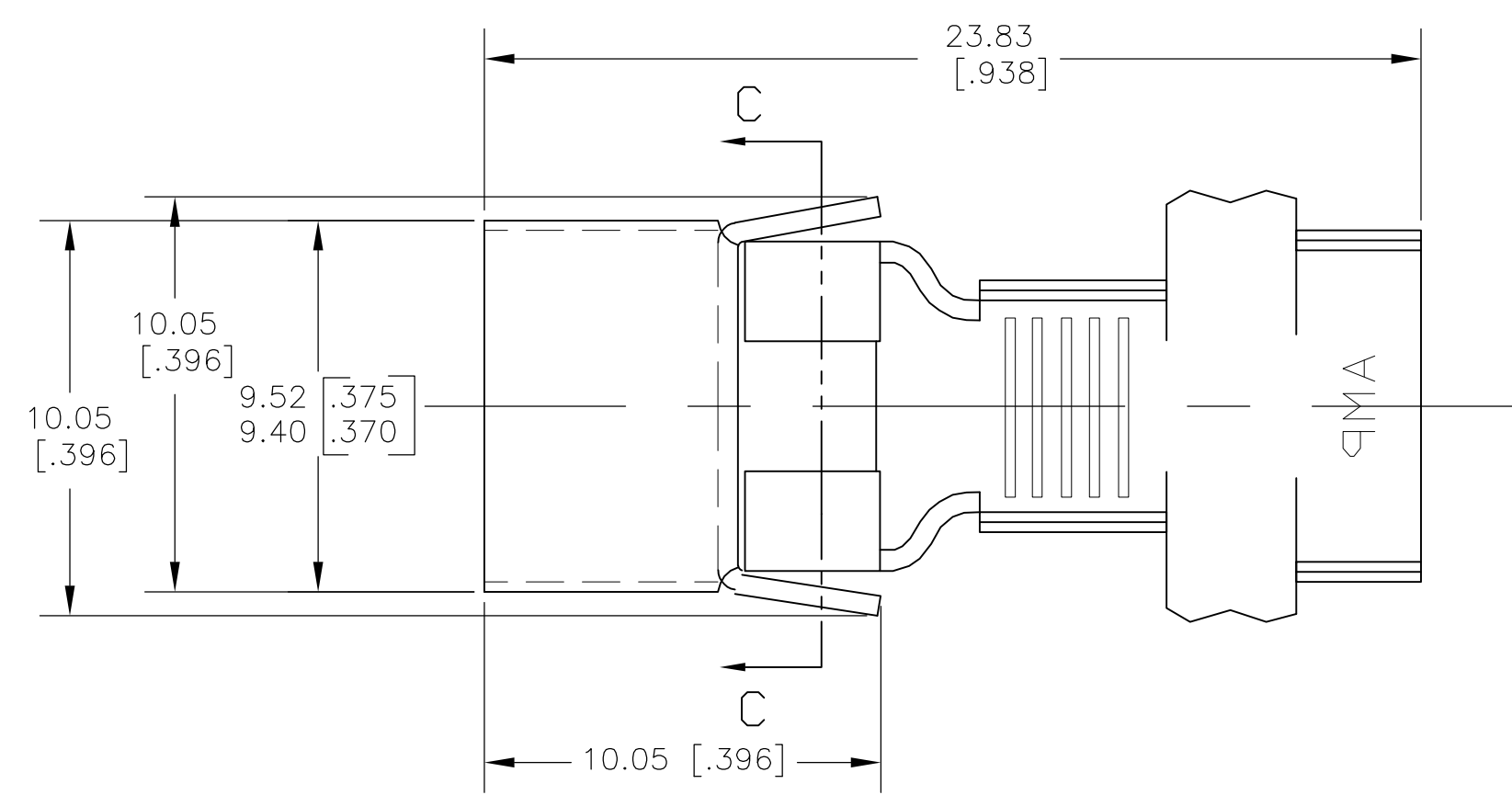
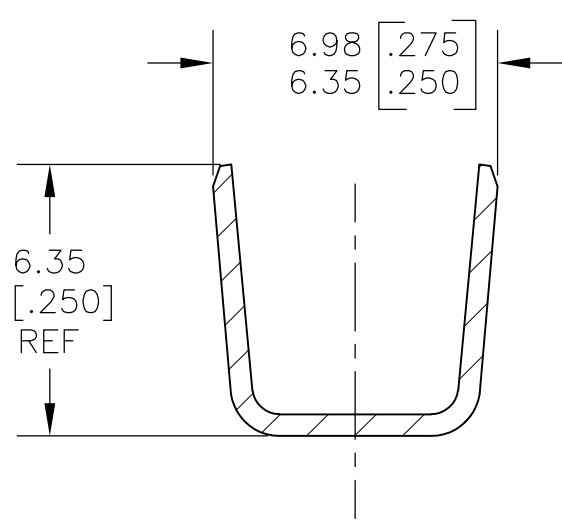
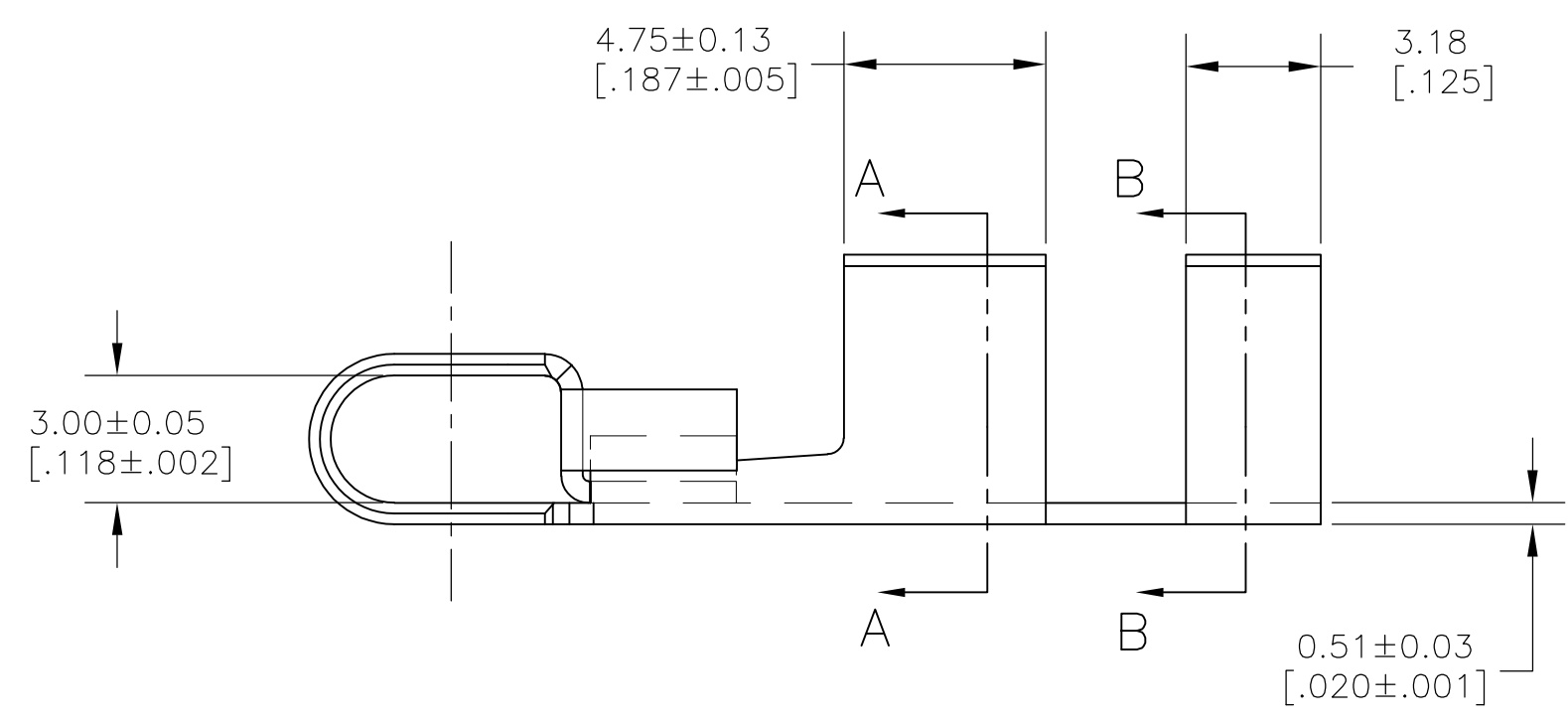


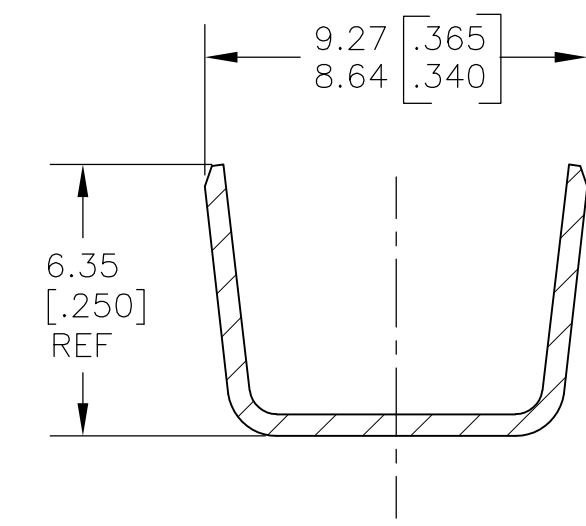
LOC	DIST	REVISIONS			
P	LTR	DESCRIPTION	DATE	OWN	APVD
AF	50	D4	REVISED PER ECO 13-002957	19FEB13	JR GJ



SECTION C-C



SECTION A-A



SECTION B-B

- PRODUCT PROVIDED ON 19.56 [.770] CENTERS, IN STRIP FORM ON REELS. BREAKS MAY BE PRESENT.
- WIRE SIZES [#14-#8 AWG] 2.08mm<sup>2</sup>-8.35mm<sup>2</sup>, STRANDED.
- INSULATION RANGE 1.90-4.32 [.075-.170] DIA
- EXTENDED QUANTITY PACKAGING
- PRE-PRODUCTION - FASR REQUIRED
- PRELIMINARY - NOT FOR PRODUCTION.

4	POST TIN	H02 CuFeP ALLOY	5	1-1742539-3
STANDARD	POST TIN	TMOS CuNiSi ALLOY	6	1742539-4
STANDARD	POST TIN	H02 CuFeP ALLOY	5	1742539-3
STANDARD	PRE-TIN	H02 CuFe ALLOY		1742539-2
STANDARD	POST TIN	H03 CuSnZn ALLOY		1742539-1
Packaging	Finish	Material		Part Number

OBSOLETE

THIS DRAWING IS A CONTROLLED DOCUMENT.

DWN jr ruth 01FEB07	TE Connectivity RECEPTACLE, CLUSTER PIN, .125 DIA
CHK GARY PORTA 01FEB07	
APVD GARY PORTA 01FEB07	
DIMENSIONS: MM[INCHES] TOLERANCES UNLESS OTHERWISE SPECIFIED: 0 PLC ± - 1 PLC ± - 2 PLC ± 0.25 [.010] 3 PLC ± - 4 PLC ± ± 1°	PRODUCT SPEC 108-2388 APPLICATION SPEC 114-13244
MATERIAL SEE TABLE	FINISH SEE TABLE WEIGHT - CUSTOMER DRAWING
SIZE CAGE CODE DRAWING NO RESTRICTED TO A2 00779 1742539 -	
SCALE 6:1 SHEET 1 OF 1 REV D4	