

THIS DRAWING IS UNPUBLISHED. RELEASED FOR PUBLICATION
 © COPYRIGHT BY TYCO ELECTRONICS CORPORATION. ALL RIGHTS RESERVED.

| LOC | DIST | REVISIONS | | | |
|-----|------|-------------|---------------|---------|--------|
| P | LTR | DESCRIPTION | DATE | DWN | APVD |
| AD | 00 | A | ECO 05 003709 | 25MAR06 | BSV MS |

SPECIFICATIONS:
 MAKE-BEFORE-BREAK

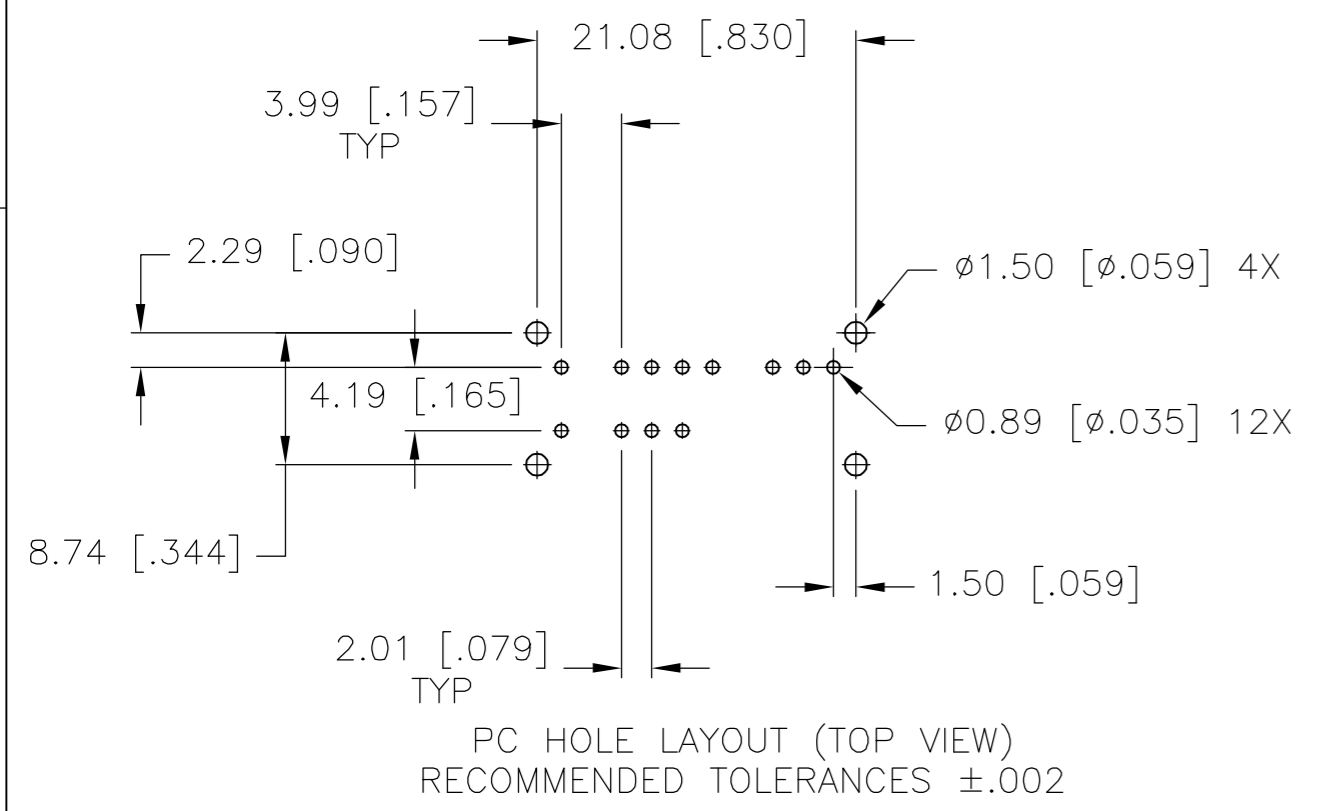
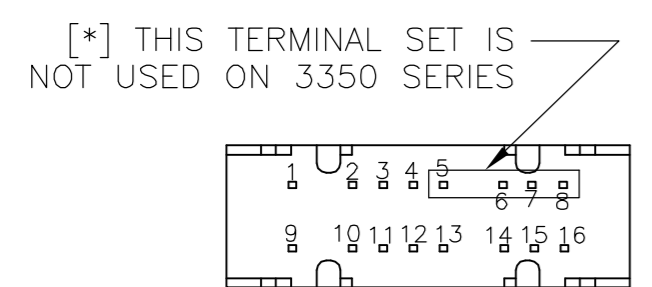
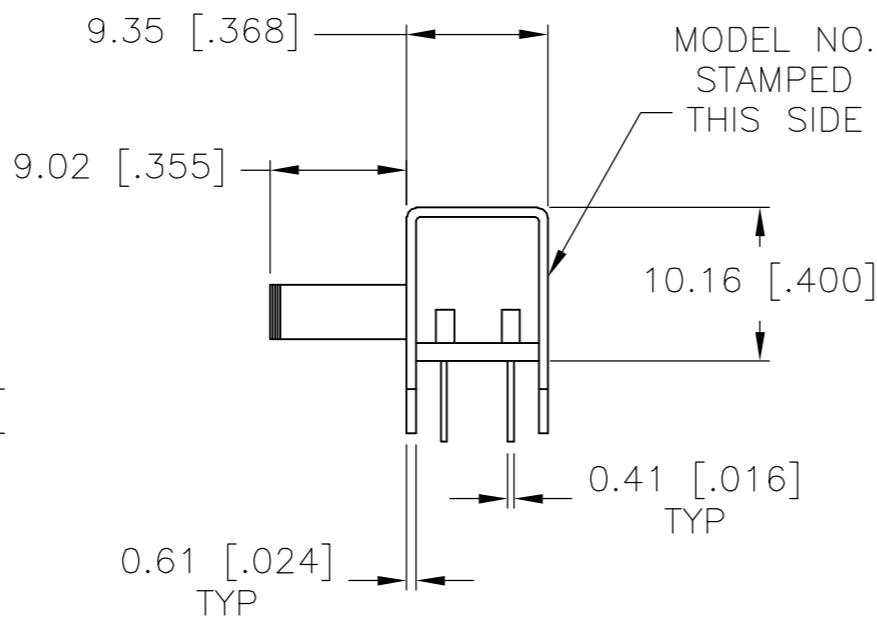
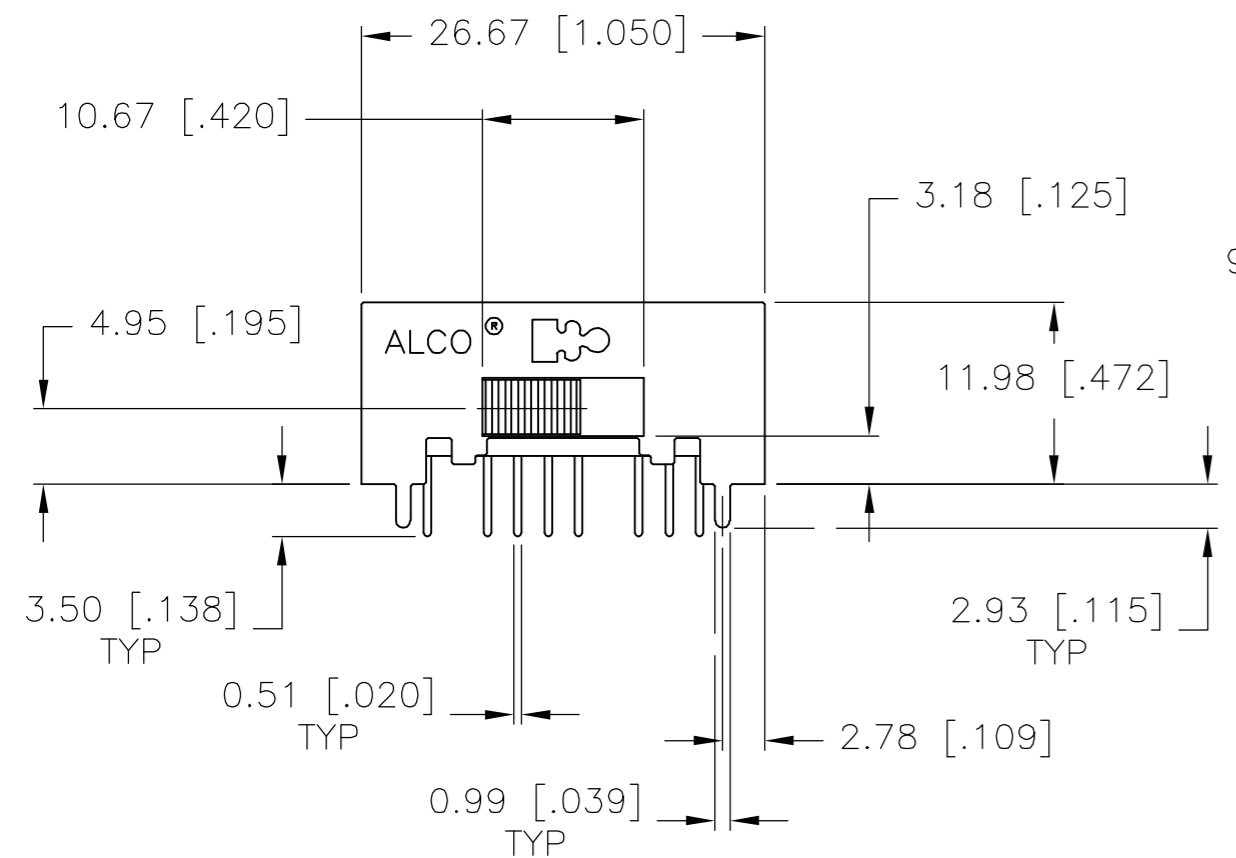
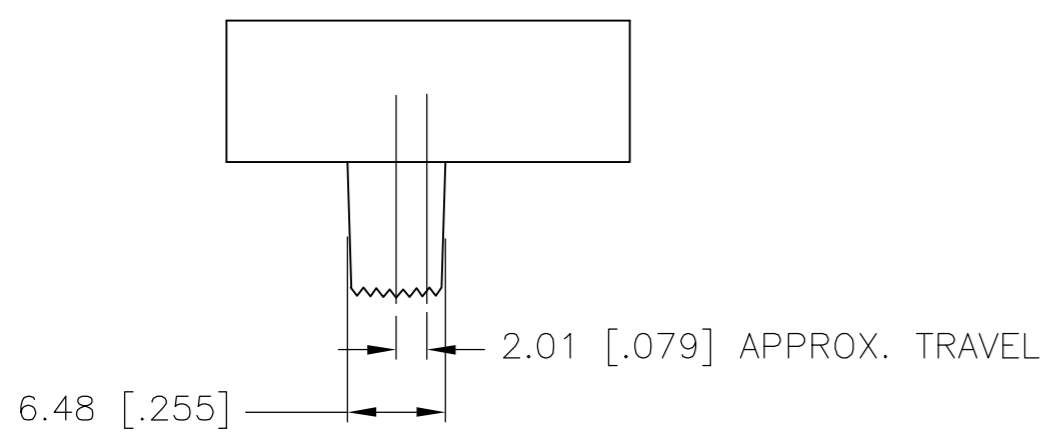
MATERIALS:
 ACTUATOR - NYLON 66 UL94V-0, BLACK
 FRAME - TIN PLATED STEEL
 TERMINAL BOARD - PHENOLIC LAMINATE UL94HB, NATURAL
 TERMINAL (SILVER) - COPPER ALLOY- SILVER OVER NICKEL PLATE
 TERMINAL (GOLD) - COPPER ALLOY- TIN OVER NICKEL PLATE
 FIXED CONTACT (SILVER) - COPPER ALLOY- SILVER OVER NICKEL PLATE
 FIXED CONTACT (GOLD) - COPPER ALLOY-GOLD OVER NICKEL PLATE
 MOVING CONTACT (SILVER) - COPPER ALLOY- SILVER OVER NICKEL PLATE
 MOVING CONTACT (GOLD) - COPPER ALLOY-GOLD OVER NICKEL PLATE
 DETENT BALL - STAINLESS STEEL
 COIL SPRING - TEMPERED STEEL WIRE
 SEAL - EPOXY

ELECTRICAL:
 CONTACT RATING - .4VA@20VDC OR PEAK AC (GOLD)
 300mA@125V AC (SILVER)
 INITIAL CONTACT RESISTANCE - 30milliohm max.
 FINAL CONTACT RESISTANCE - 100milliohm max> (AFTER TEST)
 INSULATION RESISTANCE - 1,000Megohms min."
 DIELECTRIC STRENGTH - 500V RMS@SEA LEVEL
 LIFE EXPECTANCY - 15,000 CYCLES MIN."

MECHANICAL:
 ACTUATION FORCE - 600±300 GRAMS
 TRAVEL - 2.00±0.51[.079±.020]

ENVIRONMENTAL:
 OPERATING TEMPERATURE - -20 TO +85 DEGREES C
 STORAGE TEMPERATURE - -40 TO +100 DEGREES C
 RESISTANCE TO SOLDER HEAT PER 109-202, CONDITION B
 SOLDERABILITY PER EIA- 364-52, CLASS 2, CATEGORY 1, 95% MIN COVERAGE

- NOTES:
 1. ALL MATERIALS AND FINISHES SHALL COMPLY WITH EU DIRECTIVE 2002 95/EC OF 27JAN2003 (ROHS).
 2. ANTI SOLDER WICK SEAL AT TERMINAL TO BOARD INTERFACE.



| ACTUATOR POSITION | CONTACT PLATING | ALCO P/N | TYCO P/N |
|---------------------------|----------------------------|----------------------------|--|
| 1,2 & 5,6 9,10 & 13,14 | 2,3 & 5,7 10,11 & 13,15 | 2,4 & 5,8 10,12 & 13,16 | 4P3T GOLD MSSA4350RG04 1825203-4 |
| 1,2 & 5,6 9,10 & 13,14 | 2,3 & 5,7 10,11 & 13,15 | 2,4 & 5,8 10,12 & 13,16 | 4P3T SILVER MSSA4350R04 1825203-3 |
| 1,2, 9,10 &13,14 | 2,3, 10,11 &13,15 | 2,4, 10,12 &13,16 | 3P3T GOLD MSSA3350RG04 *1825203-2 |
| 1,2, 9,10 &13,14 | 2,3, 10,11 &13,15 | 2,4, 10,12 &13,16 | 3P3T SILVER MSSA3350R04 *1825203-1 |
| | | | TYPE CONTACT PLATING ALCO P/N TYCO P/N |

THIS DRAWING IS A CONTROLLED DOCUMENT. DWN 19SEP96

CHK - C.THEODORE
 APVD -
 PRODUCT SPEC -
 APPLICATION SPEC -

tyco Electronics Tyco Electronics Corporation Harrisburg, PA 17105-3608

NAME SLIDE SWITCH, 3 POS. (MSSA-3350R SERIES)

SIZE A2 CAGE CODE 00779 DRAWING NO C=1825203 RESTRICTED TO -

MATERIAL SEE SPECIFICATIONS FINISH SEE SPECIFICATIONS WEIGHT - CUSTOMER DRAWING SCALE 2:1 SHEET 1 OF 1 REV A