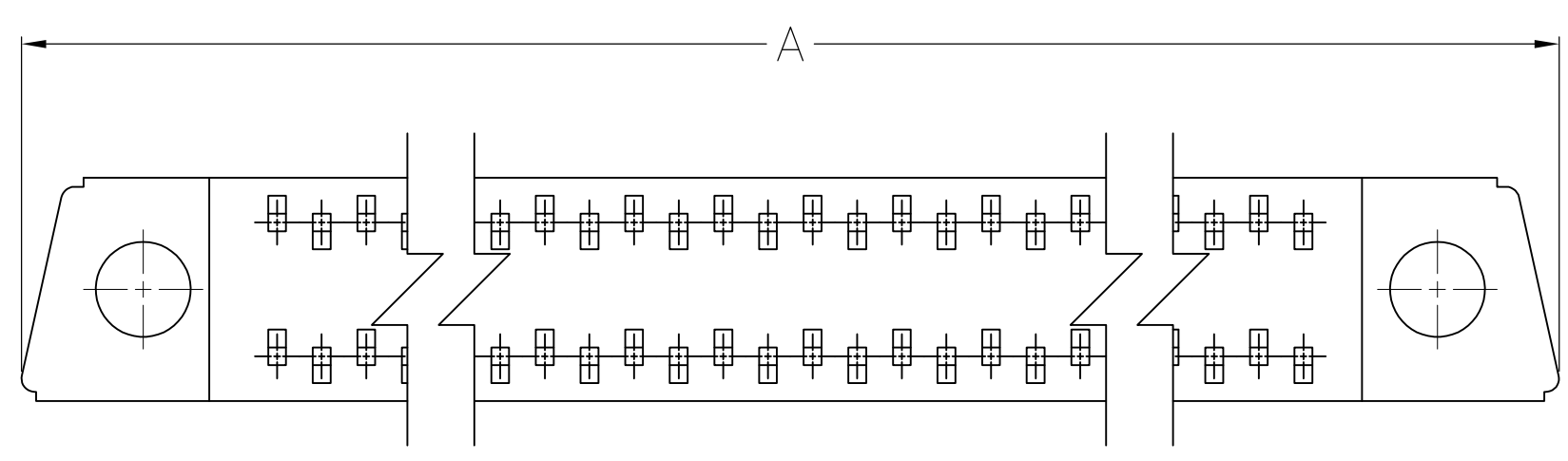
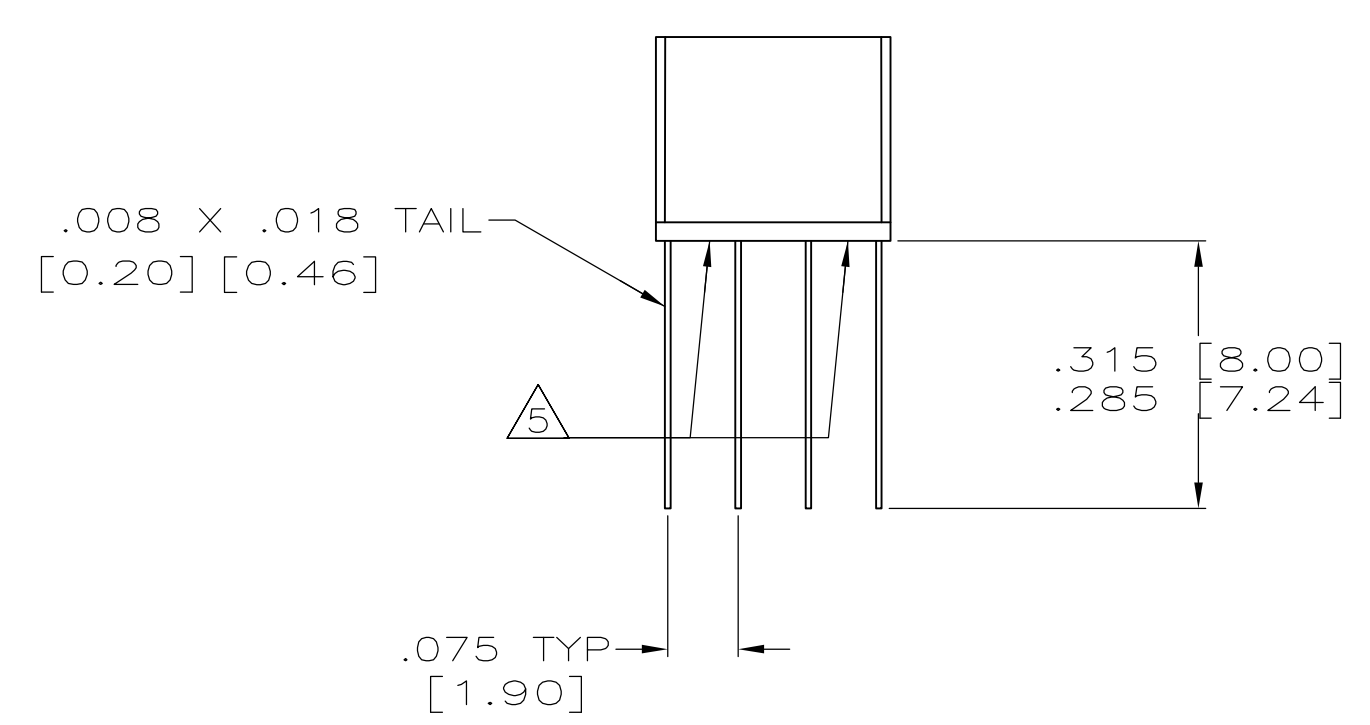
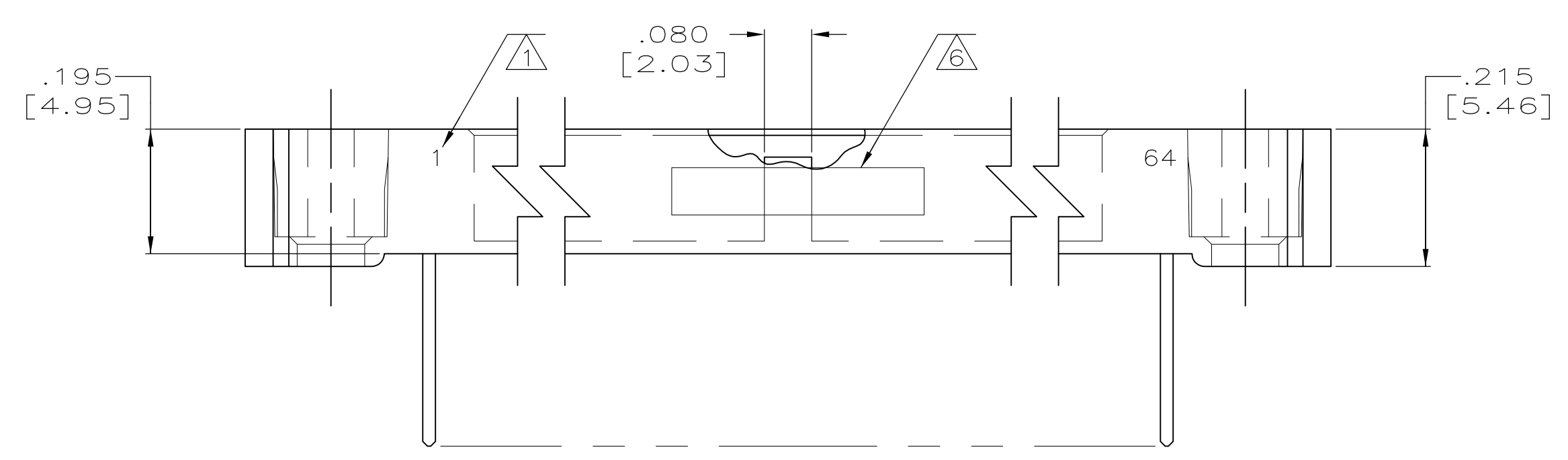
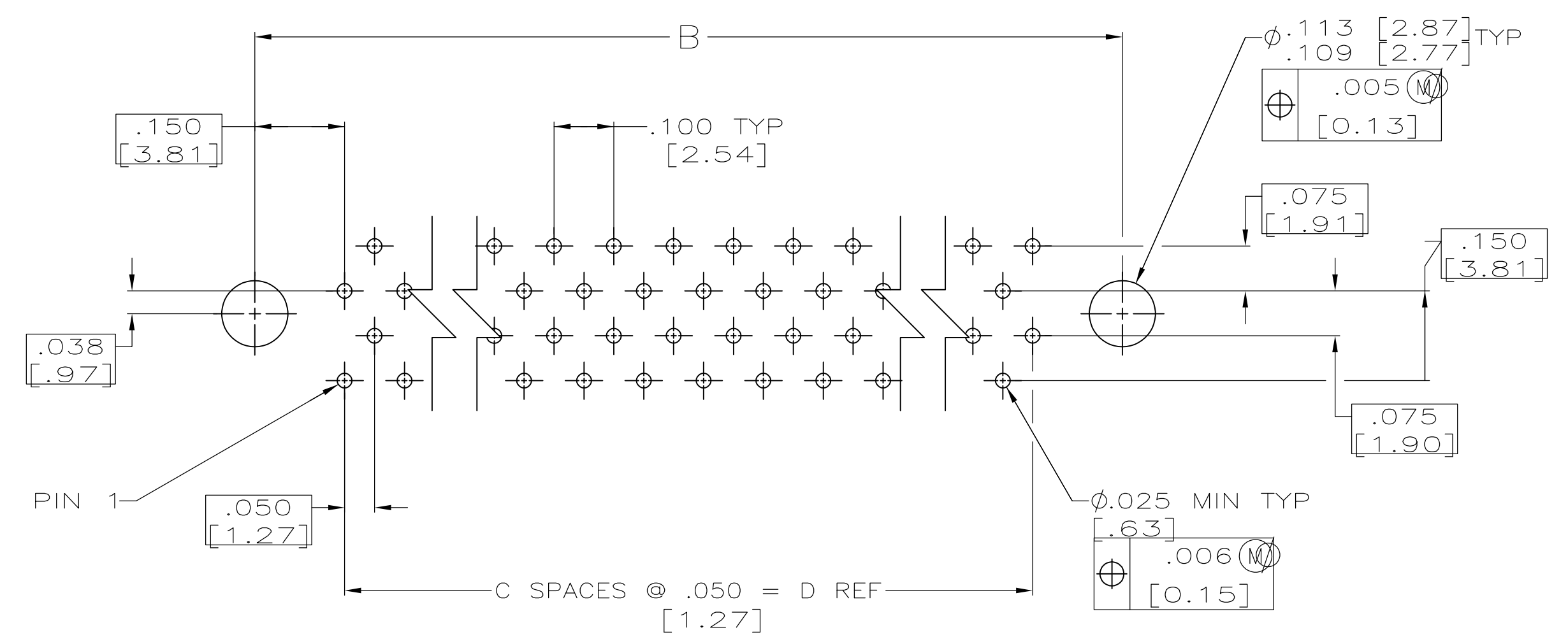
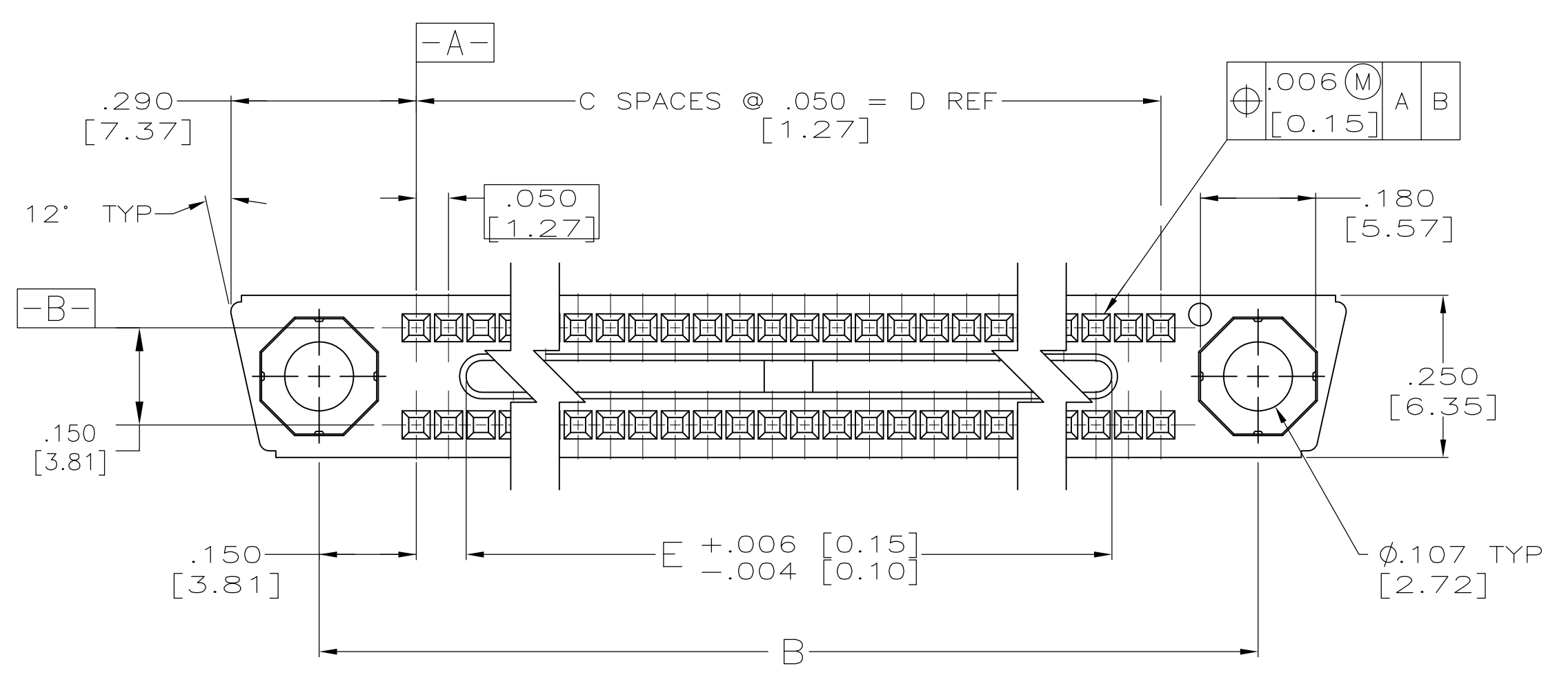


LOC		DIST		REVISIONS			
P	LTR	DESCRIPTION	DATE	DWN	APVD		
E	REV PER	ECO-08-009720	27MAY08	PY	JW		



- 1. NUMBERS INDICATING END POSITIONS MARKED THIS SIDE ONLY.
- 2. MEETS ALL APPLICABLE REQUIREMENTS OF MIL-C-55302.
- 3. HOUSING MATERIAL: LIQUID CRYSTAL POLYMER PER MIL-M-24519, GLCP-30F; COLOR: GRAY.
- 4. .000050 GOLD OVER NICKEL UNDERPLATE IN CONTACT AREA, GOLD FLASH OVER NICKEL UNDERPLATE REMAINDER OF CONTACT.
- 5. EPOXY SEALANT IS ADDED TO BOTTOM OF HOUSING FOR CONTACT RETENSION.
- 6. AMP, PART NUMBER, & DATE CODE MARKED IN THIS APPROXIMATE AREA.

1 - 64	3.000 [76.20]	3.150 [80.01]	63	3.450 [87.63]	3.740 [95.00]	128	534156-1
CONTACT IDENT NUMBERS	E	D	C	B	A	NUMBER OF CONTACTS	PART NUMBER

THIS DRAWING IS A CONTROLLED DOCUMENT.		DWN T. ALEXANDER 11-27-91	Tyco Electronics Corporation Harrisburg, PA 17105-3608
DIMENSIONS: INCHES	TOLERANCES UNLESS OTHERWISE SPECIFIED:	CHK D. GUTTER 1-3-92	
0 PLC ± -	1 PLC ± -	APVD D. GUTTER 1-3-92	NAME
2 PLC ± -	3 PLC ± .005 [0.13]	PRODUCT SPEC	RECEPTACLE ASSEMBLY, MINI-BOX
4 PLC ± -	ANGLES ± -	APPLICATION SPEC	
MATERIAL	FINISH	SIZE	CAGE CODE DRAWING NO
3	4	A1	00779 C=534156
CUSTOMER DRAWING		WEIGHT	RESTRICTED TO
		SCALE 5:1	SHEET 1 OF 1 REV E