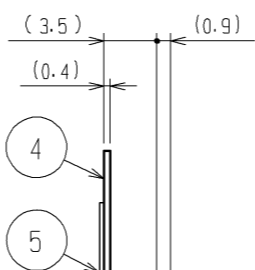
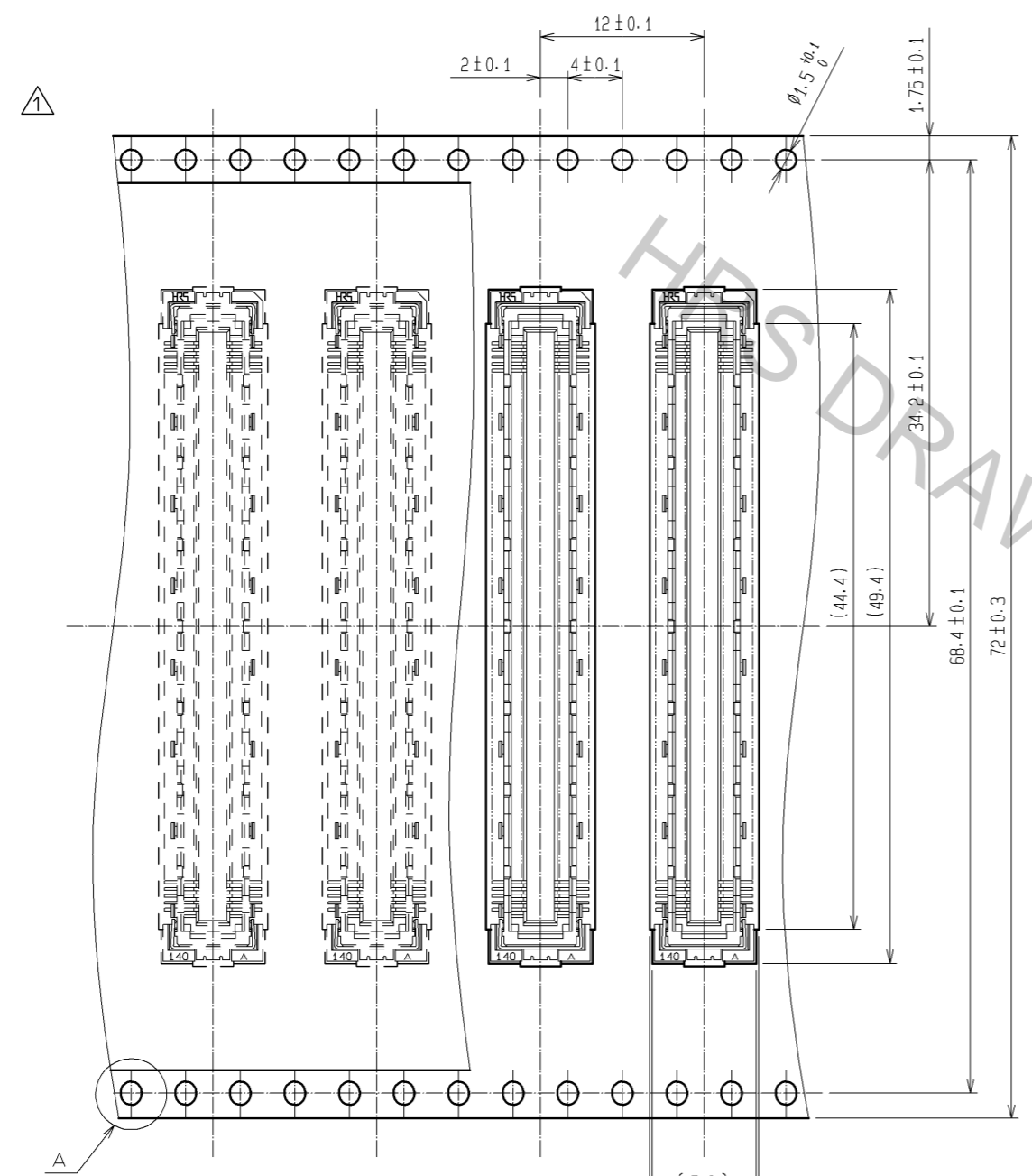
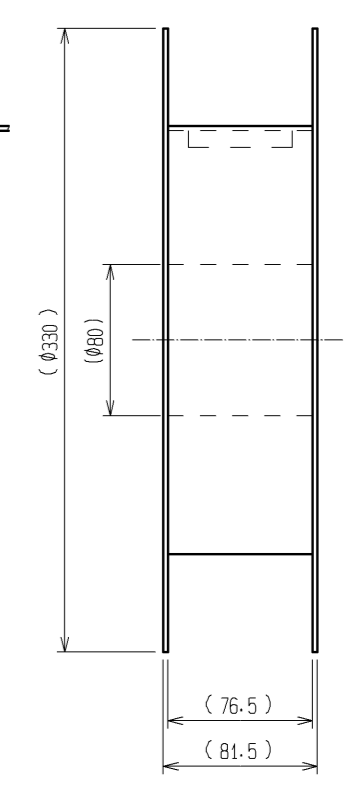
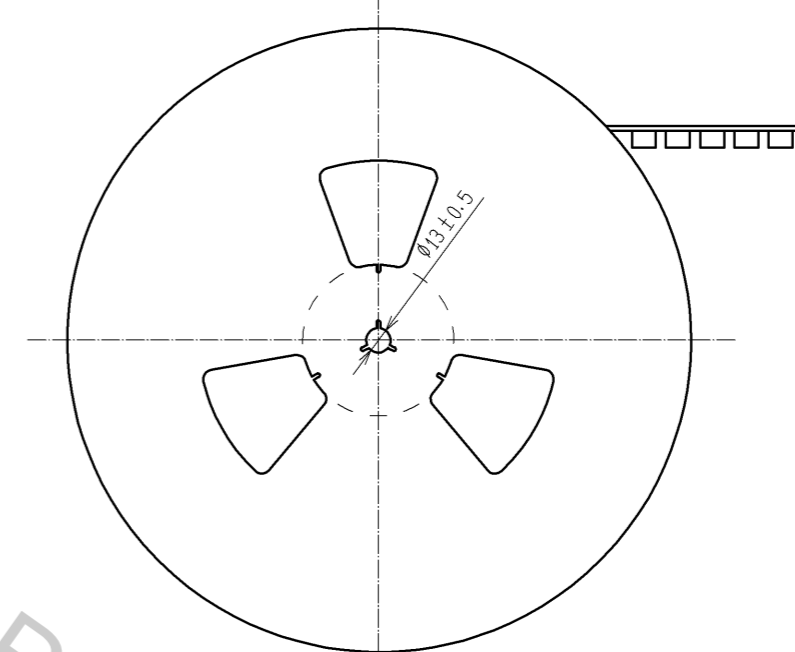




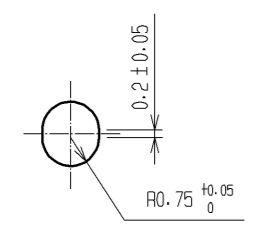
# DRAWING FOR PACKING(2:1)



REELED DIMENSION(FREE)



A (5:1)



- NOTES
- 1 1REEL:1000 CONNECTORS.
  - 2 MINIMUM 10 COMPARTMENTS FROM BOTH REEL ENDS REMAIN EMPTY.
  - 3 THIS PRODUCT HAS NO POLARITY TO TAPE AND REEL PACKAGING.
  - 4 THE DIMENSIONS IN PARENTHESES ARE FOR REFERENCE.

<b>HRS</b>	DRAWING NO.	EDC3-151991-23	2/2
	PART NO.	FX10B-168S-SV(83)	
	CODE NO.	CL570-0254-0-83	