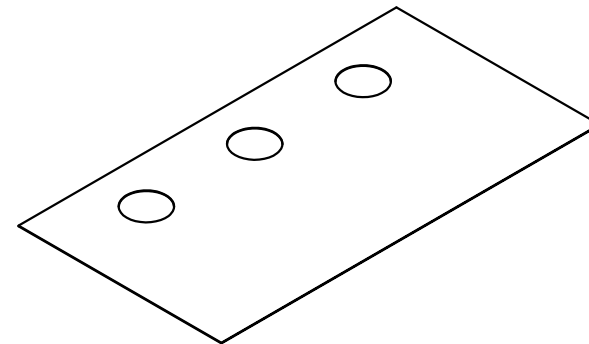
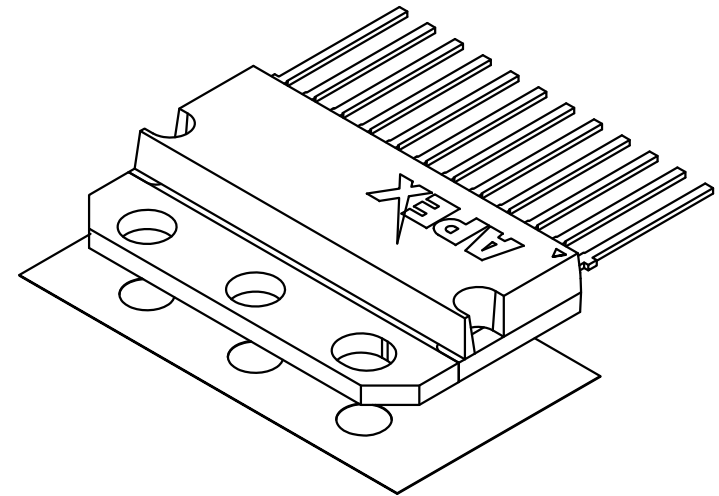


.003
See Notes 2 & 3.



NOTES:

1. Unless otherwise noted, all dimensions are in inches.
2. Film Material: .002 thick Kapton® MT
Dielectric strength – 5200 VAC/mil
3. Interface Material: .0005 thick phase-change thermal compound, both sides.
Maximum shipping & storage temperature – 40°C
Reflow temperature – 60°C
Maximum recommended service temperature – 200°C
4. Thermal impedance: .201 °C/W–in² (1.30 °C/W–cm²) @ 20psi
5. Thermal washers shall be packaged in quantities of 10 with oversize separators between them.
6. Used with SIP package (Apex designators: DX, EU, EW & EX).
7. Power Devices part no. KA-136-07B-APX
8. Supplier is to label each plastic box with the Apex part number.

TOLERANCES - UNLESS OTHERWISE SPECIFIED .XX = ±.01 [.254] .XXX = ±.005 [.127] ANG. = ±5°		TITLE: THERMAL WASHER, SIP				MODEL:	TW12
		SUBJECT: MECHANICAL DRAWING					
ENGINEER: D-M	DRAWN BY: R.MOR	DCAL: 13243	SH. 1	OF 1	FILENAME: TW12	REV: H	DATE: 03JUN13