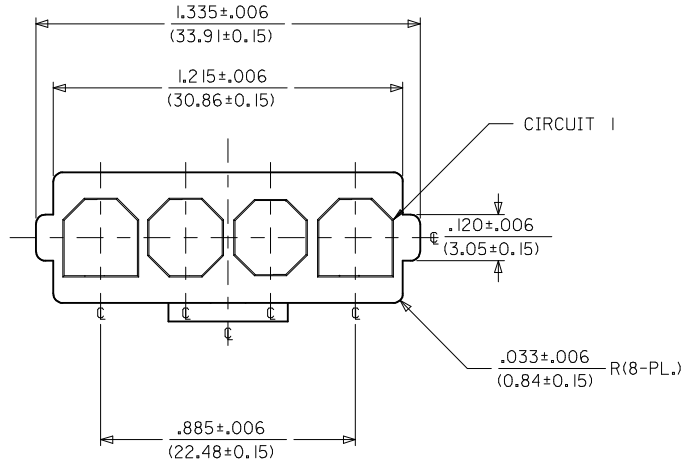
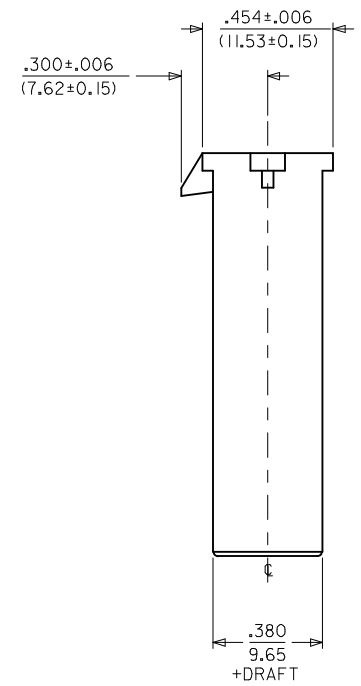
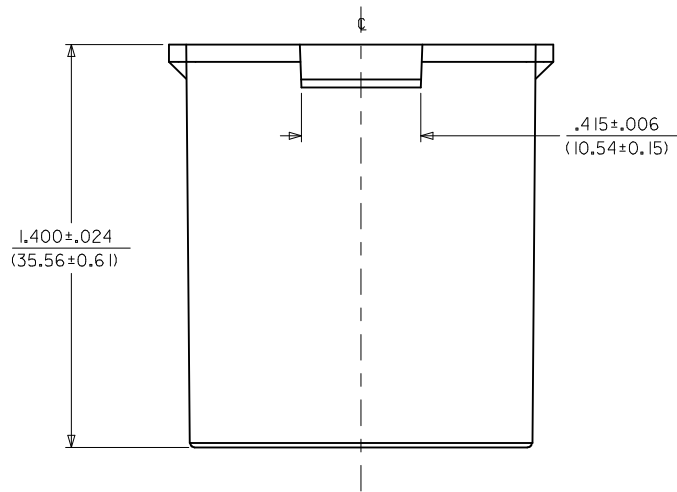


ITEM NUMBER	MATERIAL	COLOR
43680-1004	UL94V-2 NYLON	NATURAL (TRANSLUCENT)
43680-2004	UL94V-0 NYLON	BLACK

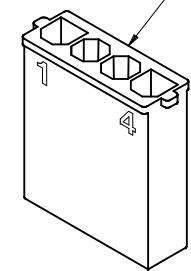


NOTE:

1. MATERIAL: SEE CHART.
2. FINISH: NONE.
3. PRODUCT SPECIFICATION: PSX-44441-9999.
4. PACKAGING: PK-43680-001.
5. THIS CONNECTOR HOUSING FOR USE WITH 43178-**** TERMINALS.
6. THIS CONNECTOR HOUSING WILL MATE TO 43335-****4, 43179-****4 AND 44441-****4 HOUSINGS.
7. PARTS CONFORM TO CLASS B REQUIREMENTS OF COSMETIC SPEC PS-45499-002.



LOCKING NUB IS LOCATED HERE



43680-*004
(NO SCALE)

ADD NOTES 2 & 7 EC NO: UCP2008-0911 DRAWN: PRIDDER 2007/11/15 CHKD: SCHMIDT 2007/11/16 APPR: FSMITH 2007/11/16	QUALITY SYMBOLS ▽=0 ▽=0	GENERAL TOLERANCES (UNLESS SPECIFIED) <table border="1"> <tr> <th></th> <th>mm</th> <th>INCH</th> </tr> <tr> <td>4 PLACES ±</td> <td>---</td> <td>---</td> </tr> <tr> <td>3 PLACES ±</td> <td>---</td> <td>±.010</td> </tr> <tr> <td>2 PLACES ±</td> <td>0.25</td> <td>±.014</td> </tr> <tr> <td>1 PLACE ±</td> <td>0.35</td> <td>±---</td> </tr> </table>		mm	INCH	4 PLACES ±	---	---	3 PLACES ±	---	±.010	2 PLACES ±	0.25	±.014	1 PLACE ±	0.35	±---	DIMENSION STYLE IN/MM	SCALE 4:1	DESIGN UNITS INCH	THIRD ANGLE PROJECTION
		mm	INCH																		
	4 PLACES ±	---	---																		
	3 PLACES ±	---	±.010																		
2 PLACES ±	0.25	±.014																			
1 PLACE ±	0.35	±---																			
DRAFT WHERE APPLICABLE MUST REMAIN WITHIN DIMENSIONS	MATERIAL NO. SEE CHART	DRAWN BY CM	DATE 03/22/96	TITLE 4-CIR. PLUG HOUSING .125/(3.18)X.020/(0.51) SABRE - TPA	MOLEX INCORPORATED	SHEET NO. 1 OF 1															
		CHECKED BY KBP	DATE 03/22/96	APPROVED BY RAS	DATE 03/22/96	DOCUMENT NO. SD-43680-*004															
		MATERIAL NO. SEE CHART		THIS DRAWING CONTAINS INFORMATION THAT IS PROPRIETARY TO MOLEX INCORPORATED AND SHOULD NOT BE USED WITHOUT WRITTEN PERMISSION																	