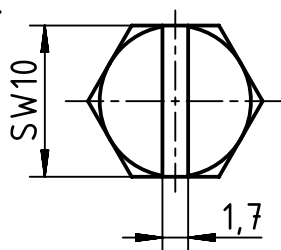
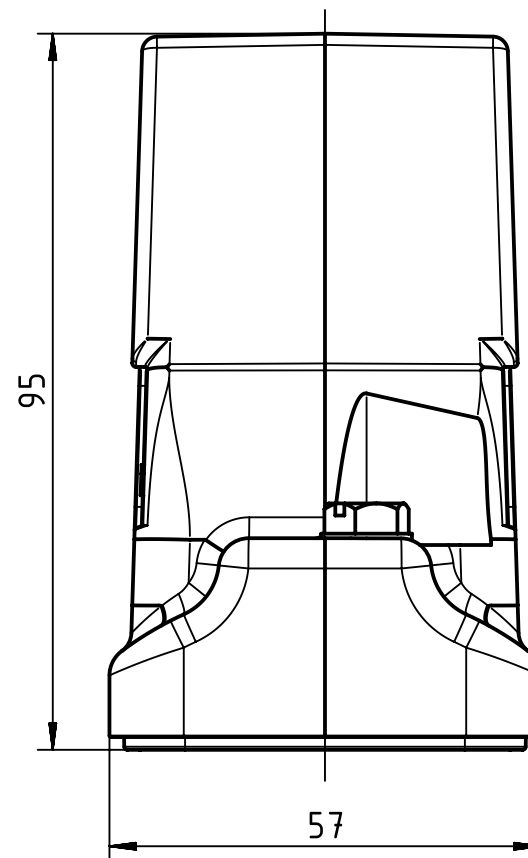
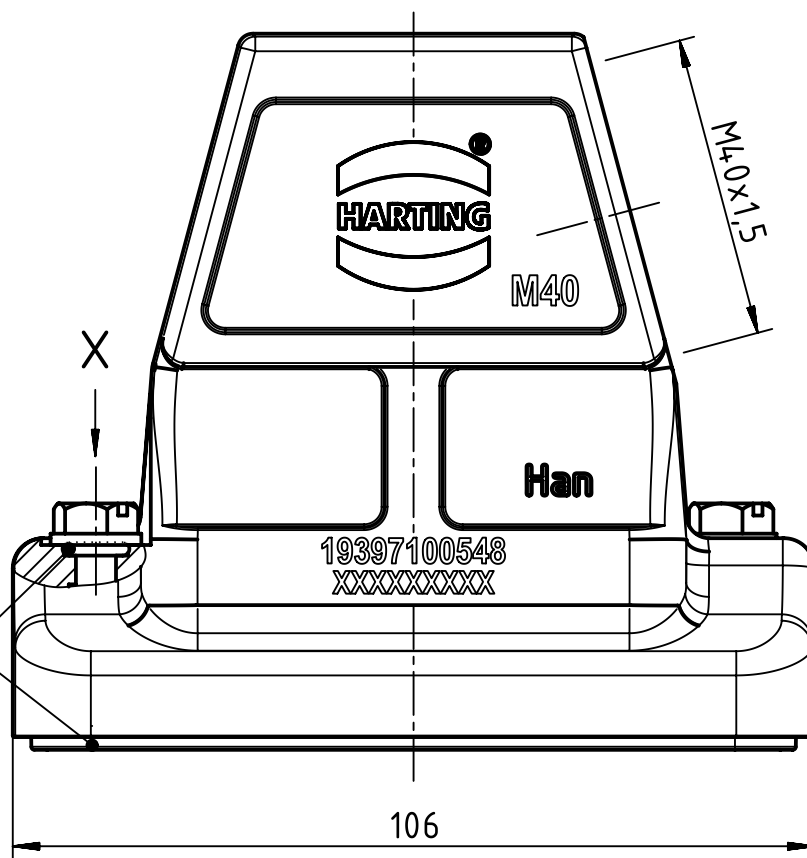
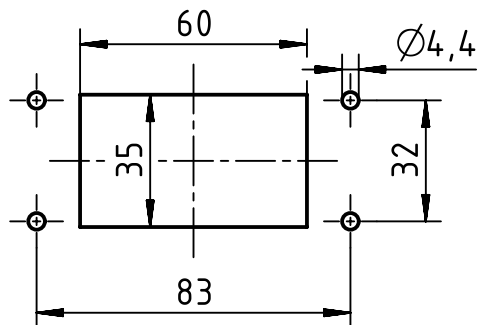


X (2:1)



Panel cut out (1:2)



	All Dimensions in mm Original Size DIN A4		Scale 1:1	Free size tol.		Ref.
	All rights reserved Department EL PD - CN		Created by LONGL	Inspected by WENE	Standardisation SCHMIDTM	Sub.
HARTING (Zhuhai) Manufacturing Co., Ltd. 519085 Zhuhai, China		Title <b>Han 10HP Direct/M-HSE-M40</b>			Date 2017-03-20	State Final Release
Type <b>TB</b>					Number <b>19 39 710 0548</b>	
Doc-Key / ECM-Nr. 100664306/UGD/005/C 500000116977						Rev. <b>C</b>
						Page 1/1