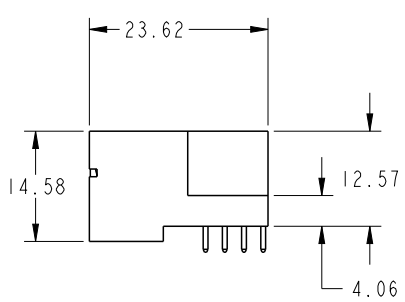
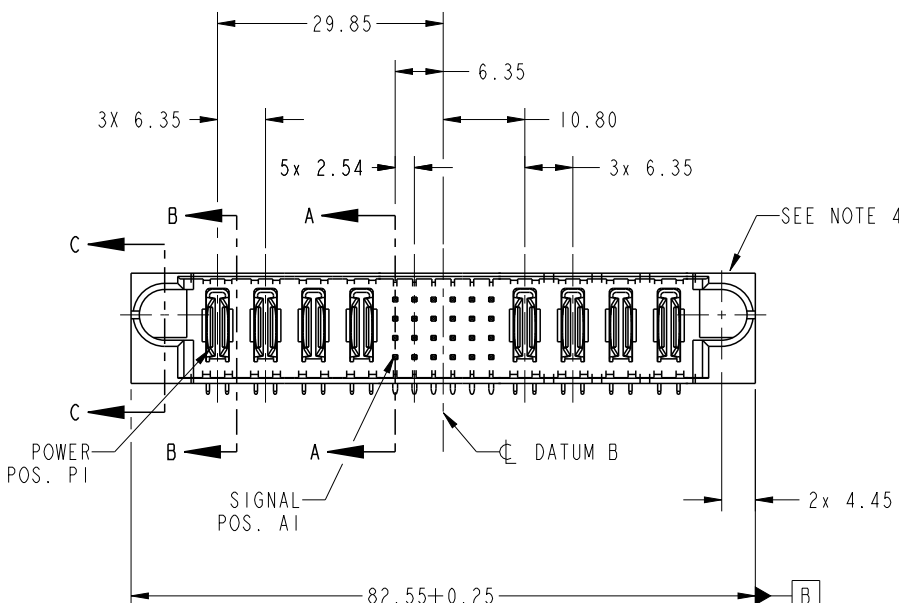


PRODUCT NO.	ROWS	POWER				SIGNAL						POWER				E2	
		E1	P1	P2	P3	P4	1	2	3	4	5	6	P5	P6	P7		P8
51730-205-- NOTE 3	D C B A		PA	PA	PA	PA	UUUUUU	UUUUUU	UUUUUU	UUUUUU	UUUUUU	UUUUUU	UUUUUU	UUUUUU	UUUUUU	UUUUUU	



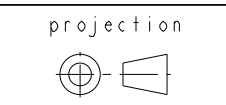
CODE	DIM "M" MATING LENGTH	CONTACT TYPE
U	[6.86]	SIGNAL
T	[6.86]	SIGNAL
S	[6.86]	SIGNAL
R	[6.86]	SIGNAL
H	[5.59]	SIGNAL
PA	[N/A]	POWER



Copyright FCI.

spec ref	*	TOLERANCES UNLESS OTHERWISE SPECIFIED	
tolerance std	SEE NOTE	0.X	±0.5
		0.XX	±0.25
		0.XXX	±0.1
surface	✓	angular	0°
			±2°

dr	Ruan MT	2013/11/04
eng	Ruan MT	2013/11/08
chr	-	-
appr	Pei-Ming Zheng	2013/11/08



projection  
MM

size	A4	scale	1:1
ecn no	-	rel level	Released

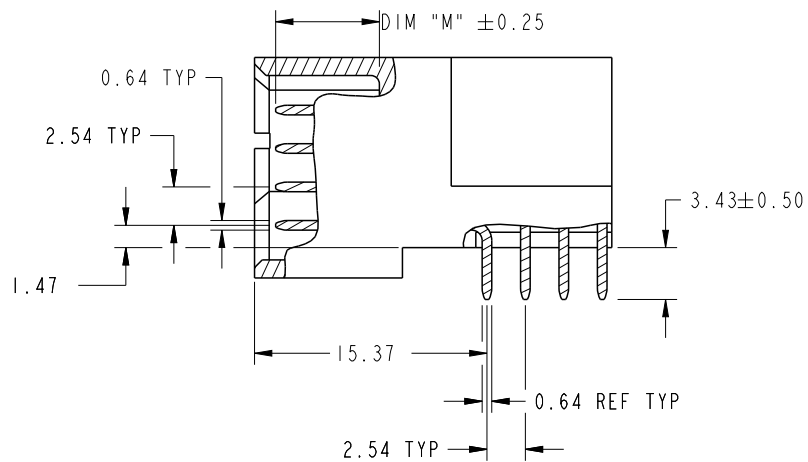


title 4P + 24S + 4P  
RIGHT ANGLE SOLDER HEADER  
cat. no. -

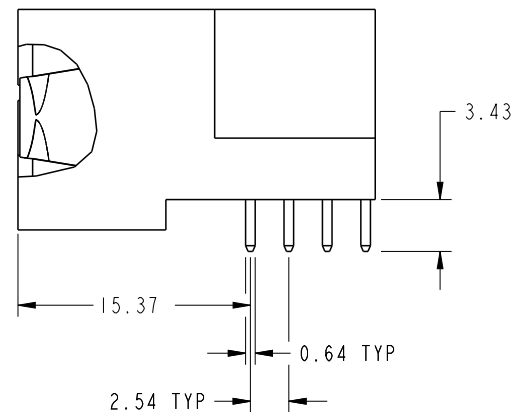
dwg no 51730-205  
rev A  
Product - Customer Drw  
sheet 1 of 4

PRODUCT NUMBER

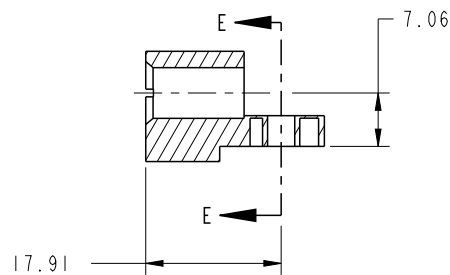
51730-205--  
NOTE: 3



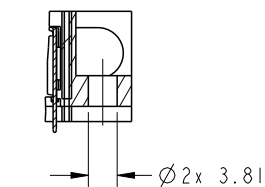
BROKEN-OUT SECTION A-A  
SCALE 2:1



BROKEN-OUT SECTION B-B  
SCALE 2:1



SECTION C-C

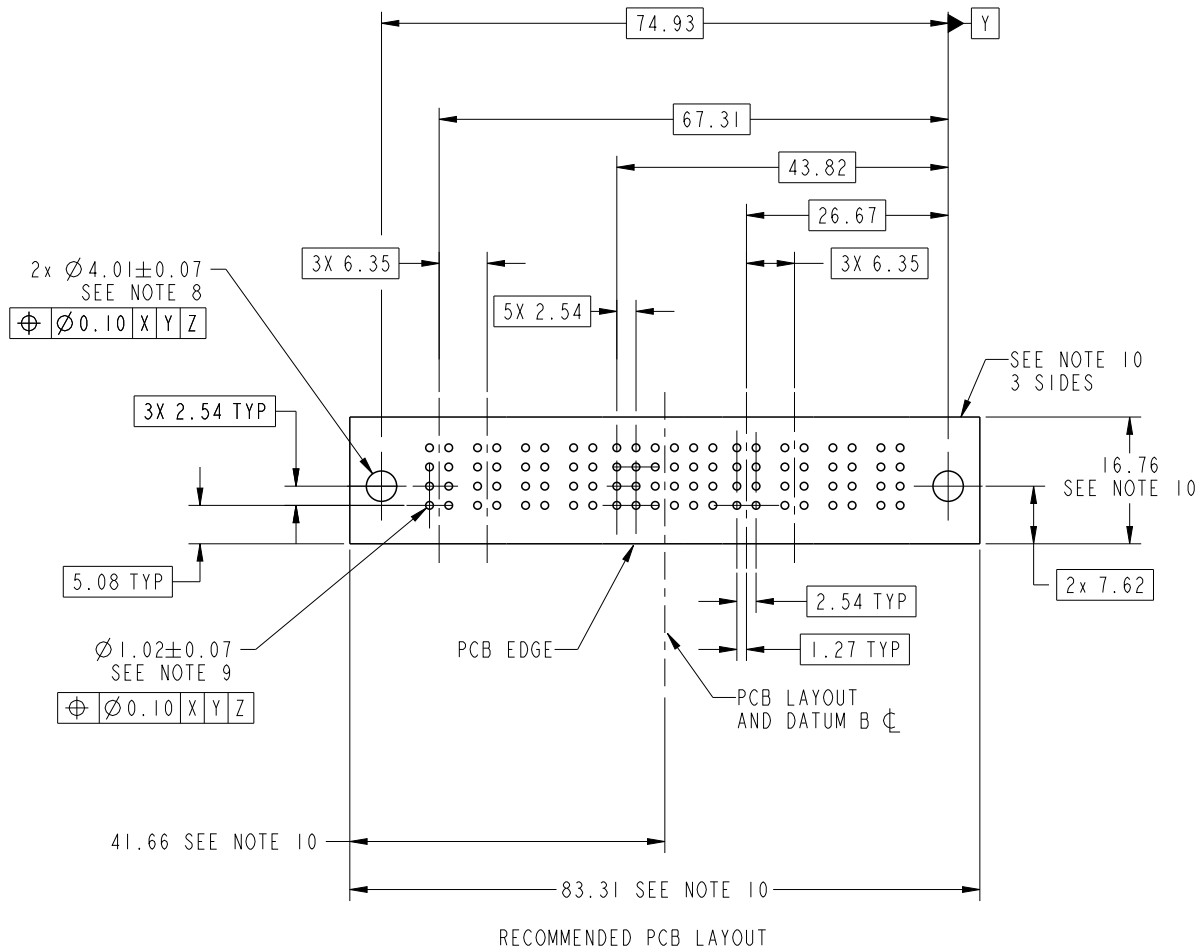


PARTIAL SECTION E-E

dr	Ruan MT	2013/11/04	projection 	MM ←→	size	A4	scale	1:1
eng	Ruan MT	2013/11/08			ecn no	-		
chr	-	-						
appr	Pei-Ming Zheng	2013/11/08	product family	PwrBlade	rel level	Released		
	title	4P + 24S + 4P RIGHT ANGLE SOLDER HEADER		dwg no	51730-205		rev	A
www.fci.com	cat. no.	-	Product - Customer Drw			sheet 2 of 4		

PRODUCT NUMBER

51730-205\_  
NOTE: 3



RECOMMENDED PCB LAYOUT

dr	Ruan MT	2013/11/04	projection 	MM ←→	size	A4	scale	1:1
eng	Ruan MT	2013/11/08			ecn no	-		
chr	-	-			rel level	Released		
appr	Pei-Ming Zheng	2013/11/08	product family	PwrBlade	rev	A		
	title	4P + 24S + 4P RIGHT ANGLE SOLDER HEADER		dwg no	51730-205			
www.fci.com	cat. no.	-	Product - Customer Drw		sheet 3 of 4			

PRODUCT NUMBER

51730-205--  
NOTE: 3

NOTES:

1. DIMENSIONS AND TOLERANCES ARE IN ACCORDANCE WITH ASME Y14.5M, 1994 UNLESS OTHERWISE SPECIFIED.

CONNECTOR NOTES:

- 2. HOUSING MATERIAL: UL 94 V-0 GLASS FILLED HIGH-TEMP THERMOPLASTIC  
POWER CONTACT MATERIAL: COPPER ALLOY  
SIGNAL PIN MATERIAL: COPPER ALLOY
- 3. SEE ITEM 1 & 2 IN PRINT 10064183 FOR PLATING SPEC OF 51730-205 AND 51730-205LF RESPECTIVELY.
- 4. MANUFACTURER'S NAME, DATE CODE AND OPTIONAL P/N TO APPEAR ON THIS SURFACE. THE MARK CAN BE OMITTED IF THERE IS NOT ENOUGH SPACE ON THIS SURFACE.
- 5. PRODUCT SPECIFICATION GS-12-149.  
APPLICATION SPECIFICATION BUS-20-067.
- 6. PACKAGED IN TRAYS.

PCB NOTES:

- 7. ALL HOLE DIAMETERS ARE FINISHED HOLE SIZE.
- 8. MOUNTING HOLES, WHERE APPLICABLE, ARE UNPLATED.
- 9.  $\varnothing 1.151 \pm 0.025$  DRILLED HOLES PLATED WITH  
0.008 MIN SnPb OR Sn OVER 0.03  
TO 0.08 Cu PLATING TO ACHIEVE  
 $\varnothing 1.02 \pm 0.07$  HOLE.
- 10. CONNECTOR KEEP-OUT ZONE.



Copyright FCI.

dr	Ruan MT	2013/11/04	projection 	MM 	size	A4	scale	1:1
eng	Ruan MT	2013/11/08			ecn no	-		
chr	-	-			rel level	Released		
appr	Pei-Ming Zheng	2013/11/08	product family	PwrBlade	rev	51730-205	A	
		title	4P + 24S + 4P RIGHT ANGLE SOLDER HEADER		dwg no	51730-205	rev	A
www.fci.com	cat. no.	-	Product - Customer Drw			sheet 4 of 4		