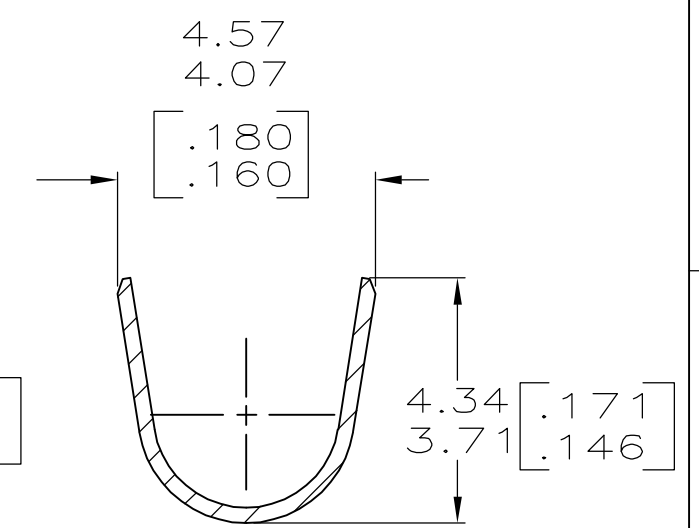
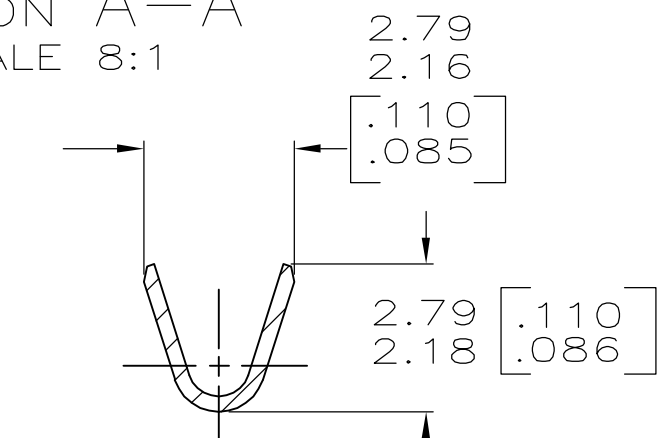
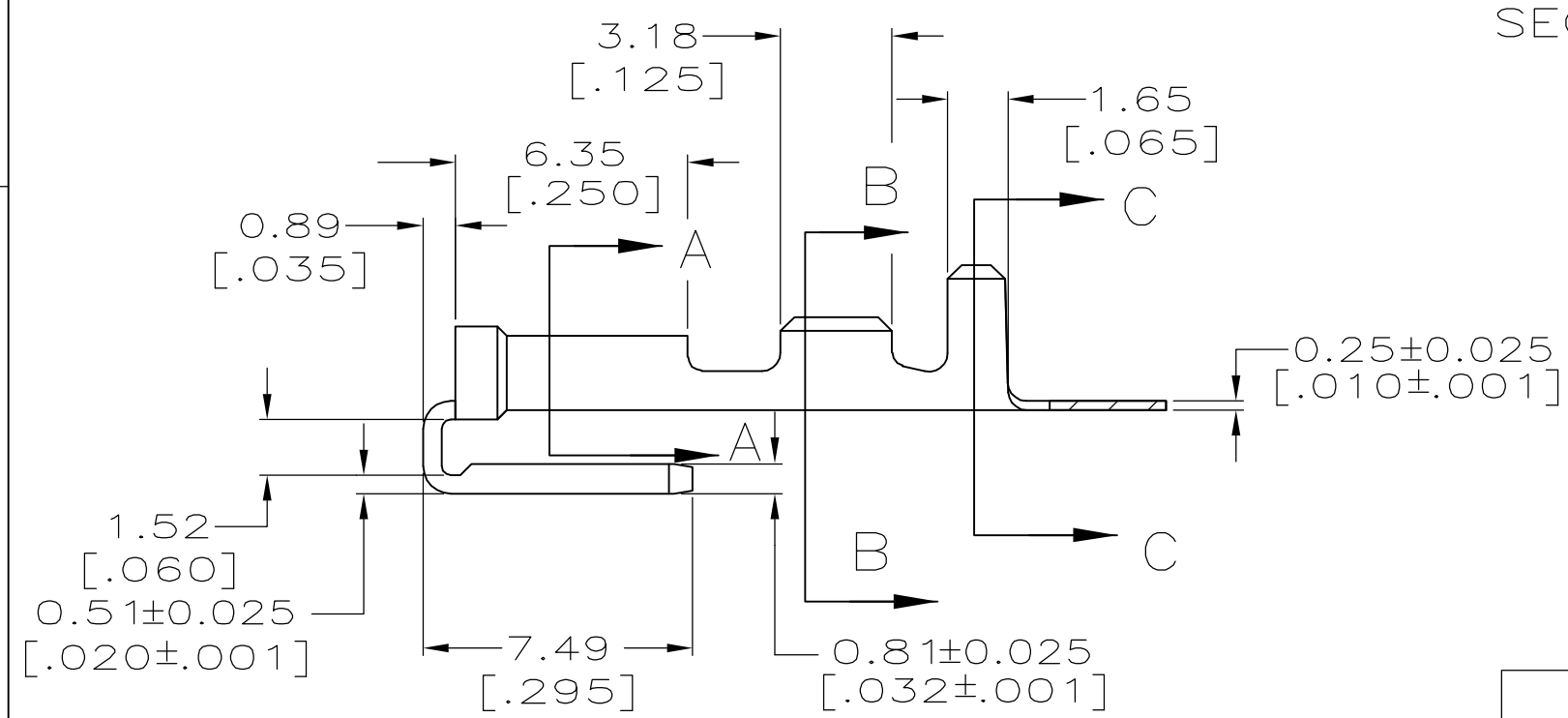
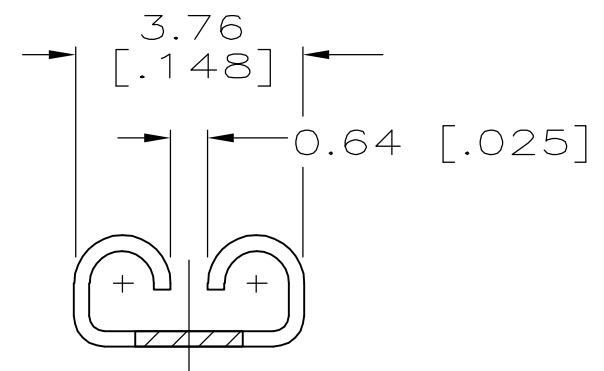
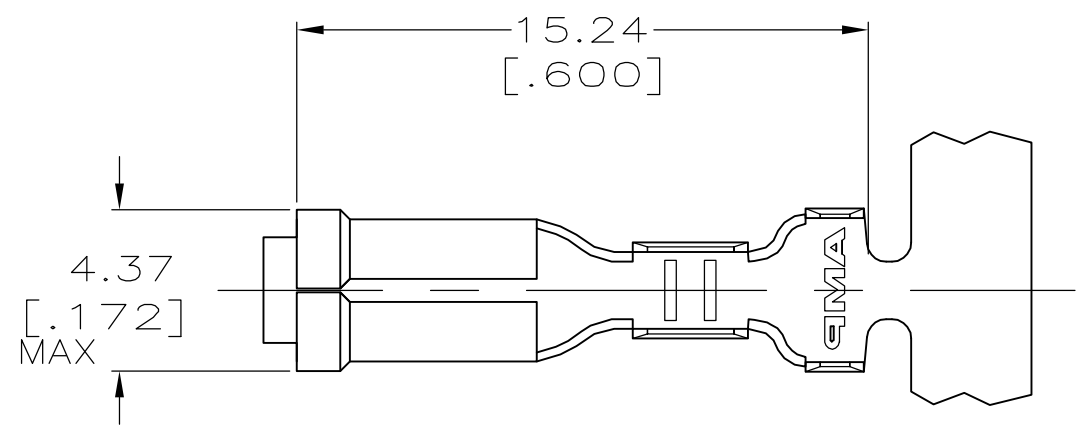


THIS DRAWING IS UNPUBLISHED. RELEASED FOR PUBLICATION
 © COPYRIGHT - BY TYCO ELECTRONICS CORPORATION. ALL RIGHTS RESERVED.

LOC	DIST	REVISIONS					
AF	50	P	LTR	DESCRIPTION	DATE	DWN	APVD
			A1	REV PER ECR 06-027796	28NOV06	JR	PD

- 1 CONTINUOUS STRIP ON REELS.
- 2 FIRST INSERTION 10 LBS MAX.
FIRST EXTRACTION 2 LBS MIN.
USE TEST TAB 62061-2



2.03-3.05 DIA [.080-.120] DIA	[#22-#18] AWG	0.81±0.025 [.032±.001]	1217145-1
INSULATION RANGE	WIRE SIZE	MATING TAB THICKNESS	PART NO.

THIS DRAWING IS A CONTROLLED DOCUMENT.		DWN JR RUTH 18MAR99	Tyco Electronics Corporation Harrisburg, PA 17105-3608	
DIMENSIONS: MM [INCHES]		CHK MS FEHER 18MAR99		
TOLERANCES UNLESS OTHERWISE SPECIFIED:		APVD D BRATINA 18MAR99	NAME RECEPTACLE, FASTON, PIGGYBACK, 2.79 [.110] SERIES	
0 PLC ± - 1 PLC ± - 2 PLC ± 0.25 [.010] 3 PLC ± - 4 PLC ± - ANGLES ± -		PRODUCT SPEC -	APPLICATION SPEC -	
MATERIAL H04 BRASS		FINISH 0.002032 [.000080] MIN TIN	114-2082	RESTRICTED TO -
		WEIGHT -	SIZE A3	CAGE CODE 00779
		CUSTOMER DRAWING	DRAWING NO C-1217145	RESTRICTED TO -
		SCALE 5:1	SHEET 1 OF 1	REV A1