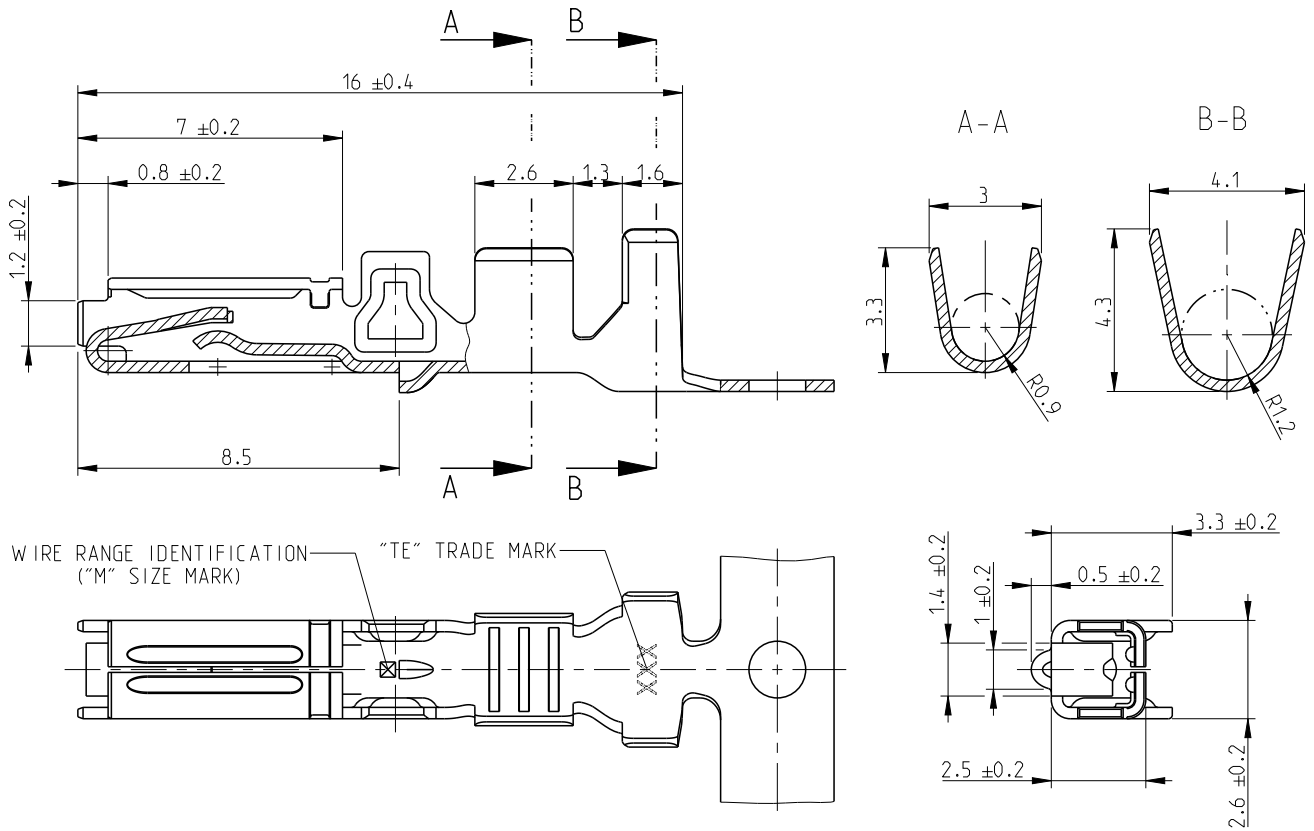


REVISIONS					
P	LTR	DESCRIPTION	DATE	DWN	APVD
	A3	Redrawn to Creo	08MAR2017	JJH	JP



1. DELIVERY STATE: ITEM IS SUPPLIED REELED ON CARTON REEL WITH STRIP PITCH = 11.9±0.2mm
 STATO DI FORNITURA: AVVOLTI SU BOBINA CON PASSO TRA TERMINALI DI = 11.9±0.2mm

CUSTOMER DRAWING FOR INFORMATION ONLY
 DISEGNO PER CLIENTE SOLO PER RIFERIMENTO

THIS DRAWING IS UNPUBLISHED. BY - ALL RIGHTS RESERVED. COPYRIGHT © 20

A3

INS. DIA. RANGE (DIAM. ISOLANTE)	WIRE RANGE (RANGO FILO)
∅1.9 - 2.4mm	0.75 - 1.5mm ²

PRE-TIN (PRE-STAGNATO)	BRONZO FOSF. (PHOS. BRONZE)	284088-2
PRE-TIN (PRE-STAGNATO)	BRASS (OTTONE)	284088-1
FINISH/COLOUR (FINITURE/COLORE)	MATERIAL (MATERIALE)	PART NUMBER

DIMENSIONS: mm	DWN Q. CANUTO 17 JUL 1996	MATERIAL -	FINISH -								
TOLERANCES UNLESS OTHERWISE SPECIFIED:	CHK A. BRUNI 17 JUL 1996										
<table border="1"> <tr> <td>PLC</td> <td>±</td> </tr> <tr> <td>1 PLC</td> <td>±</td> </tr> <tr> <td>2 PLC</td> <td>±</td> </tr> <tr> <td>3 PLC</td> <td>±</td> </tr> <tr> <td>4 PLC</td> <td>±</td> </tr> </table> ±0.3	PLC			±	1 PLC	±	2 PLC	±	3 PLC	±	4 PLC
PLC	±										
1 PLC	±										
2 PLC	±										
3 PLC	±										
4 PLC	±										
ANGLES ±2°	PRODUCT SPEC 108-20175	NAME MULTILOCK .070 SRS REC. CONTACT FOR NEW GENERATION CONNECTOR									
	APPLICATION SPEC 114-20098	SIZE A4	CAGE CODE -								
	WEIGHT -	DRAWING NO C=284088	RESTRICTED TO -								
	CUSTOMER DRAWING	SCALE 5:1	SHEET 1 OF 1								
			REV A3								